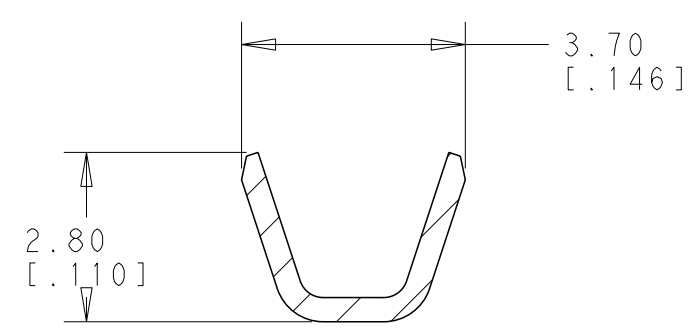
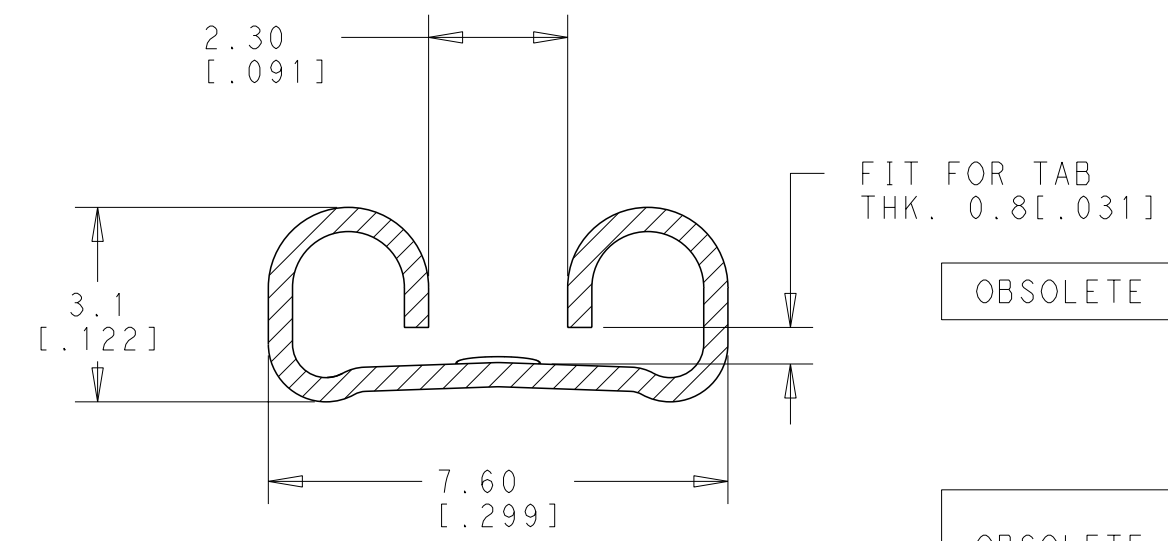
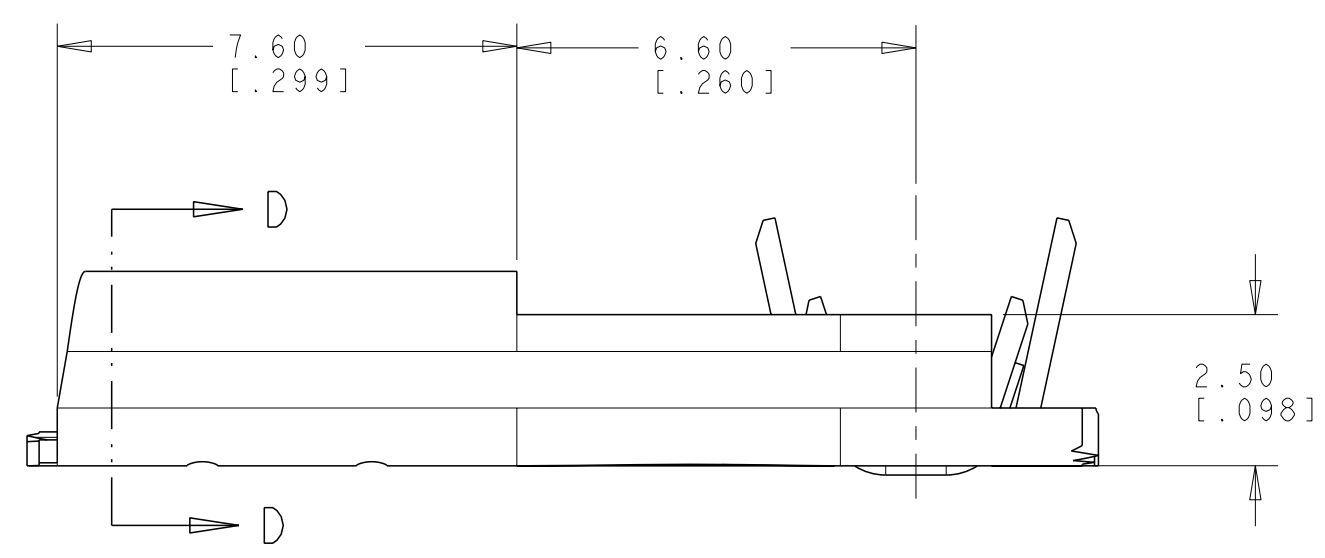
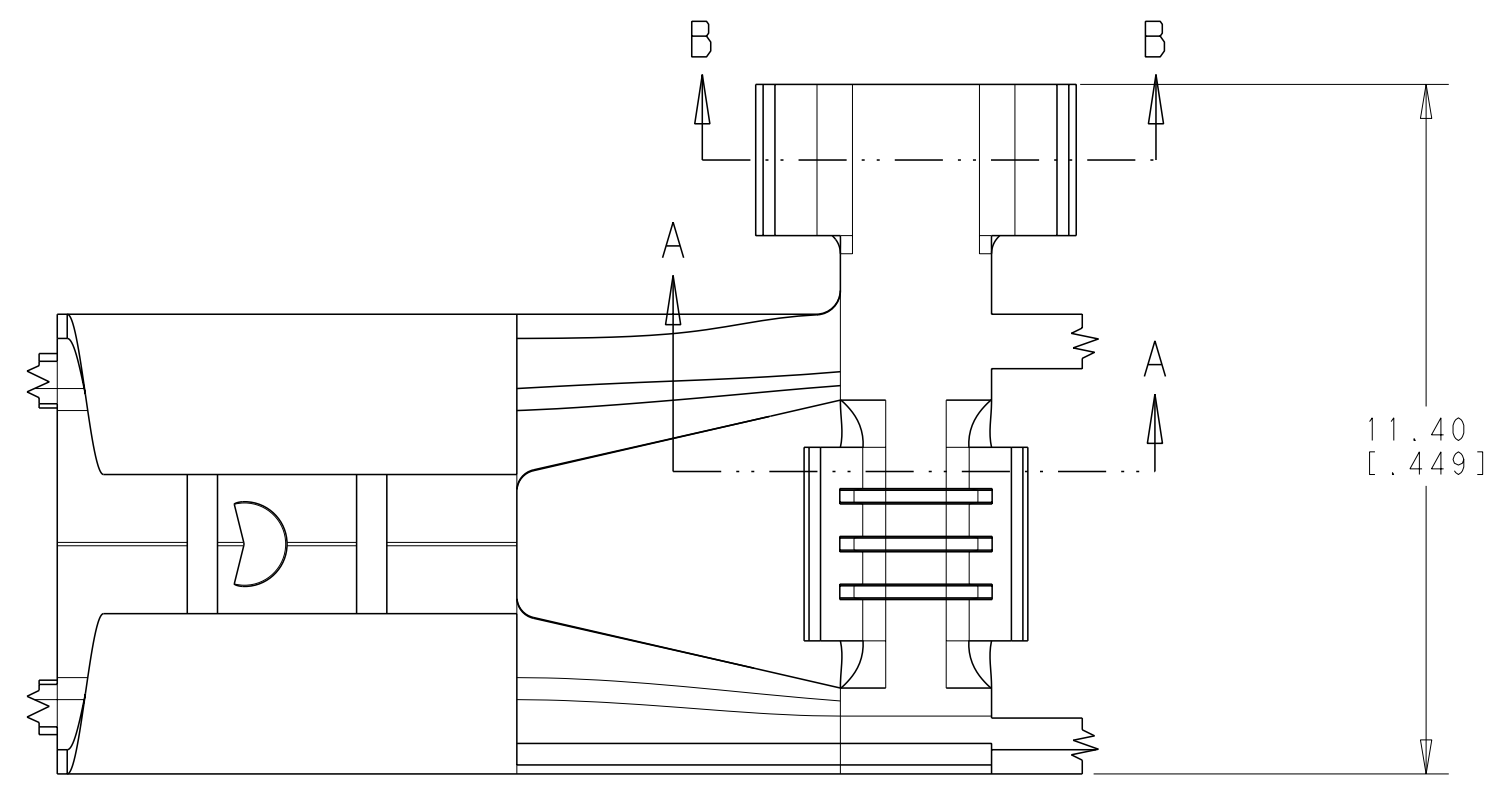
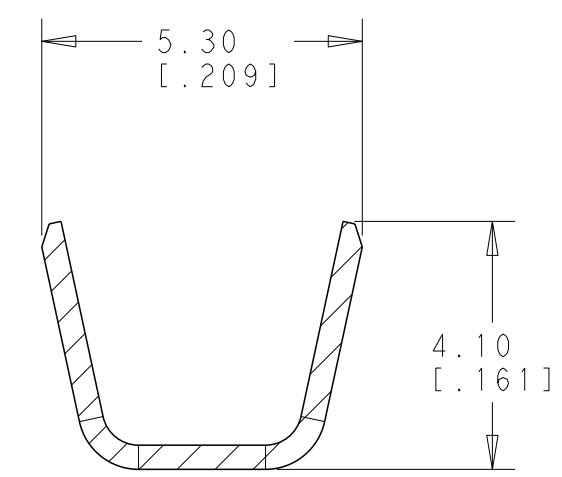


THIS DRAWING IS UNPUBLISHED. RELEASED FOR PUBLICATION 20  
 © COPYRIGHT 20 BY - ALL RIGHTS RESERVED.

REVISIONS				
P	LTR	DESCRIPTION	DATE	APVD
	BE	REVISED PER ECR-15-005258	02APR2015	NK DC
	BE1	REVISED PER ECR-17-007358	26MAY2017	RS FV



SECTION A-A  
SCALE 8:1



SECTION B-B  
SCALE 8:1

- 1 NON DISPONIBILE DALL' AMP ITALIA (NOT AVAILABLE FROM AMP ITALY)
- 2 ADATTO PER AMP-O-MATOR (REVERSE REELED FOR MINI APPLICATOR)
- 3 BOBINA IN CARTONE CON CARTA INTERPOSTA QUANTITA' PER BOBINA: 3000 (CARTON REEL WITH INTERPOSED PAPER STRIP Q.TY PER REEL: 3000)
- 4 CON SPECIALE RIVESTIMENTO IN CARTA (WITH SPECIAL PAPER COVER)
- 5 BOBINA IN CARTONE CON CARTA INTERPOSTA QUANTITA' PER BOBINA: 2500 (CARTON REEL WITH INTERPOSED PAPER STRIP Q.TY PER REEL: 2500)
- 6 OBSOLETE
- 7 BOBINA IN CARTONE QUANTITA' PER BOBINA: 7000 (CARTON REEL Q.TY PER REEL: 7000)
- 8 OBSOLETE PARTS: OBSOLETE CIS STREAMLINING PER D.RENAUD/D.SINISI

OBSOLETE	2 1 7 6	ST. (TIN PLTD)	BR. F. (PH. BR.)	4-280050-7
	2 1 7	- (UNPLTD)	BR. F. (PH. BR.)	4-280050-4
	2 1 7	ST. (TIN PLTD)	OTTONE (BRASS)	4-280050-2
	2 1 7	- (UNPLTD)	OTTONE (BRASS)	4-280050-1
	2 4	- (UNPLTD)	BR. F. (PH. BR.)	2-280050-4
OBSOLETE	2 1 3	NICKELATO (NICKEL PLTD)	ACCIAIO (STEEL)	2-280050-3
SUPERCEDED BY 1-280050-2	2 1 4 6	ST. (TIN PLTD)	OTTONE (BRASS)	2-280050-2
	2 1 4 3	- (UNPLTD)	OTTONE (BRASS)	2-280050-1
	2 1	NICKELATO (NICKEL PLTD)	ACCIAIO (STEEL)	1-280050-3
	2 5	ST. (TIN PLTD)	OTTONE (BRASS)	1-280050-2
	2 1	ST. (TIN PLTD)	BR. F. (PH. BR.)	280050-7
	2 1	- (UNPLTD)	BR. F. (PH. BR.)	280050-4
	2 1	NICKELATO (NICKEL PLTD)	ACCIAIO (STEEL)	280050-3
	2	ST. (TIN PLTD)	OTTONE (BRASS)	280050-2
	2 1	- (UNPLTD)	OTTONE (BRASS)	280050-1
	-	ST. (TIN PLTD)	BR. F. (PH. BR.)	180388-5
	-	ST. (TIN PLTD)	OTTONE (BRASS)	180388-2
	-	- (UNPLTD)	OTTONE (BRASS)	180388-1
NOTE		FINITURA (FINISH)	MATERIALE (MATERIAL)	(NUMERO) P/N

(INS. DIA. RANGE) 2.3-3.3	(WIRE RANGE) 0.5-1.5	THIS DRAWING IS A CONTROLLED DOCUMENT.	DWN RAVLS 26MAY2017
DIMENSIONS: mm		TOLERANCES UNLESS OTHERWISE SPECIFIED:	CHK VIRDIA FEDERICO 26MAY2017
0 PLC ± 1 PLC ±0.3 2 PLC ± 3 PLC ± 4 PLC ±		APVD VIRDIA FEDERICO 26MAY2017	APVD VIRDIA FEDERICO 26MAY2017
MATERIAL SEE TABLE		FINISH SEE TABLE	PRODUCT SPEC -
		APPLICATION SPEC -	WEIGHT -
		CUSTOMER DRAWING	SCALE 5:1 SHEET 1 OF 1 REV BE1

**STE** TE Connectivity

NAME: FASTON CONNECTOR .250 sr. FLAG REC. CONTACT

SIZE: A2 CAGE CODE: 00779 DRAWING NO: C-180388