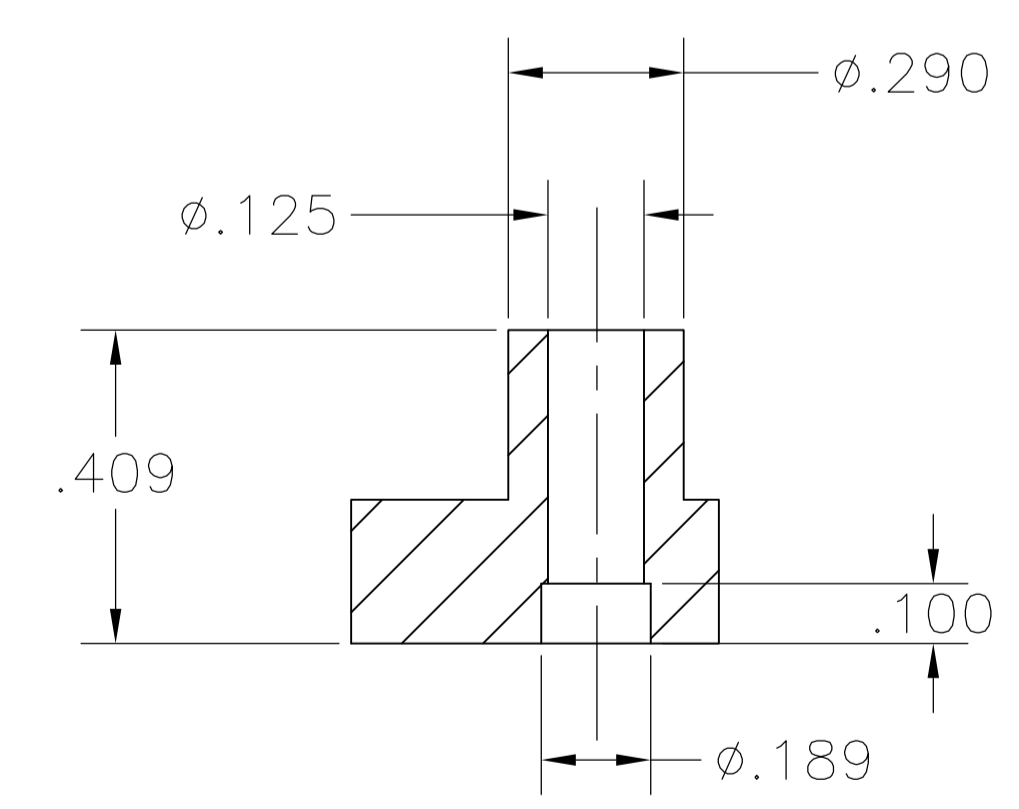
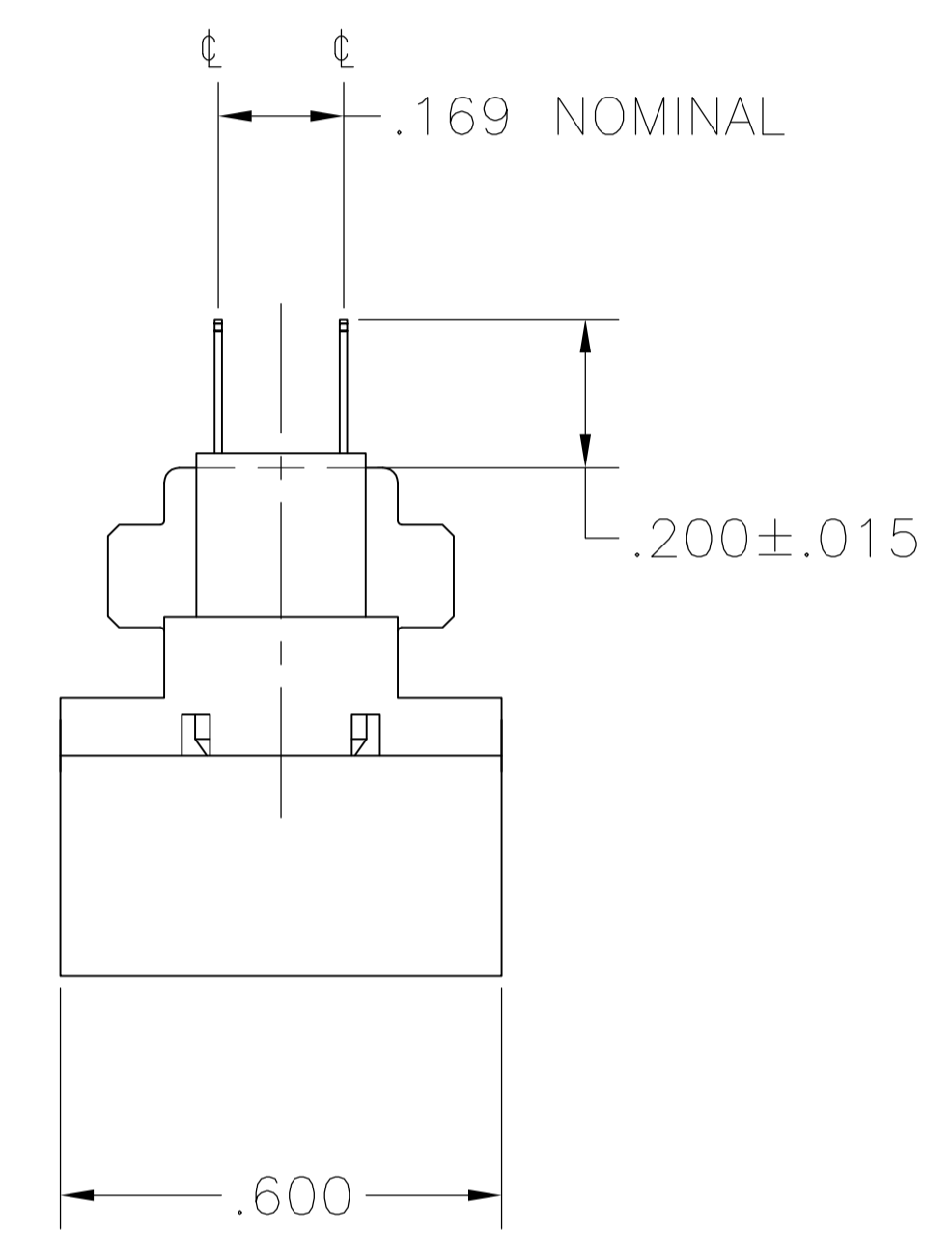


1. THE CONTACT SURFACES OF THE TERMINALS ARE COATED WITH LUBRICANT.
2. ALL DIMENSIONS SHOWN ARE FOR REFERENCE ONLY UNLESS OTHERWISE SPECIFIED.
3. MATERIAL: HOUSING - THERMOPLASTIC, BLACK. TERMINAL - PHOS BRONZE PLATED WITH EITHER .000030 MINIMUM GOLD PLATE OR GOLD FLASH OVER PALLADIUM NICKEL PLATE, .000030 MINIMUM TOTAL ON MATING SURFACE. .000120 MINIMUM TIN PLATE ON TAILS OVER .000050 MINIMUM NICKEL UNDERPLATE OVER ENTIRE TERMINAL.



DETAIL A  
BOTH ENDS

5552209-1  
PART NUMBER

THIS DRAWING IS A CONTROLLED DOCUMENT.		DIN EJ LATTUCA 16AUG05	Tyco Electronics Corporation Harrisburg, PA 17105-3608	
DIMENSIONS: INCHES		CHK W. MILLIMES 16AUG05	NAME M. WALMSLEY 16AUG05	
TOLERANCES UNLESS OTHERWISE SPECIFIED:		PRODUCT SPEC		
0. PLC	± -	APPLICATION SPEC		
1. PLC	± -	SIZE		
2. PLC	± -	CAGE CODE		
3. PLC	± -	DRAWING NO		
4. PLC	± -	RESTRICTED TO		
ANGLES	± -	A1 00779 C=5552209		
MATERIAL	FINISH	WEIGHT		
3	3	CUSTOMER DRAWING		
		SCALE	SHEET	REV
		4:1	1 OF 1	B