

1 0 1 3 5 2 9 3 - 1 0 X L F

LEAD-FREE DESIGNATION
ONLY WITH APPLICABLE
PLATING CODES

SEE NOTE 2

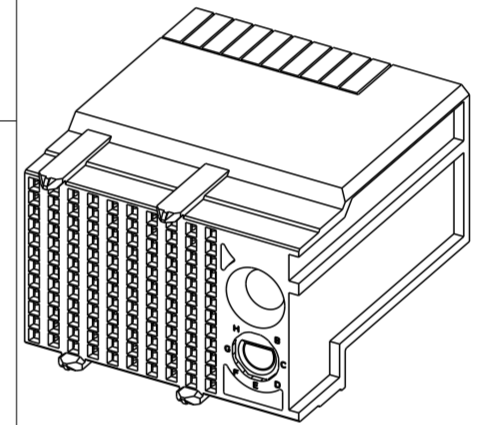
MODULE
DESCRIPTION

LETTER DESIGNATION REPRESENTED IN DASH NUMBER

BASE
MODULE

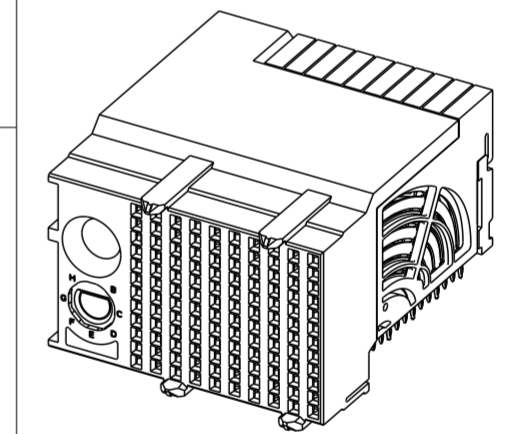
LEFT
POLARIZING
GUIDANCE
MODULE
(SEE SHEET 3)

| | | | | | | | | | |
|------------------------|----------------------|----------|----------|----------|----------|----------|----------|----------|----------|
| N | J (NO KEY) | A | B | C | D | E | F | G | H |
| NO KEY NO GUIDE PIN | | | | | | | | | |



RIGHT
POLARIZING
GUIDANCE
MODULE
(SEE SHEET 2)

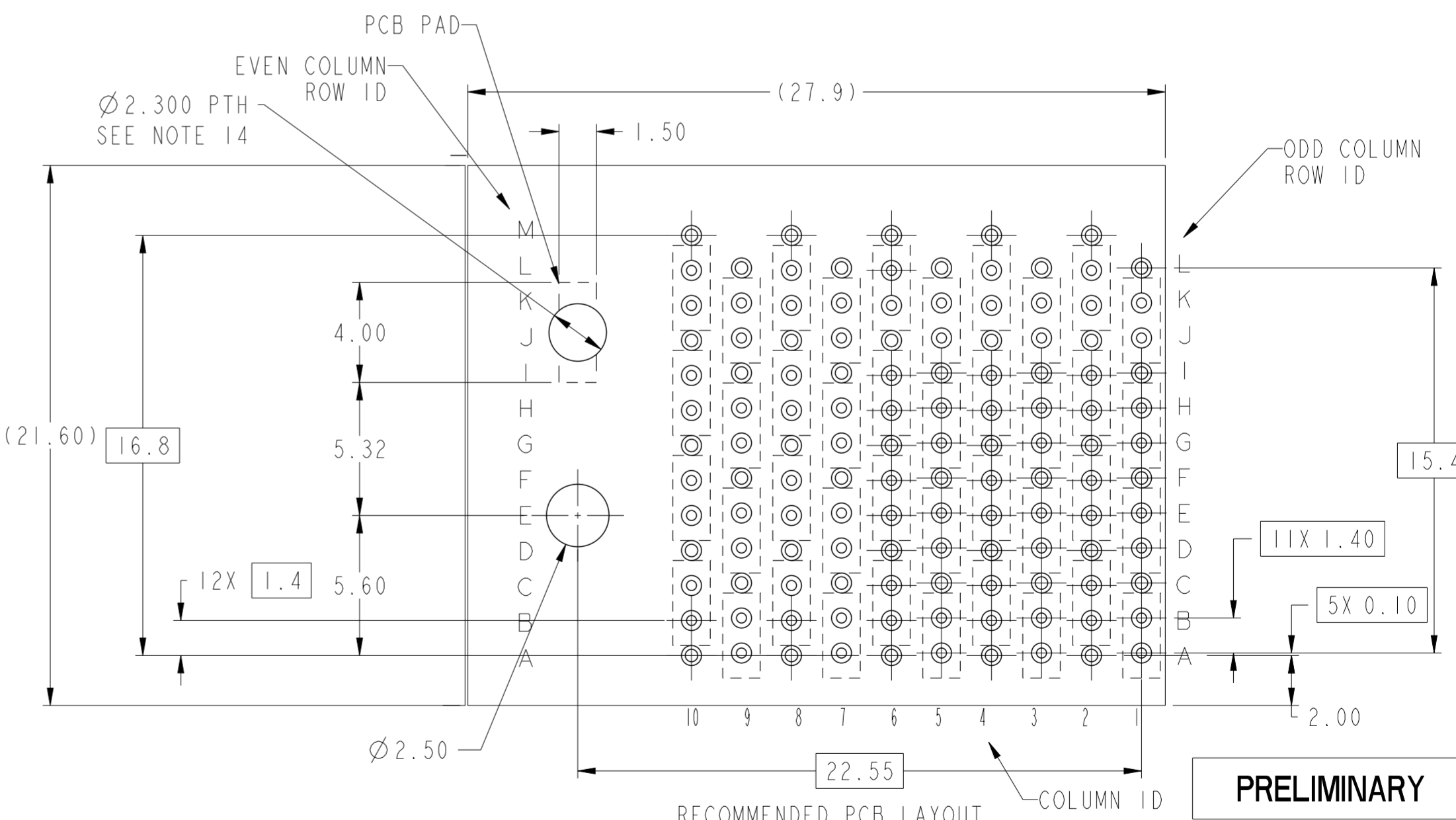
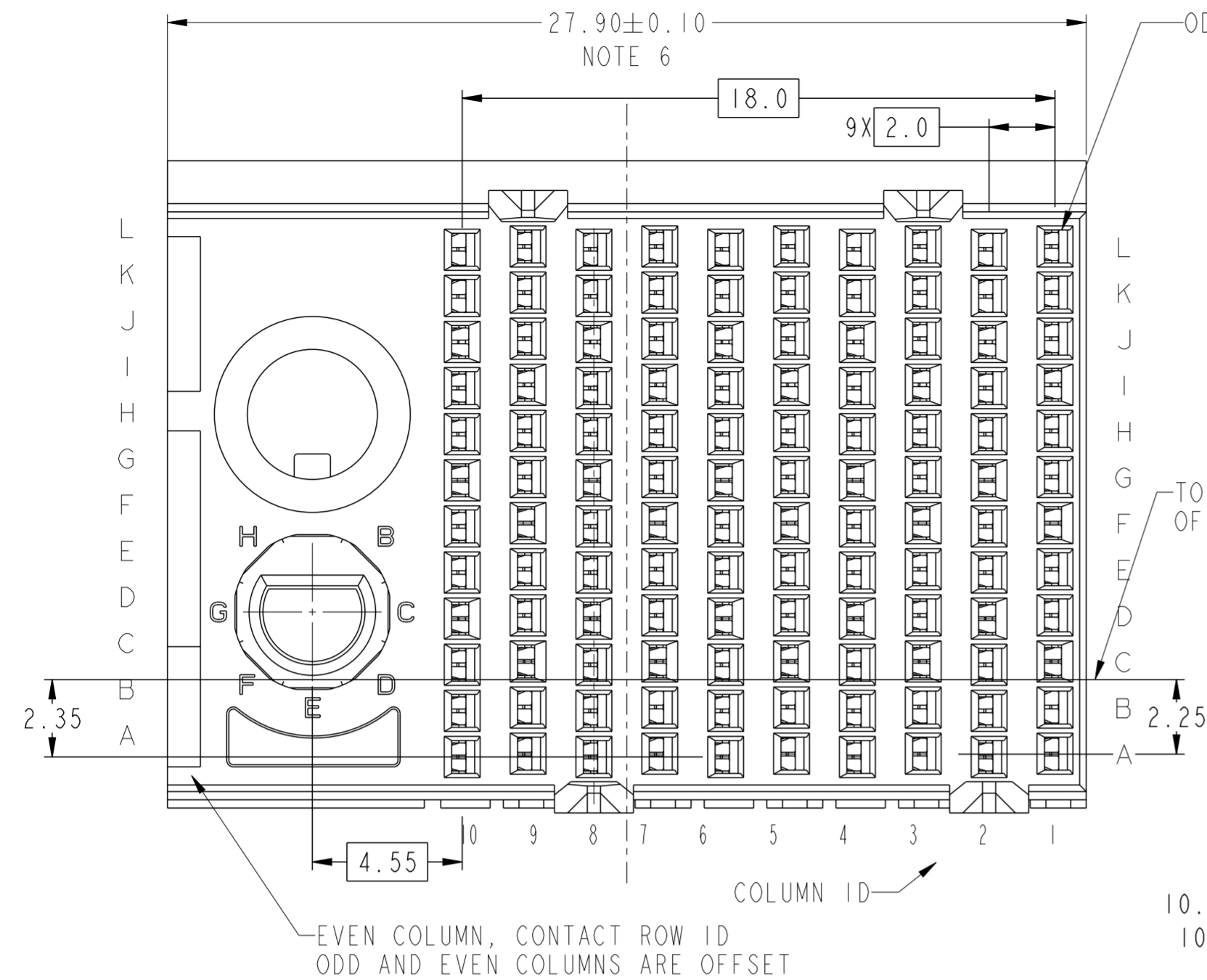
| | | | | | | | | | |
|------------------------|----------------------|----------|----------|----------|----------|----------|----------|----------|----------|
| Z | Y (NO KEY) | P | Q | R | S | T | U | V | W |
| NO KEY NO GUIDE PIN | | | | | | | | | |



NOT TOOLED
PRELIMINARY

| | | | | | | | | | | |
|---------------------------------------|---------------------------------------|-------|----------|-----------------|--|------------|-----------|-------------|-----------|------------------------|
| spec ref | --- | dr | Tao Zhan | 2015/05/26 | projection | MM | size | A2 | scale | 8:1 |
| tolerance std | ASME Y14.5M | eng | Tao Zhan | 2016/03/14 | chr | - | ecn no | - | rel level | Preliminary |
| tolerances unless otherwise specified | TOLERANCES UNLESS OTHERWISE SPECIFIED | | appr | - | product family | AirMax VS2 | rel level | Preliminary | cat. no. | - |
| surface | linear | 0.X | ±.3 | Amphenol FCi | AIRMAX VSe R.A. RECEPTACLE ASS'Y, 4 PAIR, 120 POS, 10 IMLA, 20MM, W/GUIDE/KEY | div no | 10135293 | rev | 1 | Product - Customer Drw |
| | 0.XX | ±.15 | | | | | | | | |
| | 0.XXX | ±.050 | | | | | | | | |
| | angular | 0° | ±° | sheet 1 of 4 | | | | | | |

RIGHT POLARIZATION WITH GUIDE

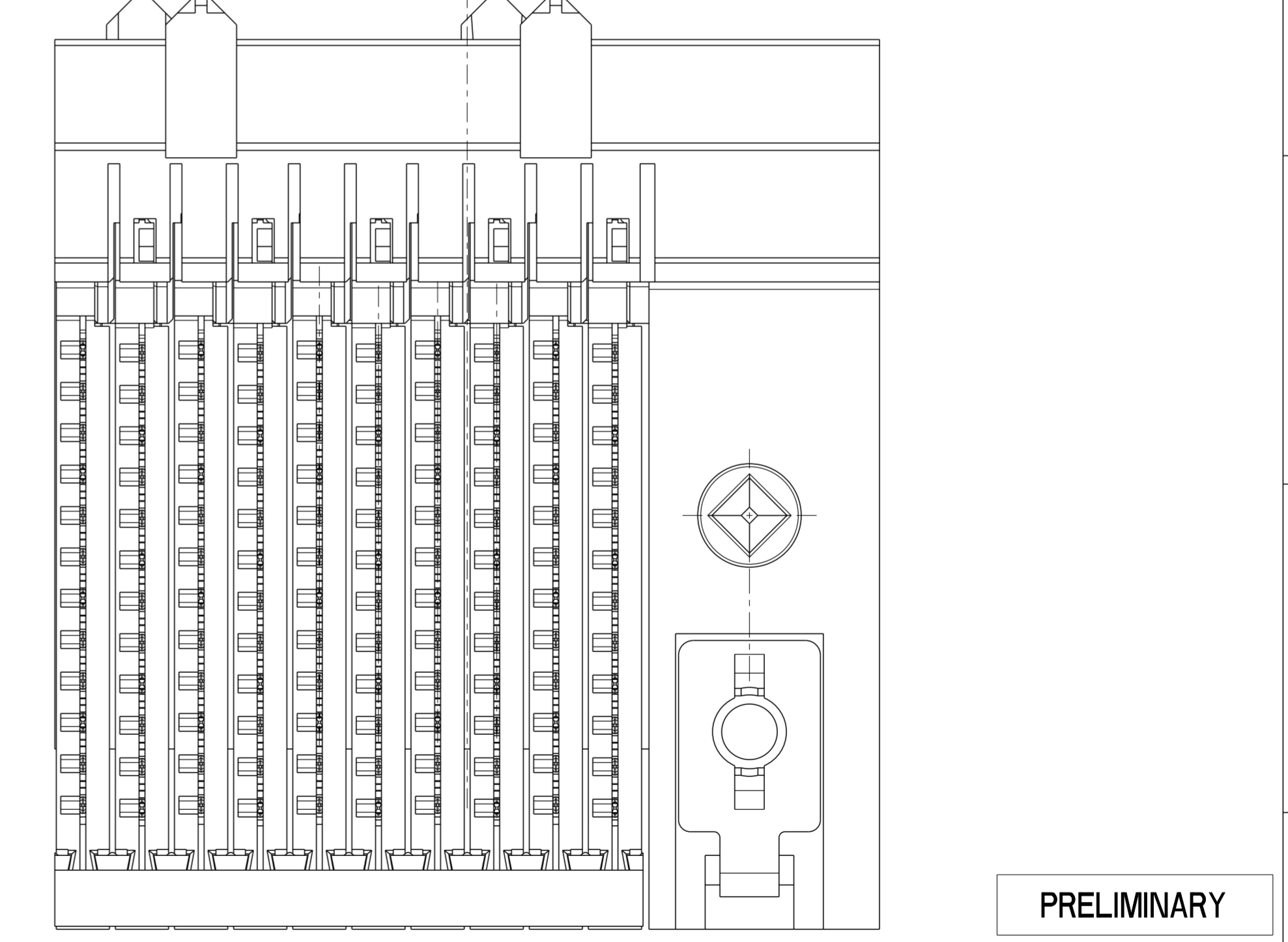
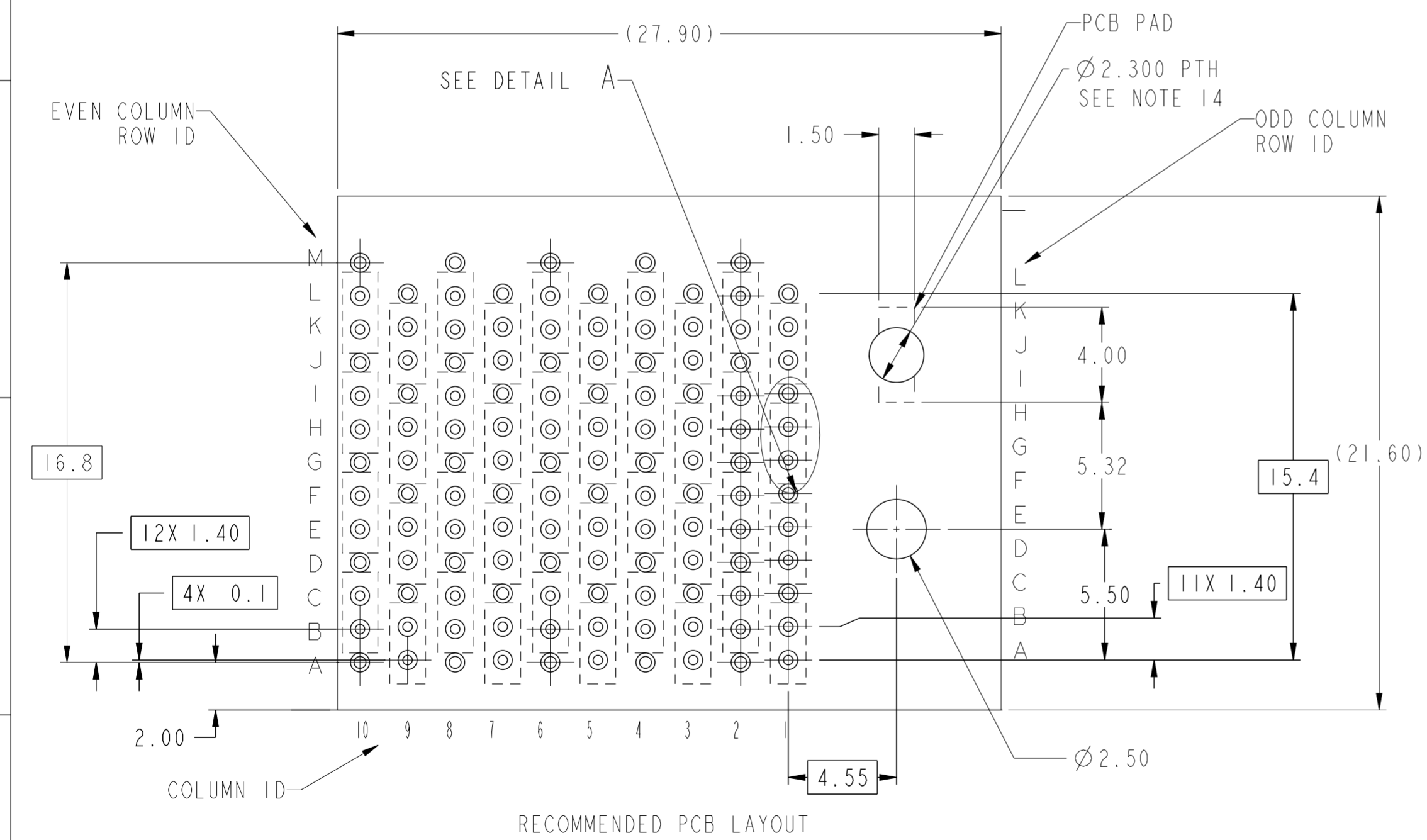
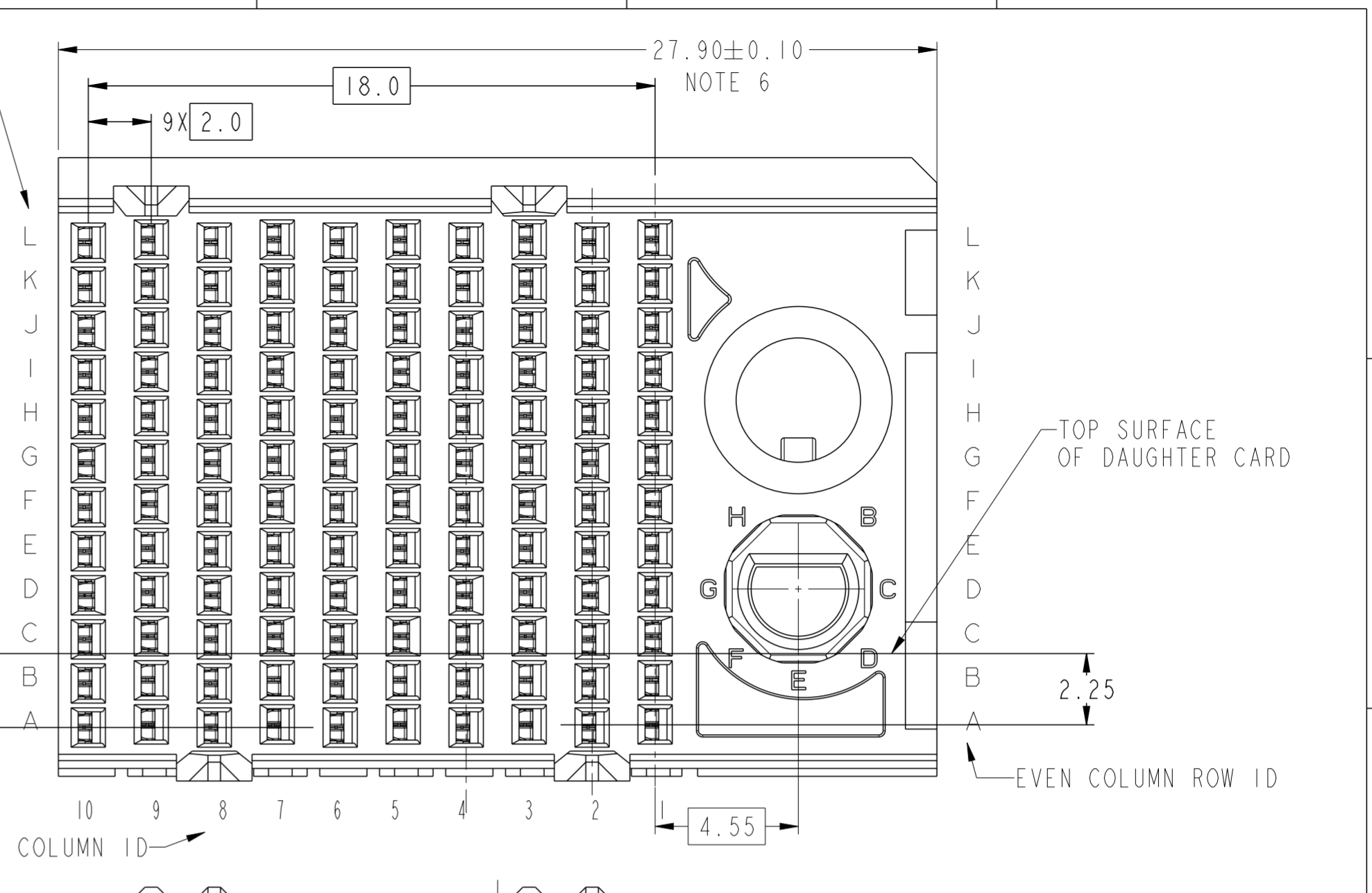
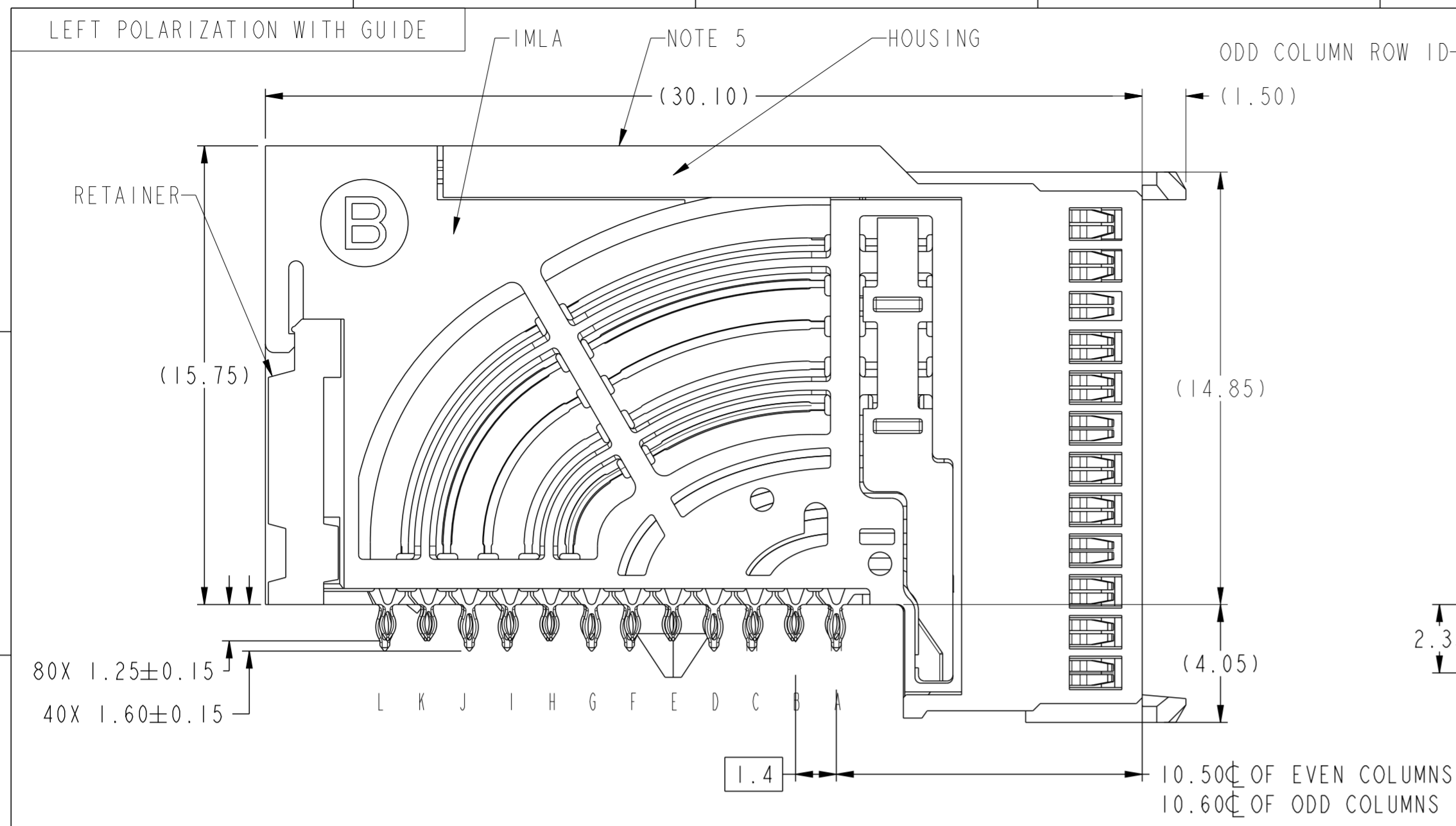


PRELIMINARY

| | | | | | | | | | | |
|---------------------------------------|-------------|-------|----------|--------------|--|------------|----------------------------|-------------|--------------|-------------|
| spec ref | --- | dr | Tao Zhan | 2015/05/26 | projection | MM | size | A2 | scale | 6:1 |
| tolerance std | ASME Y14.5M | eng | Tao Zhan | 2016/03/14 | chr | - | ecn no | - | rel level | Preliminary |
| TOLERANCES UNLESS OTHERWISE SPECIFIED | | appr | - | - | product family | AirMax VS2 | rel level | Preliminary | | |
| surface | linear | 0.X | ±.3 | Amphenol FCI | title | | AIRMAX VSe R.A. RECEPTACLE | | 10135293 | |
| | | 0.XX | ±.15 | | ASS'Y, 4 PAIR, 120 POS, 10 IMLA, 20MM, W/GUIDE/KEY | | 1 | | rev | |
| | | 0.XXX | ±.050 | | cat. no. | | Product - Customer Drw | | sheet 2 of 4 | |
| | angular | 0° | ±° | | | | | | | |

Amphenol FCI

© 2016 AFCI



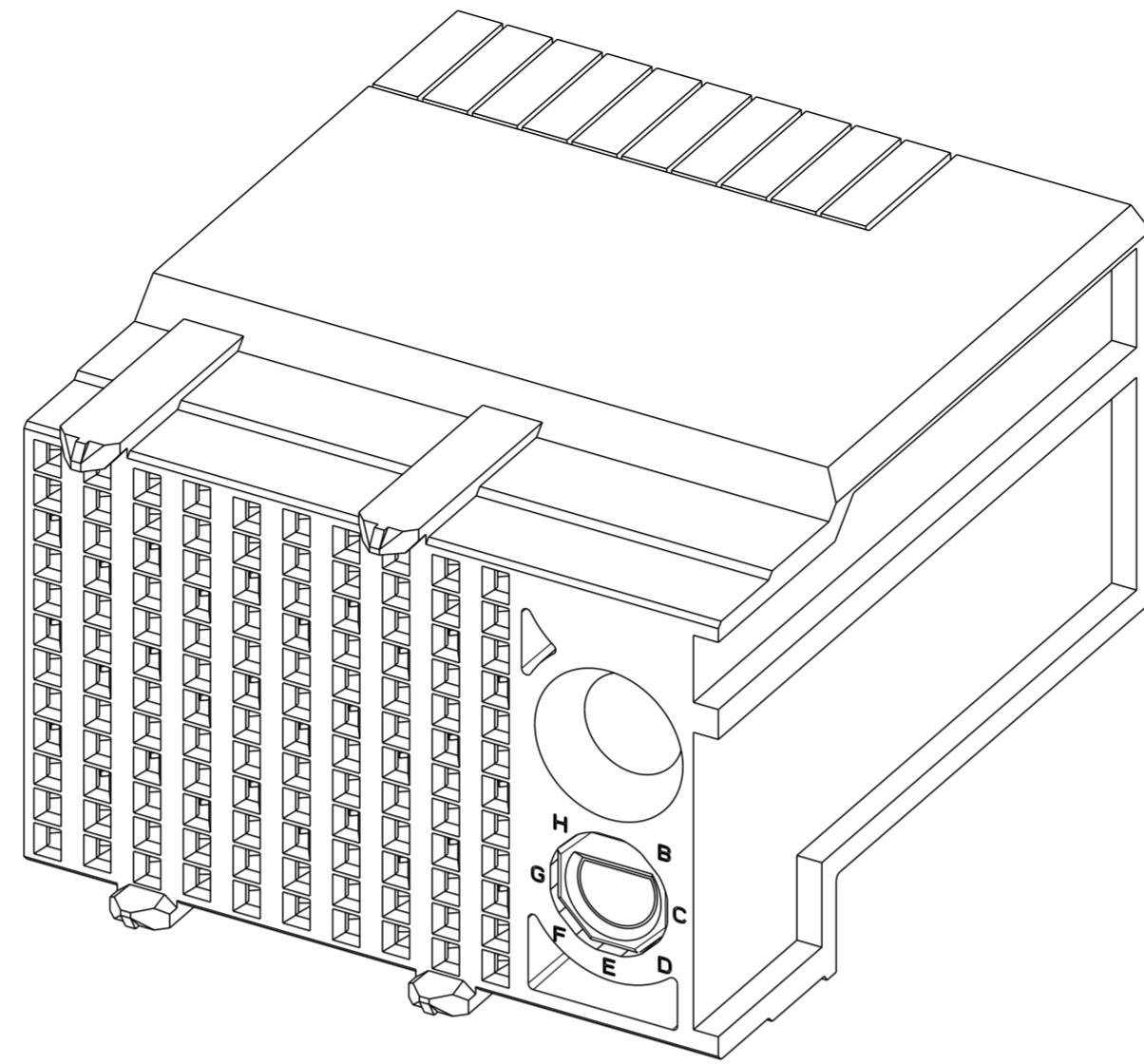
PRELIMINARY

| | | | | | | | | | | |
|---------------|-------------|-------|----------|-----------------|--|----|------------|----|-----------|-------------|
| spec ref | --- | dr | Tao Zhan | 2015/05/26 | projection | MM | size | A2 | scale | 8:1 |
| tolerance std | ASME Y14.5M | eng | Tao Zhan | 2016/03/14 | chr | - | ecn no | - | rel level | Preliminary |
| surface | linear | 0.X | ±.3 | Amphenol FCi | product family | | AIRMAX VS2 | | title | 10135293 |
| | | 0.XX | ±.15 | | ASS'Y, 4 PAIR, 120 POS, 10 IMLA, 20MM, W/GUIDE/KEY | | rev | 1 | | |
| | | 0.XXX | ±.050 | | cat. no. | | | | | |
| | angular | 0° | ±° | | | | | | | |

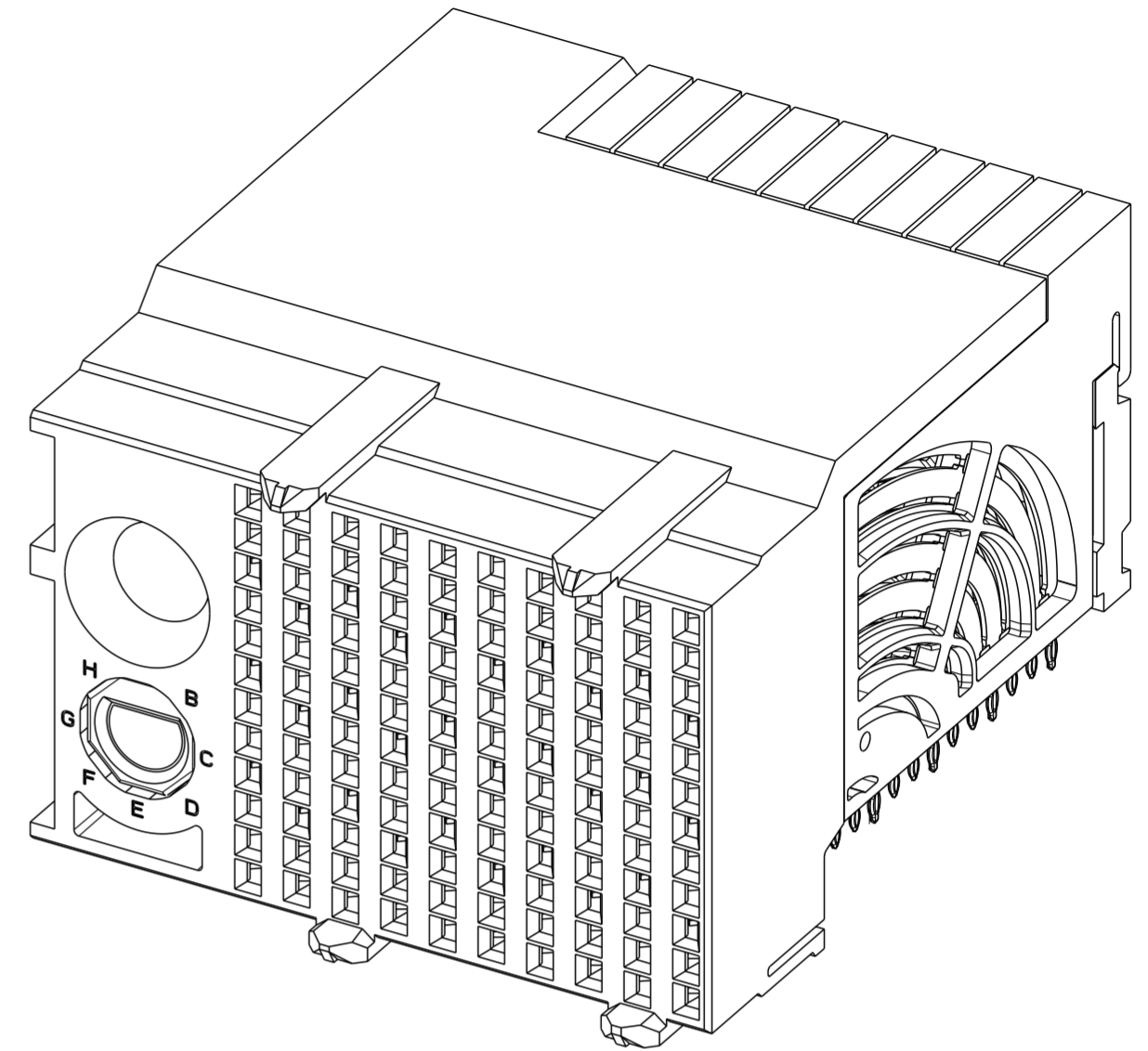
Amphenol
FCi

© 2016 AFCI

| | |
|----------------|-----------------------------|
| PRODUCT NUMBER | PRESS-FIT TAIL PLATING TYPE |
| 10135293-10*LF | TIN OVER NICKEL (LEAD FREE) |



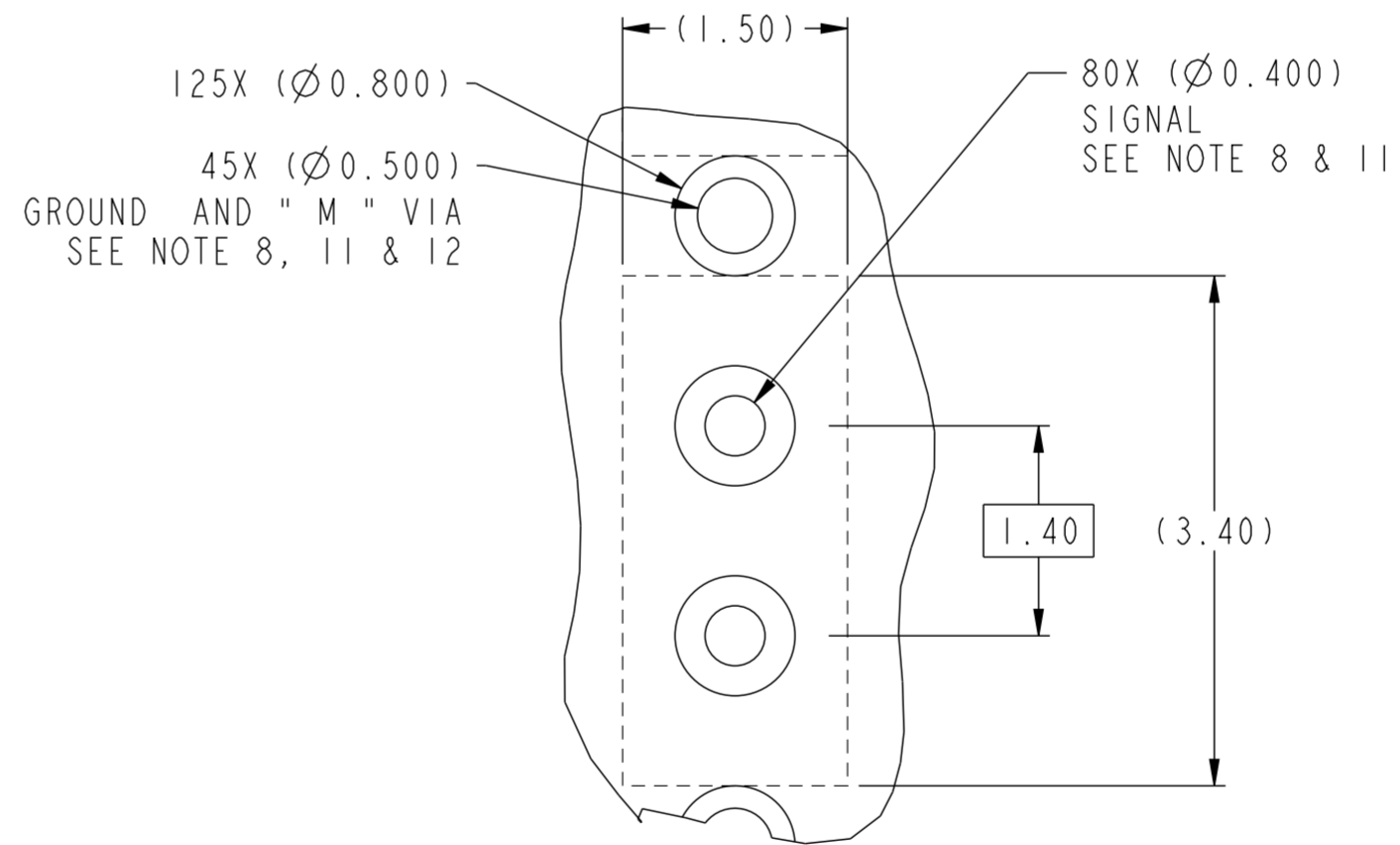
10135293-10ALF



10135293-10PLF

- 1 - CONNECTOR MATERIALS:
HOUSING: HIGH TEMP THERMOPLASTIC, NATURAL, UL94-V0
IMLA PLASTIC: HIGH TEMP THERMOPLASTIC, BLACK, UL94-V0
CONTACT: COPPER ALLOY
ORGANIZER: HIGH TEMP THERMOPLASTIC, WHITE, UL94-V0
- 2 - CONTACT PLATING:
SEPARABLE INTERFACE:
PERFORMANCE-BASED PLATING, QUALIFIED TO MEET THE REQUIREMENTS OF FCI PRODUCT SPECIFICATION GS-12-0956 INCLUDING TELCORDIA GR-1217-CORE (NOVEMBER 1995) CENTRAL OFFICE TEST SEQUENCE

PRESS-FIT TAILS: SEE TABLE
- 3 - PRODUCT SPECIFICATION: GS-12-0956
- 4 - APPLICATION SPECIFICATION: GS-20-0305.
- 5 - PRODUCT MARKING, (PART NUMBER & LOT CODE), ON THIS SURFACE.
- 6 - THE MINIMUM CENTERLINE SPACING BETWEEN ADJACENT MODULES IS 28.0 MM.
- 7 - CONNECTOR OUTLINE MAY BE SCREEN PRINTED ONTO CUSTOMER PCB TO BE USED AS A GUIDE FOR MANUAL CONNECTOR PLACEMENT.
- 8 - REFER TO CUSTOMER DRAWING 10104444 FOR INFORMATION ON PCB HOLE DIAMETERS AND PLATING OPTIONS
- 9 - LEAD FREE PRODUCT MEETS THE EUROPEAN UNION DIRECTIVES & OTHER COUNTRY REGULATIONS AS DESCRIBED IN GS-22-008
- 10 - PACKAGING MEETS GS-14-920 LEAD FREE LABELING SPECIFICATION.
- 11 - GROUND CONTACTS (C,F, AND I IN ODD COLUMNS AND A, D, AND G, EVEN COLUMNS) REQUIRE (Ø0.500) FINISHED HOLES. SIGNAL LOCATIONS REQUIRE (Ø0.400) FINISHED HOLES.
- 12 - THESE OUTER VIAS (M) ARE OPTIONAL. WHILE NO CONNECTOR EONS ARE PRESSED INTO THESE HOLES WE RECCOMEND (Ø0.500) FINISHED HOLES AT THESE LOCATIONS TO PROVIDE GROUND SYMMETRY THROUGH THE PCB.
- 13 - A SYMBOL WILL BE NEXT TO ANY DIMENSION, VIEW, OR NOTE, WHICH HAS BEEN MODIFIED WITH THE CURRENT DRAWING REVISION
- 14 - CUSTOMER CAN FIX THE CONNECTOR WITH THREAD FORMING SCREW THROUGH THIS PTH. THE SCREW IS #2-32, THE VALID LENGTH OF SCREW IS 4.5MM PLUS THE THICKNESS OF PCB.



DETAIL A
SCALE 20:1

PRELIMINARY

| | | | | | | | | | | | |
|---------------------------------------|-------------|------|----------|--------------|------------------------|--------------|--------|---|-----------|-------------|---|
| spec ref | --- | dr | Tao Zhan | 2015/05/26 | projection | MM | size | A2 | scale | 6:1 | |
| tolerance std | ASME Y14.5M | eng | Tao Zhan | 2016/03/14 | chr | - | ecn no | - | rel level | Preliminary | |
| TOLERANCES UNLESS OTHERWISE SPECIFIED | | appr | - | - | product family | AirMax VS2 | title | AIRMAX VSe R.A. RECEPTACLE ASS'Y, 4 PAIR, 120 POS, 10 IMLA, 20MM, W/GUIDE/KEY | | | |
| surface | linear | 0.X | ±.3 | Amphenol FCI | cat. no. | - | dwg no | 10135293 | | rev | 1 |
| | | 0.XX | ±.15 | | Product - Customer Drw | sheet 4 of 4 | | | | | |
| | angular | 0° | ±° | | | | | | | | |

Amphenol FCI

© 2016 AFCI