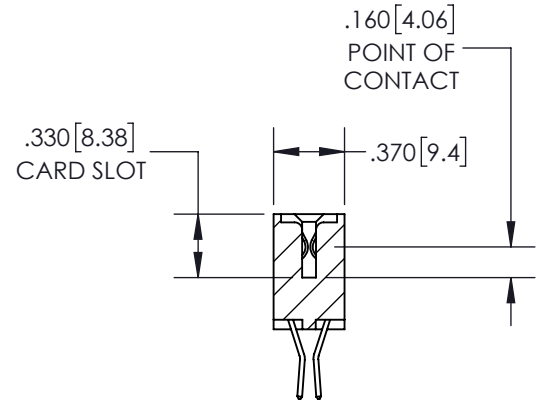
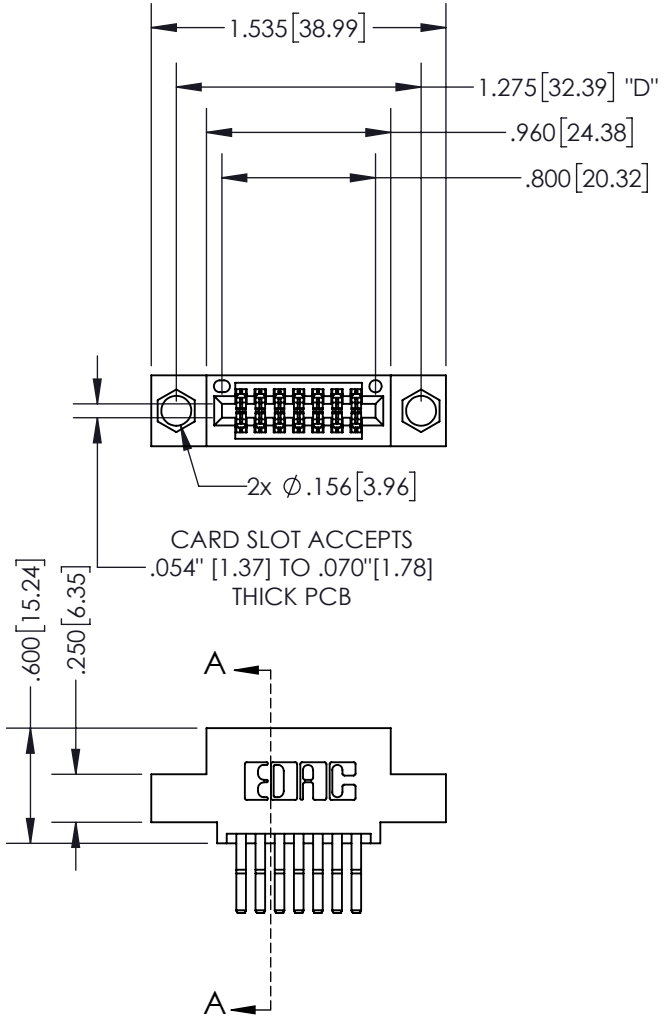


THIS IS A C.A.D. GENERATED DRAWING  
DO NOT MAKE MANUAL REVISIONS TO MASTER.




|              |   |
|--------------|---|
| ISSUE NUMBER |   |
| ORIGINAL     | ① |



SECTION A-A

**Contact Dimensions:**  
**560-Extender Board Bend (Code 523 Contacts)**  
**See Sheet 2 for Contact Code 555, 556, 558, 559, 560 Dimensions**

INSULATOR MATERIAL: THERMOPLASTIC PBT, UL 94V-0  
 CONTACT MATERIAL: COPPER TIN ALLOY  
 CONTACT PLATING: GOLD ON THE MATING AREA, TIN PLATING ON THE CONTACT TAILS, NICKEL UNDERPLATE

|                                                                                                                                                                     |  |                                                                                                                                                                                                  |                                  |            |
|---------------------------------------------------------------------------------------------------------------------------------------------------------------------|--|--------------------------------------------------------------------------------------------------------------------------------------------------------------------------------------------------|----------------------------------|------------|
| <b>345/395 SERIES CARD EDGE CONNECTOR</b><br>PART NUMBER: 395-014-560-504                                                                                           |  | ACAD REFERENCE NO.                                                                                                                                                                               | 345-ENG-MASTER                   |            |
|                                                                                                                                                                     |  | DRAWN: R.STA.MONICA                                                                                                                                                                              | DATE: MAY.16/2017                |            |
|                                                                                                                                                                     |  | CHECKED:                                                                                                                                                                                         | DATE:                            |            |
|                                                                                                                                                                     |  | SCALE: 1:1                                                                                                                                                                                       | SHEET 1 OF 2                     |            |
|  EDAC INC<br>TORONTO, ONTARIO<br>CANADA<br>YOUR CONNECTION TO QUALITY & SERVICE |  | THESE DRAWINGS AND SPECIFICATIONS ARE THE PROPERTY OF EDAC INC. AND SHALL NOT BE REPRODUCED, OR COPIED OR USED AS THE BASIS FOR THE MANUFACTURE OR SALE OF APPARATUS WITHOUT WRITTEN PERMISSION. | DRAWING NUMBER<br>345-ENG-MASTER | ISSUE<br>1 |

THIS IS A C.A.D. GENERATED DRAWING  
DO NOT MAKE MANUAL REVISIONS TO MASTER.



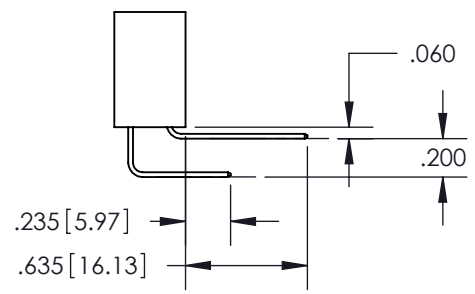
|              |   |
|--------------|---|
| ISSUE NUMBER |   |
| ORIGINAL     | ① |



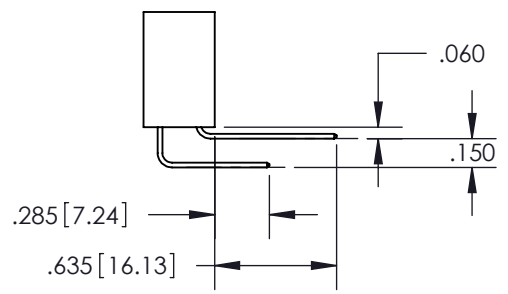
**Contact Code 555**



**Contact Code 556**



**Contact Code 558**



**Contact Code 559**



**Contact Code 560**

|                                                                                                                                                                                                  |  |                     |                   |
|--------------------------------------------------------------------------------------------------------------------------------------------------------------------------------------------------|--|---------------------|-------------------|
| <b>345/395 SERIES CARD EDGE CONNECTOR</b><br><b>CONTACT CODE 555,556,558,559,560 DIMENSIONS</b>                                                                                                  |  | ACAD REFERENCE NO.  | 345-ENG-MASTER    |
|                                                                                                                                                                                                  |  | DRAWN: R.STA.MONICA | DATE: MAY.16/2017 |
|  <b>EDAC INC</b><br>TORONTO, ONTARIO<br>CANADA<br>YOUR CONNECTION TO QUALITY & SERVICE                       |  | CHECKED:            | DATE:             |
|                                                                                                                                                                                                  |  | SCALE: 1:1          | SHEET 2 OF 2      |
| THESE DRAWINGS AND SPECIFICATIONS ARE THE PROPERTY OF EDAC INC. AND SHALL NOT BE REPRODUCED, OR COPIED OR USED AS THE BASIS FOR THE MANUFACTURE OR SALE OF APPARATUS WITHOUT WRITTEN PERMISSION. |  | DRAWING NUMBER      | ISSUE             |
|                                                                                                                                                                                                  |  | 345-ENG-MASTER      | 1                 |