



NOTE

All numerical values are in metric units [with U.S. customary units in brackets]. Dimensions are in millimeters [and inches]. Unless otherwise specified, dimensions have a tolerance of ± 0.13 [$\pm .005$] and angles have a tolerance of $\pm 2^\circ$. Figures and illustrations are for identification only and are not drawn to scale.

1. INTRODUCTION

This specification covers 4 cavity designs and the requirements for application of standard latch type MAG-MATE* standard series terminals. These requirements are applicable to hand and automatic machine application tooling.

Basic terms and features of this product are provided in Figure 1.

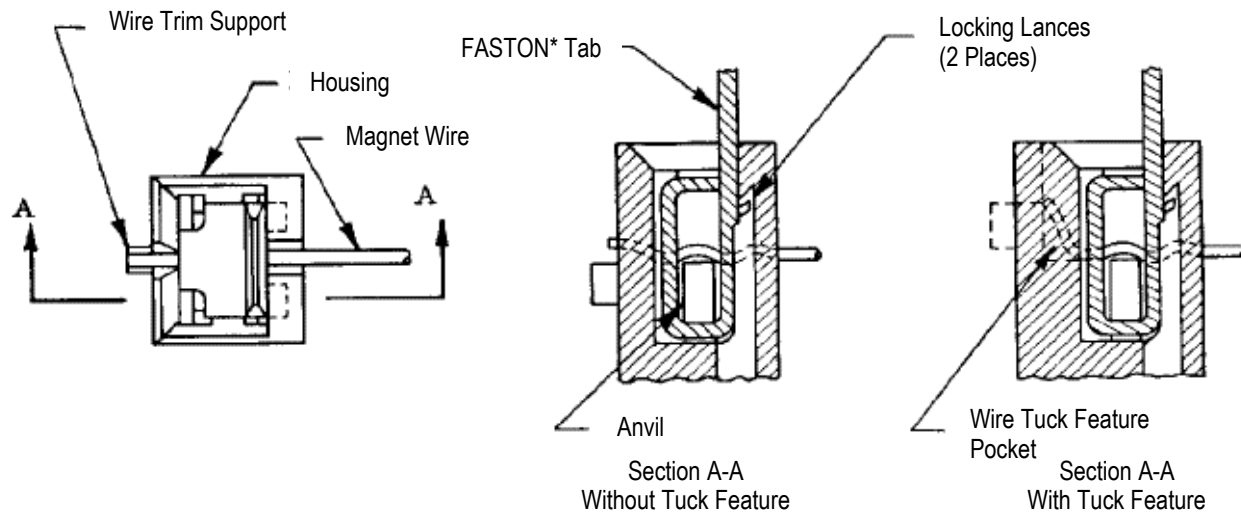


Figure 1

2. REFERENCE MATERIAL

2.1. Revision Summary

- Updated document to corporate requirements.
- Added Paragraph 3.2.A and 3.2.B.

2.2. Customer Assistance

Reference Product Base Part Number 62888 and Product Code 1039 are representative of MAG-MATE Standard Series Terminals with Standard Latch Type. Use of these numbers will identify the product line and help you to obtain product and tooling information when visiting www.te.com or calling the number at the bottom of page 1.

2.3. Drawings

Customer drawings for product part numbers are available from www.te.com. Information contained in the customer drawing takes priority.

2.4. Specifications

Product Specification [108-2012](#) provides product performance and test results.

3. REQUIREMENTS

3.1. Safety

Do not stack product shipping containers so high that the containers buckle or deform.

3.2. Storage

A. Storage Temperature and Humidity

Products should be stored at room temperature and low ambient humidity. The temperature and humidity should be in the range as per DIN IEC68 (15-35°C, 25-75% relative humidity). Products should not be exposed to extreme temperatures, intense humidity or damaging mediums (acid or base atmospheres, aggressive agents, etc.)

B. Durability of Products

These products have a normally unlimited durability, provided they are stored in their original packing and at normal storage temperature and humidity. Exceptions are solderable products, tubes and cables. Solderable products will be solderable only within 6 months after delivery.

C. Ultraviolet Light

Prolonged exposure to ultraviolet light may deteriorate the chemical composition used in the product material.

D. Shelf Life

The product should remain in the shipping containers until ready for use to prevent deformation to components. The product should be used on a first in, first out basis to avoid storage contamination that could adversely affect performance.

E. Chemical Exposure

Do not store product near any chemical listed below as they may cause stress corrosion cracking in the material.

Alkalies	Ammonia	Citrates	Phosphates	Citrates	Sulfur Compounds
Amines	Carbonates	Nitrites	Sulfur	Nitrites	Tartrates

3.3. Cavity Design

Optional housing cavity designs that will accept standard latch type MAG-MATE standard series terminals manufactured by TE Connectivity shall be in accordance with the requirements specified in Paragraph 3.3.A, 3.3.B, 3.3.C, and 3.3.D. Customers are requested to supply TE Connectivity Engineering with drawings of their final design for review and approval for insertion equipment compatibility.

B. Cavity Option 2

Cavity option 2 has a tuck feature which allows the terminal to pull the exposed end of the magnet wire into a pocket inside the cavity for total magnet wire isolation. See Figure 3.

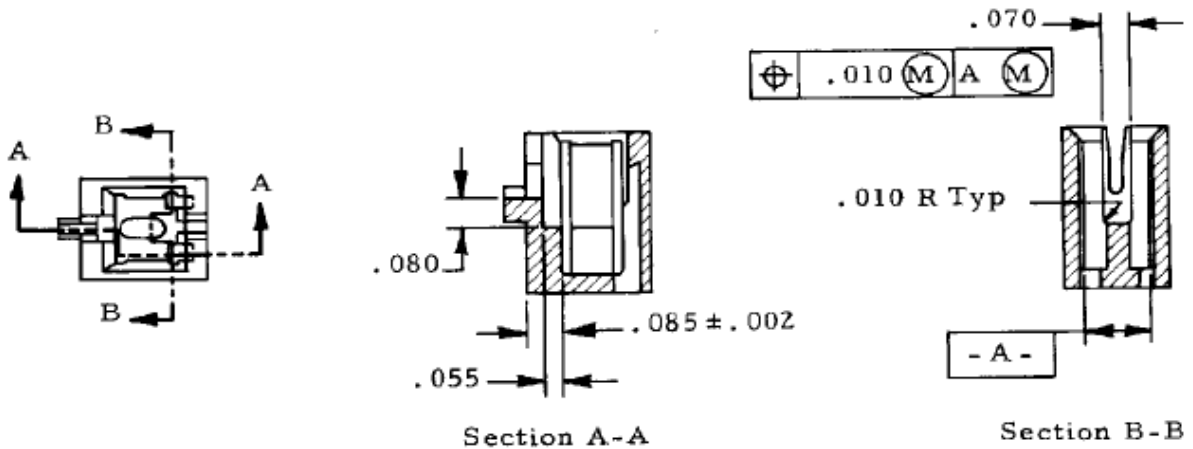


Figure 3



NOTE

Same as Figure 2, except wire-tuck feature added.

C. Cavity Option 3

Cavity option 3 contains a controlled flash to retain a broad range of magnet wire sizes in the cavity prior to terminal insertion. In addition, the wire tuck feature as specified in cavity option 2 may also be used in conjunction with cavity option 3.

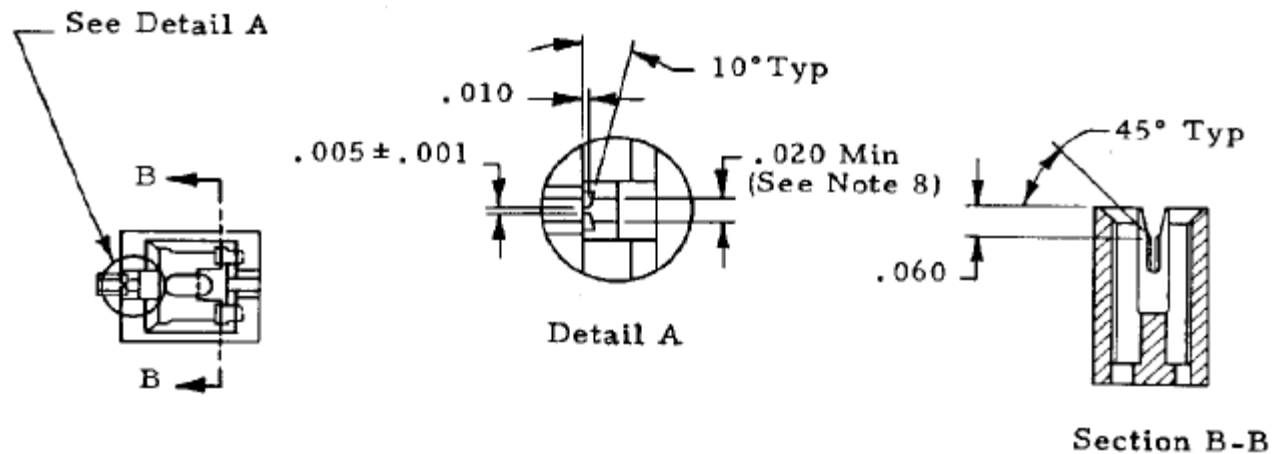


Figure 4



NOTE

Same as Figure 3, except wire slot flash added.

D. Cavity Option 4

Cavity option 4 is the same basic cavity design as cavity option 1, except the locking latch pockets are cored from the side of the cavity rather than the bottom of the cavity as required by some mold designs. Wire tuck and/or wire slot flash features, as specified in cavity options 2 and 3, may also be used in this basic cavity design.

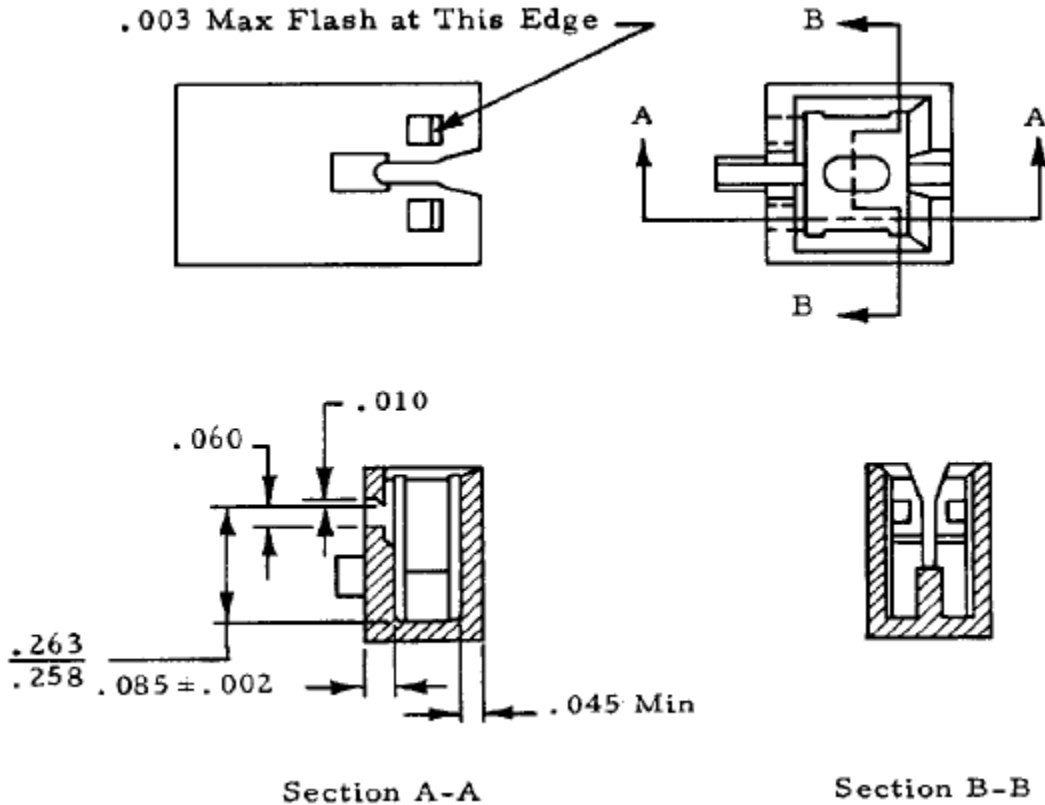


Figure 5



NOTE

Same as Figure 2, except locking latch pockets provided thru side of cavity wall rather than bottom of cavity.

3.4. Wire Placement

Magnet wire shall be preplaced at the base of the cavity wire slots before terminal insertion.

3.5. Terminal Insertion Depth

Terminal shall be inserted in the cavity housing cavity within the limits specified in Figure 6.

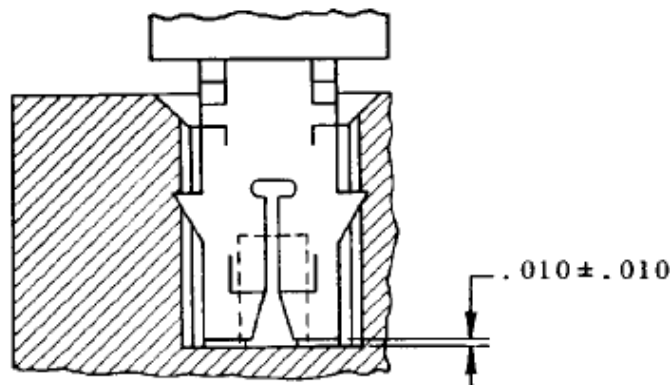


Figure 6

3.6. Wire Position

1. Magnet wire shall contact the top of the cavity anvil as indicated in Figure 7 when terminal is inserted into cavity design option 1 (see Figure 2).

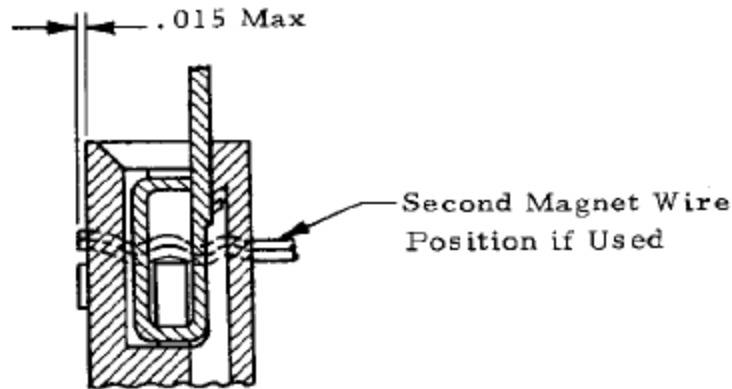


Figure 7

2. Magnet wire shall contact the top of the cavity anvil as indicated in Figure 8 when terminals are inserted in cavity design option 2 (see Figure 3) which contains a wire trim support and wire tuck feature pocket. This cavity contains a wire trim support, on which the magnet wire rests prior to terminal insertion and is removed during the application process. After termination to magnet wire is positioned within the confines of the wire tuck feature pocket as indicated in Figure 8.

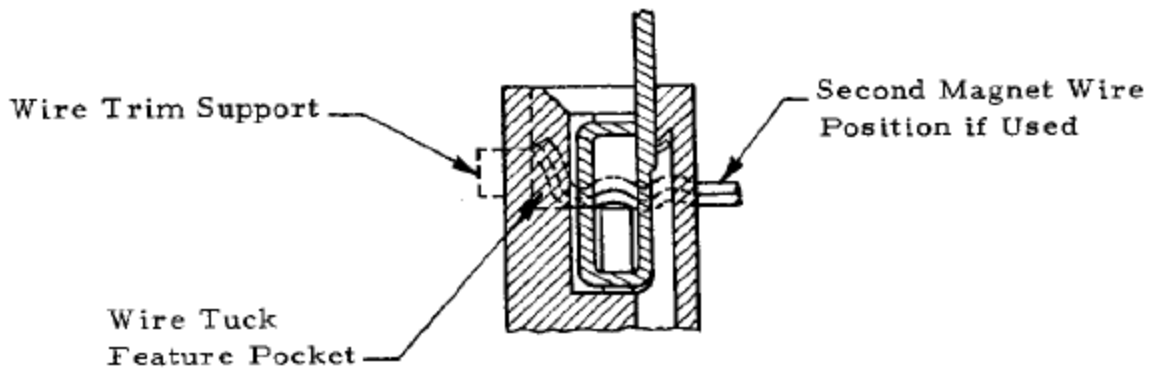


Figure 8

3.7. Terminal Cutoff Tab and Burr

A. Cutoff Tab

Terminal cutoff tabs shall be within the limits specified in Figure 9.

B. Burr

Burr on cutoff tabs shall not exceed .005.

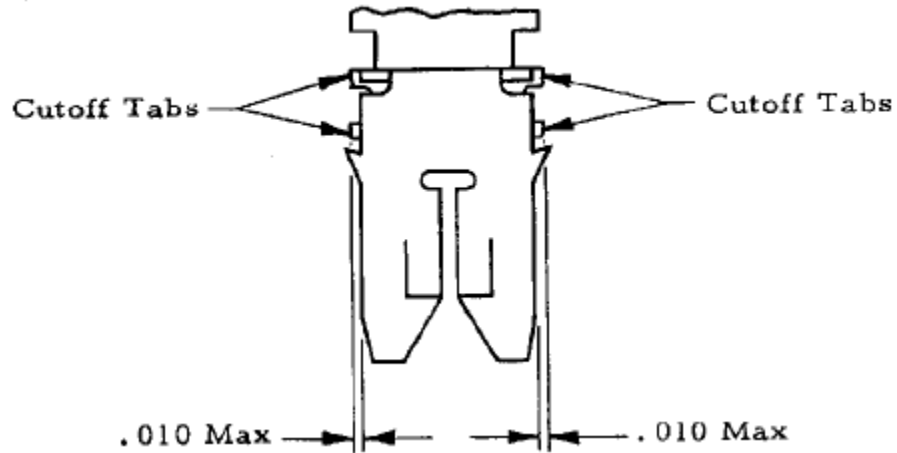


Figure 9

Part Numbers		Magnet Wire				Interface Type
Strip	Loose Piece	Aluminum		Copper		
		Quantity (a)	Size [AWG]	Quantity (a)	Size [AWG]	
62743		1 or 2	28-27	1 or 2	31-28	.187 x .020 FASTON Tab
63107	63204	1 or 2	25-23	1 or 2	27-23	
63108		—	—	1 or 2	33-31	
63109	63152	1 or 2	28-26	1 or 2	30-27	
63026		—	—	1 or 2	33-31	.250 x .032 FASTON Tab
63027		1 or 2	28-26	1 or 2	30-27	

Figure 10


NOTE

(a) Quantity denoting 1 or 2 will accept 2 magnet wires of the same size only in one terminal.