

PRODUCT ID LABEL, 2 REQUIRED
ONLY ONE LABEL REQUIRED FOR
1110251200 AND 1110251215

MOLEX P/N	LENGTH (M)	LENGTH TOL (mm)	AWG
1110251200	0.5M	±0.05M	30
1110251201	1.0M	±0.05M	30
1110251202	2.0M	±0.05M	30
1110251203	3.0M	±0.05M	28
1110251204	4.0M	±0.05M	26
1110251205	5.0M	±0.08M*	26
1110251206	6.0M	±0.08M*	26
1110251207	7.0M	±0.10M*	26
1110251208	8.0M	±0.10M*	26
1110251209	9.0M	±0.10M*	26
1110251210	10.0M	±0.15M*	26
1110251213	1.2M	±0.05M	30
1110251214	1.5M	±0.05M	30
1110251215	0.6M	±0.05M	30
1110251230	3.5M	±0.05M	26

* THIS LENGTH WILL NOT MEET THE IBTA SPECIFICATION FOR INSERTION LOSS.

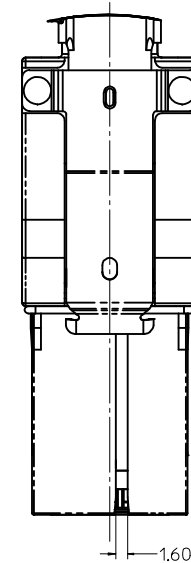
NOTES:

- MATERIALS
HOUSINGS: ZINC DIE CAST
CONTACTS: Au FLASH OVER Ni PLATING
PULL: NYLON
- CHARACTERISTIC DIFFERENTIAL IMPEDANCE: 100 OHMS
- CABLE ASSEMBLIES MEET UL94-V0 PER FILE E72548 VOL. 1
- CABLE JACKETS ARE CL2 RATED
- ASSEMBLIES COMPLY WITH IBTA CXP INTERFACE SPECIFICATION EXCEPT AS NOTED.
- MATING CONNECTOR: 76105-0584
- ROHS COMPLIANT, NO EXEMPTIONS.

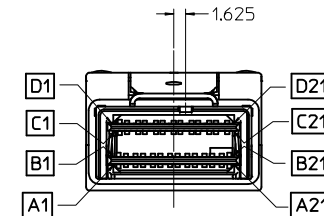
SEE REVISION TABLE EC NO: CPG2015-0399 DRAWN BY: DRWENEDINA CHKD BY: CHYORAGTEI APPR: ARABURN REV DESCRIPTION	QUALITY SYMBOLS ▽=0 ▽=0 ▽=0	GENERAL TOLERANCES (UNLESS SPECIFIED)		DIMENSION STYLE		SCALE 1.5:1	DESIGN UNITS METRIC	THIRD ANGLE PROJECTION
		mm	INCH	MM ONLY	DATE			
		4 PLACES	±---	±---	DRAWN BY: KWEBER	DATE: 2008/05/20	TITLE: 84CKT PASSIVE CABLE ASSEMBLY QDR INFINIBAND	SHEET NO. 1 OF 3
		3 PLACES	±---	±---	CHECKED BY: DDOYE	DATE: 2008/05/20		
		2 PLACES	±0.13	±---	APPROVED BY: DDOYE	DATE: 2010/10/26		
		1 PLACE	±0.25	±---				
		0 PLACE	±---	±---				
ANGULAR ±1/2° DRAFT WHERE APPLICABLE MUST REMAIN WITHIN DIMENSIONS				MATERIAL NO. SEE P/N TABLE		DOCUMENT NO. SD-111025-120		
THIS DRAWING CONTAINS INFORMATION THAT IS PROPRIETARY TO MOLEX INCORPORATED AND SHOULD NOT BE USED WITHOUT WRITTEN PERMISSION								

WIRING CHART

P1				P2				P1				P2			
PIN	F	SIGNAL	TYPE	PIN	F	SIGNAL		PIN	F	SIGNAL	TYPE	PIN	F	SIGNAL	
A1	L	GND	C C	C1	L	GND		C1	L	GND	C C	A1	L	GND	
A2	S	Tx1p	----->	C2	S	Rx1p		C2	S	Rx1p	<-----	A2	S	Tx1p	
A3	S	Tx1n	----->	C3	S	Rx1n		C3	S	Rx1n	<-----	A3	S	Tx1n	
A4	L	GND	C C	C4	L	GND		C4	L	GND	C C	A4	L	GND	
A5	S	Tx3p	----->	C5	S	Rx3p		C5	S	Rx3p	<-----	A5	S	Tx3p	
A6	S	Tx3n	----->	C6	S	Rx3n		C6	S	Rx3n	<-----	A6	S	Tx3n	
A7	L	GND	C C	C7	L	GND		C7	L	GND	C C	A7	L	GND	
A8	S	Tx5p	----->	C8	S	Rx5p		C8	S	Rx5p	<-----	A8	S	Tx5p	
A9	S	Tx5n	----->	C9	S	Rx5n		C9	S	Rx5n	<-----	A9	S	Tx5n	
A10	L	GND	C C	C10	L	GND		C10	L	GND	C C	A10	L	GND	
A11	S	Tx7p	----->	C11	S	Rx7p		C11	S	Rx7p	<-----	A11	S	Tx7p	
A12	S	Tx7n	----->	C12	S	Rx7n		C12	S	Rx7n	<-----	A12	S	Tx7n	
A13	L	GND	C C	C13	L	GND		C13	L	GND	C C	A13	L	GND	
A14	S	Tx9p	----->	C14	S	Rx9p		C14	S	Rx9p	<-----	A14	S	Tx9p	
A15	S	Tx9n	----->	C15	S	Rx9n		C15	S	Rx9n	<-----	A15	S	Tx9n	
A16	L	GND	C C	C16	L	GND		C16	L	GND	C C	A16	L	GND	
A17	S	Tx11p	----->	C17	S	Rx11p		C17	S	Rx11p	<-----	A17	S	Tx11p	
A18	S	Tx11n	----->	C18	S	Rx11n		C18	S	Rx11n	<-----	A18	S	Tx11n	
A19	L	GND	C C	C19	L	GND		C19	L	GND	C C	A19	L	GND	
A20	S	SCL	█ █ █ █	C20	S	PRSNT		C20	S	PRSNT	█ █ █ █	A20	S	SCL	
A21	S	SDA	█ █ █ █	C21	S	Int_L/Reset_L		C21	S	Int_L/Reset_L	█ █ █ █	A21	S	SDA	
B1	L	GND	C C	D1	L	GND		D1	L	GND	C C	B1	L	GND	
B2	S	Tx0p	----->	D2	S	Rx0p		D2	S	Rx0p	<-----	B2	S	Tx0p	
B3	S	Tx0n	----->	D3	S	Rx0n		D3	S	Rx0n	<-----	B3	S	Tx0n	
B4	L	GND	C C	D4	L	GND		D4	L	GND	C C	B4	L	GND	
B5	S	Tx2p	----->	D5	S	Rx2p		D5	S	Rx2p	<-----	B5	S	Tx2p	
B6	S	Tx2n	----->	D6	S	Rx2n		D6	S	Rx2n	<-----	B6	S	Tx2n	
B7	L	GND	C C	D7	L	GND		D7	L	GND	C C	B7	L	GND	
B8	S	Tx4p	----->	D8	S	Rx4p		D8	S	Rx4p	<-----	B8	S	Tx4p	
B9	S	Tx4n	----->	D9	S	Rx4n		D9	S	Rx4n	<-----	B9	S	Tx4n	
B10	L	GND	C C	D10	L	GND		D10	L	GND	C C	B10	L	GND	
B11	S	Tx6p	----->	D11	S	Rx6p		D11	S	Rx6p	<-----	B11	S	Tx6p	
B12	S	Tx6n	----->	D12	S	Rx6n		D12	S	Rx6n	<-----	B12	S	Tx6n	
B13	L	GND	C C	D13	L	GND		D13	L	GND	C C	B13	L	GND	
B14	S	Tx8p	----->	D14	S	Rx8p		D14	S	Rx8p	<-----	B14	S	Tx8p	
B15	S	Tx8n	----->	D15	S	Rx8n		D15	S	Rx8n	<-----	B15	S	Tx8n	
B16	L	GND	C C	D16	L	GND		D16	L	GND	C C	B16	L	GND	
B17	S	Tx10p	----->	D17	S	Rx10p		D17	S	Rx10p	<-----	B17	S	Tx10p	
B18	S	Tx10n	----->	D18	S	Rx10n		D18	S	Rx10n	<-----	B18	S	Tx10n	
B19	L	GND	C C	D19	L	GND		D19	L	GND	C C	B19	L	GND	
B20	M	VCC3.3-Tx	█ █ █ █	D20	M	VCC3.3-Rx		D20	M	VCC3.3-Rx	█ █ █ █	B20	M	VCC3.3-Tx	
B21	M	VCC12-Tx	█ █ █ █	D21	M	VCC12-Rx		D21	M	VCC12-Rx	█ █ █ █	B21	M	VCC12-Tx	



POLARIZATION FOR IBTA



PIN LOCATIONS

FINGER CONTACT MATING (F):

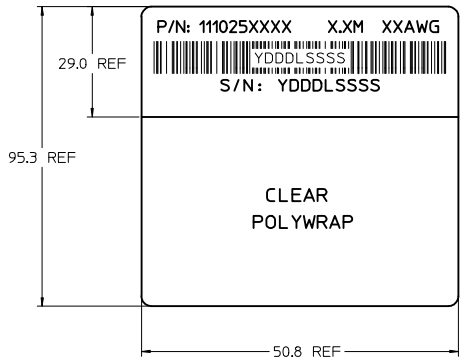
- L = FIRST MATE (LONG FINGERS)
- M = SECOND MATE (MIDDLE FINGERS)
- S = LAST MATE (SHORT FINGERS)

CONNECTION TYPE:

- C = COMMON GROUND
- > = TRANSMIT TO RECEIVE ON HIGH SPEED PAIRS
- █ = CONNECTION TO A CIRCUIT ON THE PADDLE CARD

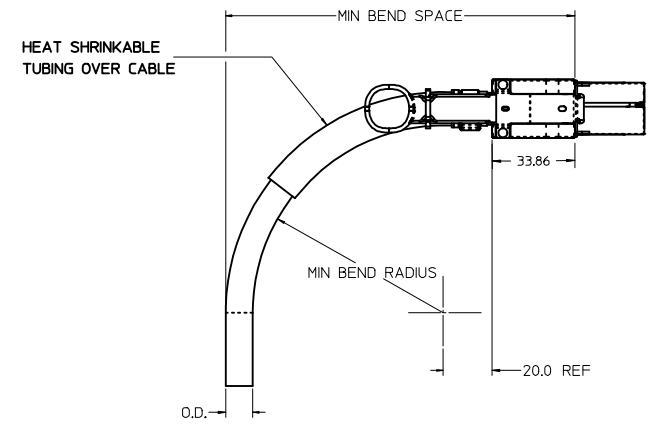
SEE REVISION TABLE IEC NO: CPG2015-0399 DRAWN BY: CHYKORAGET DATE: 2014/07/15 APPROVED BY: APPR-ARABURN DATE: 2014/08/04	QUALITY SYMBOLS	GENERAL TOLERANCES (UNLESS SPECIFIED)	DIMENSION STYLE	SCALE	DESIGN UNITS	THIRD ANGLE PROJECTION
	▽=0	mm INCH	MM ONLY	3:1	METRIC	☉
	▽=0	4 PLACES ±0.13	DRAWN BY: KWEBER	DATE: 2008/05/20	TITLE: 84CKT PASSIVE CABLE ASSEMBLY QDR INFINIBAND	
	▽=0	1 PLACE ±0.25	CHECKED BY: DDOYE	DATE: 2008/05/20	APPROVED BY: DDOYE	DATE: 2010/10/26
	ANGULAR ±1/2°	DRAFT WHERE APPLICABLE MUST REMAIN WITHIN DIMENSIONS	SEE P/N TABLE	MATERIAL NO. SD-111025-120	DOCUMENT NO.	SHEET NO. 2 OF 3
THIS DRAWING CONTAINS INFORMATION THAT IS PROPRIETARY TO MOLEX INCORPORATED AND SHOULD NOT BE USED WITHOUT WRITTEN PERMISSION						

CABLE LABEL



P/N: SEE P/N TABLE
 X.XM: CABLE LENGTH (AS SHOWN FROM P/N TABLE)
 XXAWG: CABLE GAUGE (SEE P/N TABLE)

S/N: YDDLSSSS
 Y = YEAR, LAST DIGIT OF YEAR
 DDD = DAY OF THE YEAR
 L = LOCATION CODE
 (1=USA, 2=MEXICO, 3=CHINA)
 SSSS = SERIAL NUMBER (0001-9999)



CABLE AWG	O.D.	MINIMUM BEND RADIUS (mm)	MINIMUM BEND SPACE (mm)
30	9.78	69	133
28	11.05	79	143
26	13.21	96	160

SEE REVISION TABLE IEC NO: CPG2015-0399 DRAWN BY: DRWNEEDINA CHECKED BY: CHYORAGYEI APPROVED BY: APPRABATURN	2013/09/18 2014/07/15 2014/08/04	QUALITY SYMBOLS ▽=0 ▽=0 ▽=0	GENERAL TOLERANCES (UNLESS SPECIFIED)		DIMENSION STYLE MM ONLY		SCALE 1:1	DESIGN UNITS METRIC	THIRD ANGLE PROJECTION		
			4 PLACES ±0.13 3 PLACES ±0.25 2 PLACES ±0.38 1 PLACE ±0.51 0 PLACE ±0.76	mm INCH	DRAWN BY KWEBER	DATE 2008/05/20	TITLE 84CKT PASSIVE CABLE ASSEMBLY QDR INFINIBAND				
			ANGULAR ±1/2° DRAFT WHERE APPLICABLE MUST REMAIN WITHIN DIMENSIONS		APPROVED BY DDOYE	DATE 2010/10/26	MATERIAL NO. SEE P/N TABLE			DOCUMENT NO. SD-111025-120	SHEET NO. 3 OF 3
			THIS DRAWING CONTAINS INFORMATION THAT IS PROPRIETARY TO MOLEX INCORPORATED AND SHOULD NOT BE USED WITHOUT WRITTEN PERMISSION								