

Electronic housing - UMK- SE 11,25 - 2970002

Please be informed that the data shown in this PDF Document is generated from our Online Catalog. Please find the complete data in the user's documentation. Our General Terms of Use for Downloads are valid (<http://download.phoenixcontact.com>)

Universal module, comprising: Side element, 11.25 mm wide, with marker groove



The illustration shows a combination of versions UMK SE 11,25, UMK BE 11,25, - 22,5, -45 and UMK-FE

Why buy this product

- The modules can be marked using the marking grooves in the lateral element as well as with the Phoenix Contact PMB module marker, which is snapped into a bore hole (4 mm Ø) in the PCB
- Wide range of options for external conductor connection
- Fast assembly thanks to the plug-in module principle. The tight engagement of the individual elements ensures that they are securely connected.
- Due to the universal foot, the modules can be snapped onto standard EN DIN rails
- The mounting flange supports direct wall mounting



Key commercial data

Packing unit	1
Minimum order quantity	10
Catalog page	Page 648 (CC-2011)
GTIN	 4 017918 087531
Custom tariff number	85389099
Country of origin	POLAND

Technical data

General

Housing type	Side cover
Housing material	Polyamide
Color	green

Technical data

Inflammability class according to UL 94	V2
-----------------------------------------	----

Electronic housing - UMK- SE 11,25 - 2970002

Classifications

eclass

eCl@ss 4.0	27180401
eCl@ss 4.1	27180401
eCl@ss 5.0	27180506
eCl@ss 5.1	27180506
eCl@ss 6.0	27180802
eCl@ss 7.0	27182701

etim

ETIM 2.0	EC001031
ETIM 3.0	EC001031
ETIM 4.0	EC001031
ETIM 5.0	EC002779

unspsc

UNSPSC 6.01	31261501
UNSPSC 7.0901	31261501
UNSPSC 11	31261501
UNSPSC 12.01	31261501
UNSPSC 13.2	31261501

Approvals

Approvals

Approvals

UL Recognized

Ex Approvals

Approvals submitted

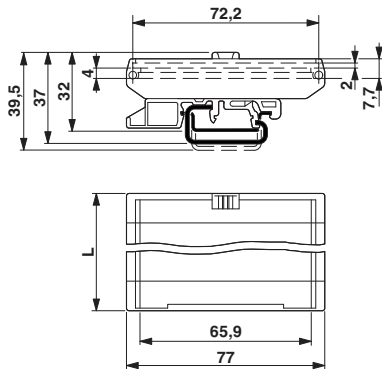
Approval details

UL Recognized 

Drawings

Electronic housing - UMK- SE 11,25 - 2970002

Dimensioned drawing



© Phoenix Contact 2012 - all rights reserved
<http://www.phoenixcontact.com>