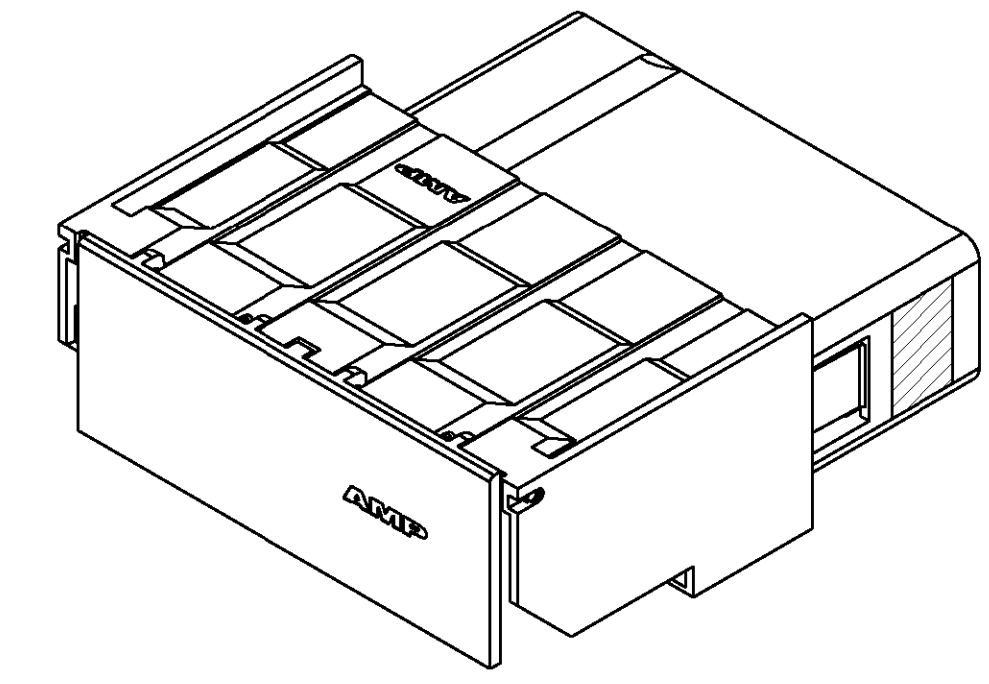
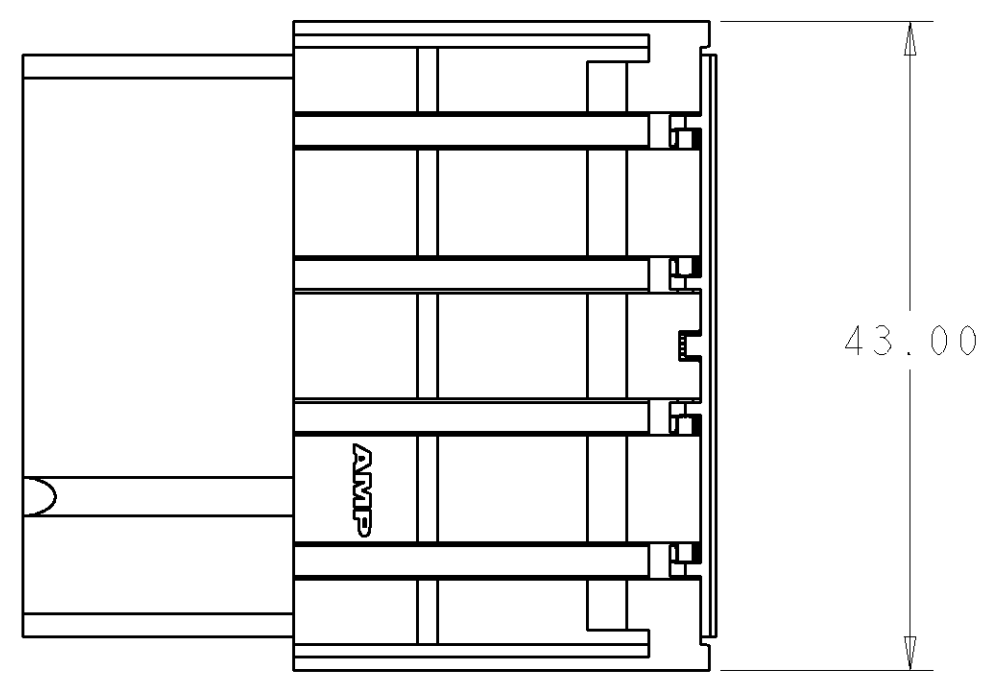
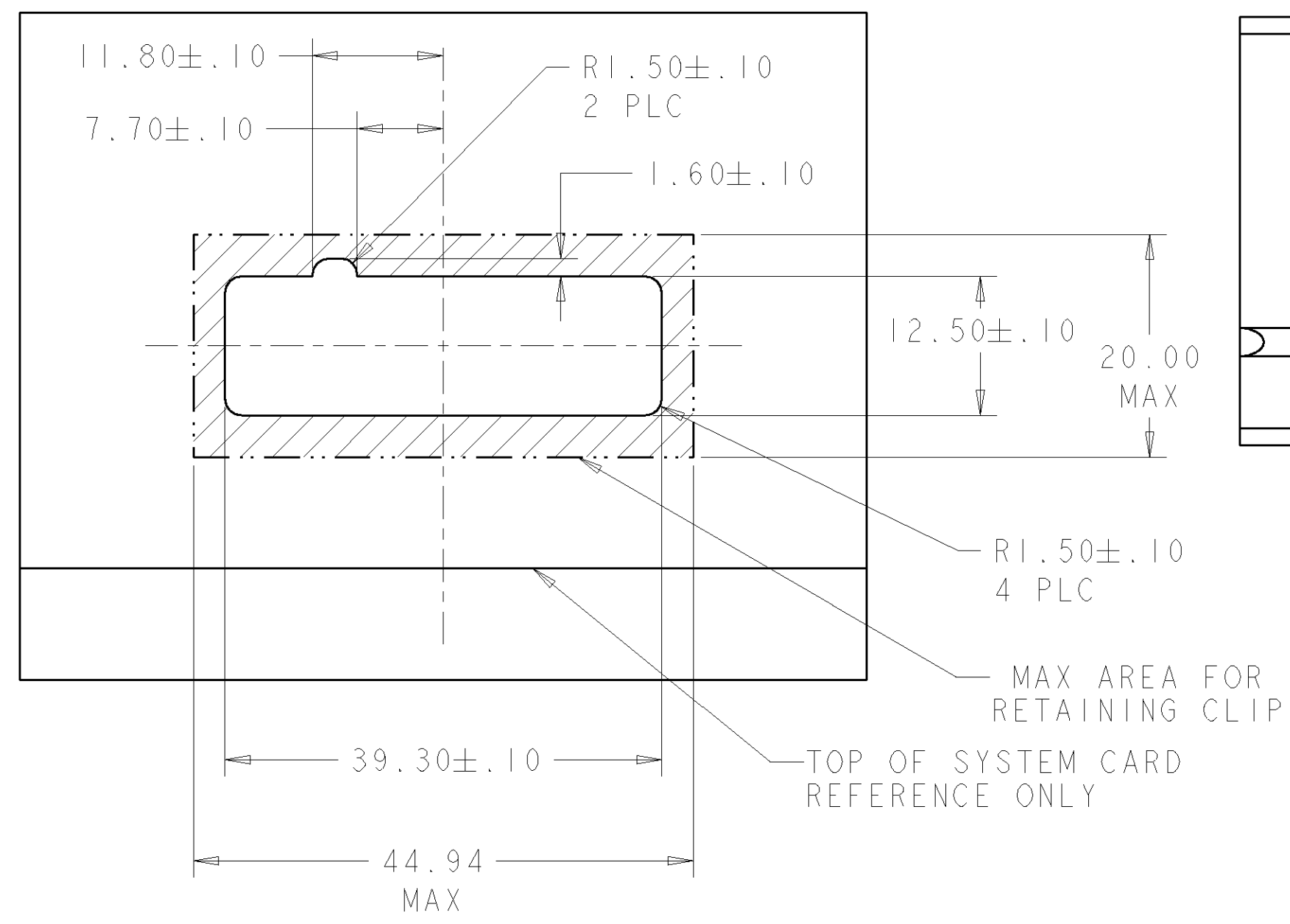


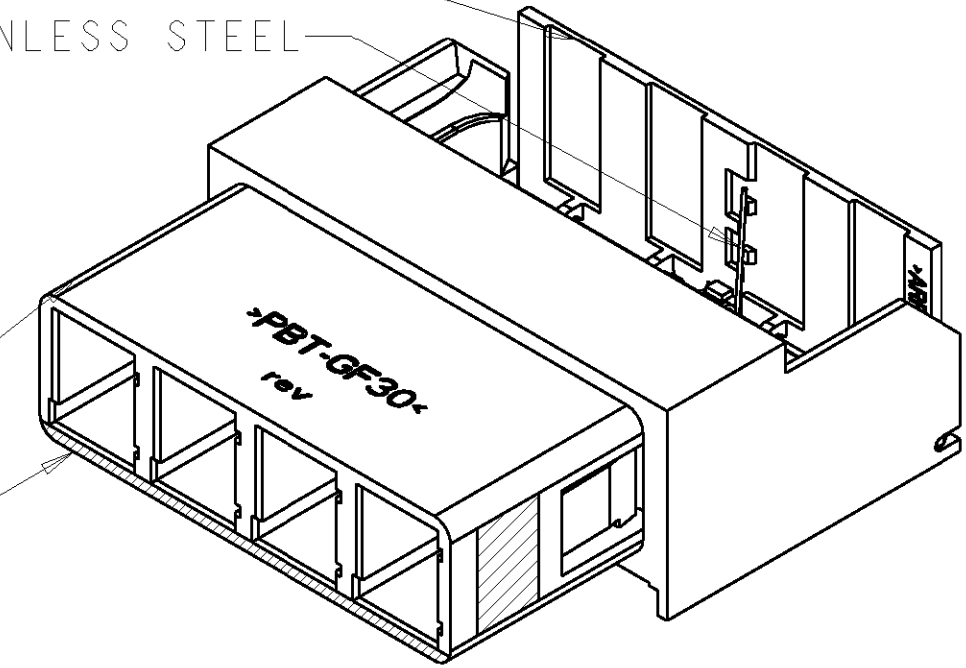
THIS DRAWING IS UNPUBLISHED. RELEASED FOR PUBLICATION  
 © COPYRIGHT 20 BY TYCO ELECTRONICS CORPORATION. ALL RIGHTS RESERVED.

LOC	DIST	REVISIONS			
P	LTR	DESCRIPTION	DATE	DWN	APVD
CE	16	A	DRAWN	16JAN2006	EH AP



SCALE 2:1 PIN MATERIAL: SST

SHUTTER; MATERIAL: THERMOPLASTIC  
 SHUTTER SPRING; MATERIAL: STAINLESS STEEL



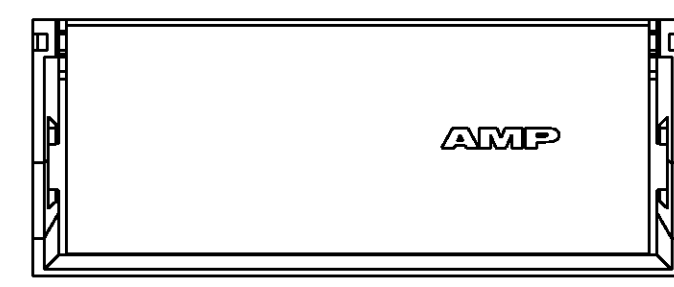
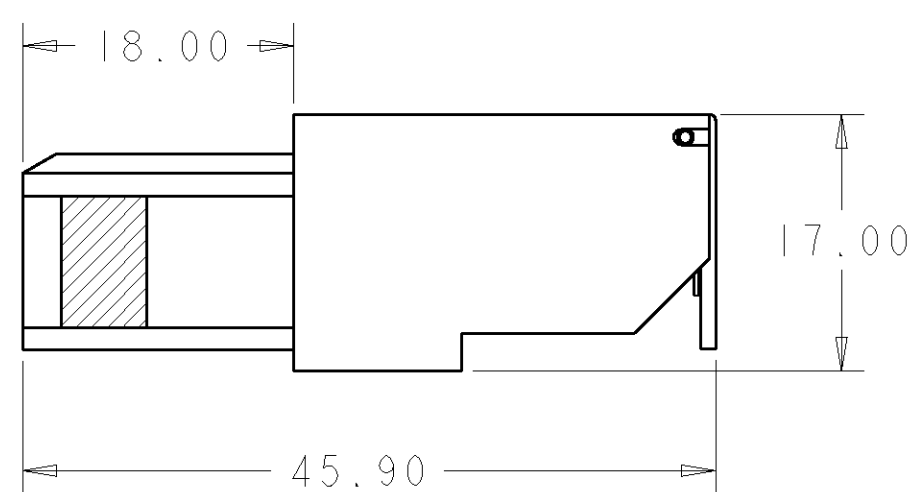
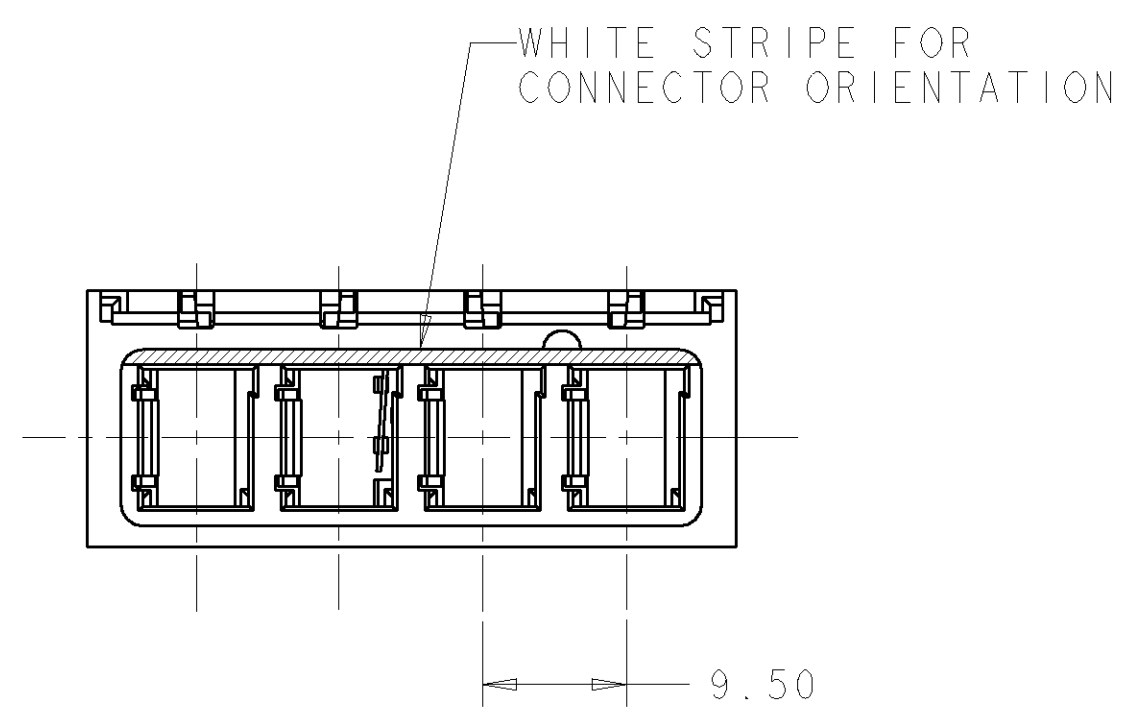
SCALE 2:1

HOUSING; MATERIAL: GLASS FILLED THERMOPLASTIC

WHITE STRIPE FOR CONNECTOR ORIENTATION

SUGGESTED PANEL CUT-OUT  
 LOOKING FROM SYSTEM CARD SIDE

MAX AREA FOR  
 RETAINING CLIP  
 TOP OF SYSTEM CARD  
 REFERENCE ONLY



**NOTE:**  
 1. HOUSING DESIGNED TO BE INSTALLED WITH RETENTION CLIP P/N 1278530-1, USING SEATING TOOL, P/N 1278945-2 AND MOTHERBOARD SUPPORT, P/N 1278944-1. REFER TO INSTRUCTION SHEET 408-8332.

6278529-1  
 PART NUMBER

THIS DRAWING IS A CONTROLLED DOCUMENT FOR TYCO ELECTRONICS CORPORATION. IT IS SUBJECT TO CHANGE AND THE CONTROLLING ENGINEERING ORGANIZATION SHOULD BE CONTACTED FOR THE LATEST REVISION.		DWN E HALEY 16 JAN 06		AMP Incorporated Harrisburg, PA 17105-3608	
DIMENSIONS: mm		CHK A PLOTTIS 16 JAN 06		NAME BOARD FOR QUAD LAYOUT	
TOLERANCES UNLESS OTHERWISE SPECIFIED: 0 PLC ± 1 PLC ±0.5 2 PLC ±0.13 3 PLC ±0.013 4 PLC ±0.0001 ANGLES ± FINISH		APVD A PLOTTIS 16 JAN 06	PRODUCT SPEC -		
MATERIAL		APPLICATION SPEC -	SIZE A200779		
		WEIGHT -	DRAWING NO C-6278529		
		CUSTOMER DRAWING	RESTRICTED TO -		
		SCALE 2:1	SHEET 1 OF 1 REV A		