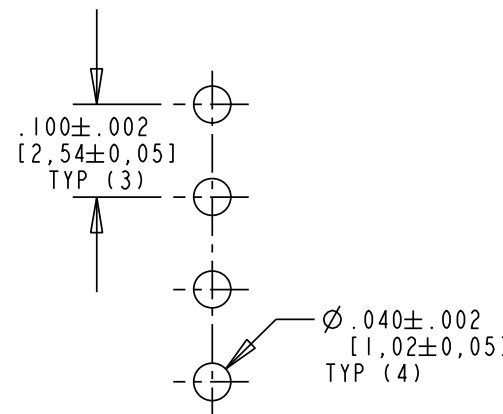
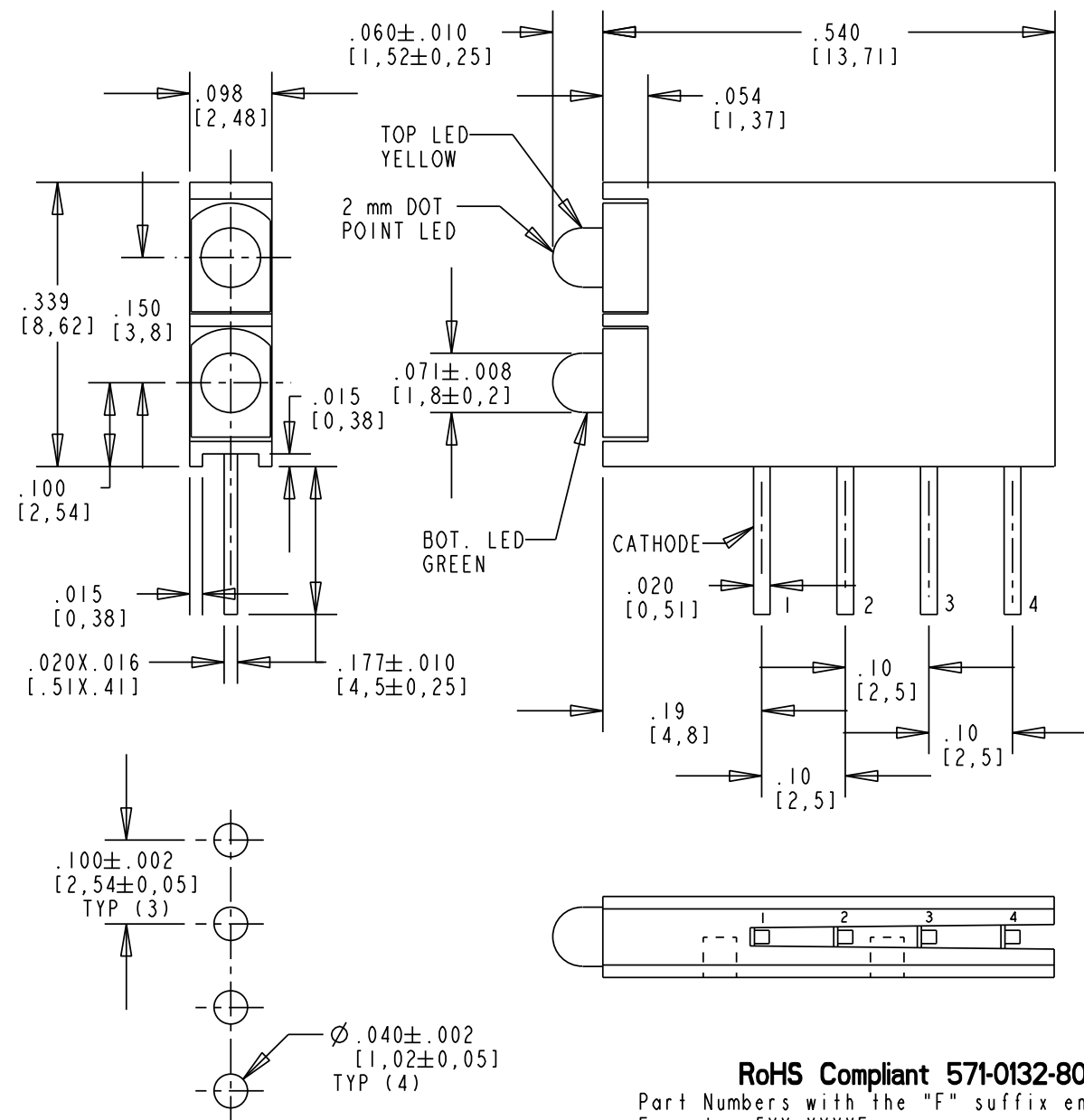
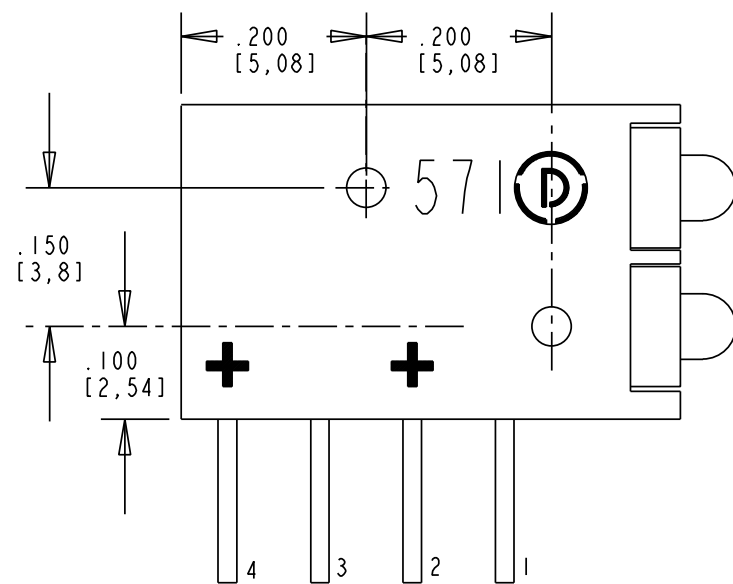
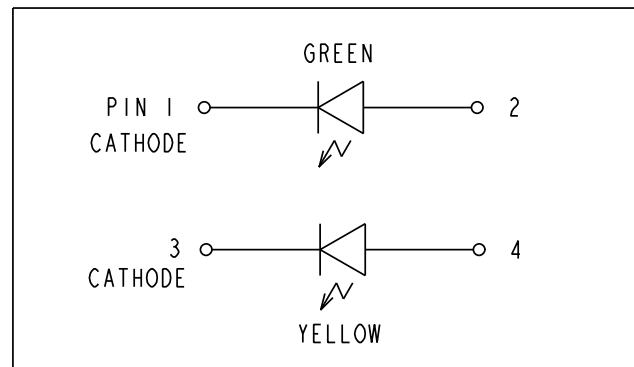


REV	ECN NO	REVISIONS	DRN	CKD	APP	DATE
A		NEW RELEASE	TWC			



RECOMMENDED PC BOARD HOLE PATTERN



**ATTENTION:
OBSERVE PRECAUTIONS FOR
HANDLING ELECTROSTATIC
SENSITIVE DEVICES**

OPERATING CHARACTERISTICS AT 25°C AMBIENT						
CHARACTERISTICS	COLOR	MIN	TYP	MAX	UNITS	TEST CONDITIONS
LUMINOUS INTENSITY	YELLOW	5	8		mcd	$I_F = 10 \text{ mA}$
	GREEN	5	10			
FORWARD VOLTAGE	YELLOW		2.1	2.5	V	$I_F = 20 \text{ mA}$
	GREEN		2.2	2.5		
DOMINANT WAVELENGTH	YELLOW		588		nm	
	GREEN		568			
PEAK EMISSION WAVELENGTH	YELLOW		590		nm	
	GREEN		565			
VIEWING ANGLE $2\theta_{1/2}$	YELLOW		70		Degree	
	GREEN		70			
CAPACITANCE	YELLOW		20		pF	$V_F = 0 \text{ V}, f = 1 \text{ MHz}$
	GREEN		15			

ABSOLUTE MAXIMUM RATING AT 25°C AMBIENT	YELLOW	GREEN	UNITS
POWER DISSIPATION	105	105	mW
FORWARD CURRENT	30	25	mA
DERATING LINEAR FROM 25 °C	.40	.33	mA/°C
REVERSE VOLTAGE	5		V
LEAD SOLDERING TEMPERATURE, 5 SEC., 1/16" FROM BODY	260		°C
OPERATING TEMPERATURE	-40 TO +85		°C
STORAGE TEMPERATURE	-40 TO +85		°C

NOTES:

- LED LEAD DIMENSIONS ARE MEASURED AT HOUSING EXIT.
- PIN NUMBERS FOR REFERENCE ONLY, DESIGNATION NON-EXISTENT ON PARTS
- DIALIGHT PART NUMBER: 571-0132-808F.
- THIS ASSEMBLY CONTAINS ELECTROSTATIC DISCHARGE SENSITIVE DEVICES (ESDS). MAINTAIN ALL PRECAUTIONARY MEASURES DURING ASSEMBLY, HANDLING AND STORAGE IN ACCORDANCE WITH IPC-A-610.

RoHS Compliant 571-0132-808F 2mm Y/G CBI
Part Numbers with the "F" suffix ending are RoHS Compliant.
Example: 5XX-XXXXF
Packaging is marked with "RoHS Compliant" label or equivalent markings.
Parts can be wave soldered, dip soldered or hand soldered using typical lead-free soldering process with max 260°C temp. for 5 sec.

THIS DRAWING AND THE CONTENTS HEREIN ARE CONFIDENTIAL AND THE SOLE PROPERTY OF DIALIGHT. REPRODUCTION OF THIS DRAWING OR CONSTRUCTION OF ANY PARTS WITHIN THIS DRAWING ARE FORBIDDEN WITHOUT THE WRITTEN CONSENT OF DIALIGHT.		
SCALE: DRAWING SCALE ALL DIM'S IN: INCHES (MM)	DRAWING NUMBER C-17411	REV A
TOLERANCES: UNLESS OTHERWISE SPECIFIED FRACTIONS: ±1/64 DECIMALS (.XX): ±.01 DECIMALS (.XXX): ±.005 DECIMALS (.XXXX): ±.0005 ANGLES: ±1°	TITLE 2MM LED BI-LEVEL CBI Y,G RoHS COMPLIANT	
FINISH:	MATERIAL	
FSCM 83330	Dialight 1501 ROUTE 34 SOUTH FARMINGDALE, NJ 07727	
	SHEET 1 OF 1	FAMILY TABLE: