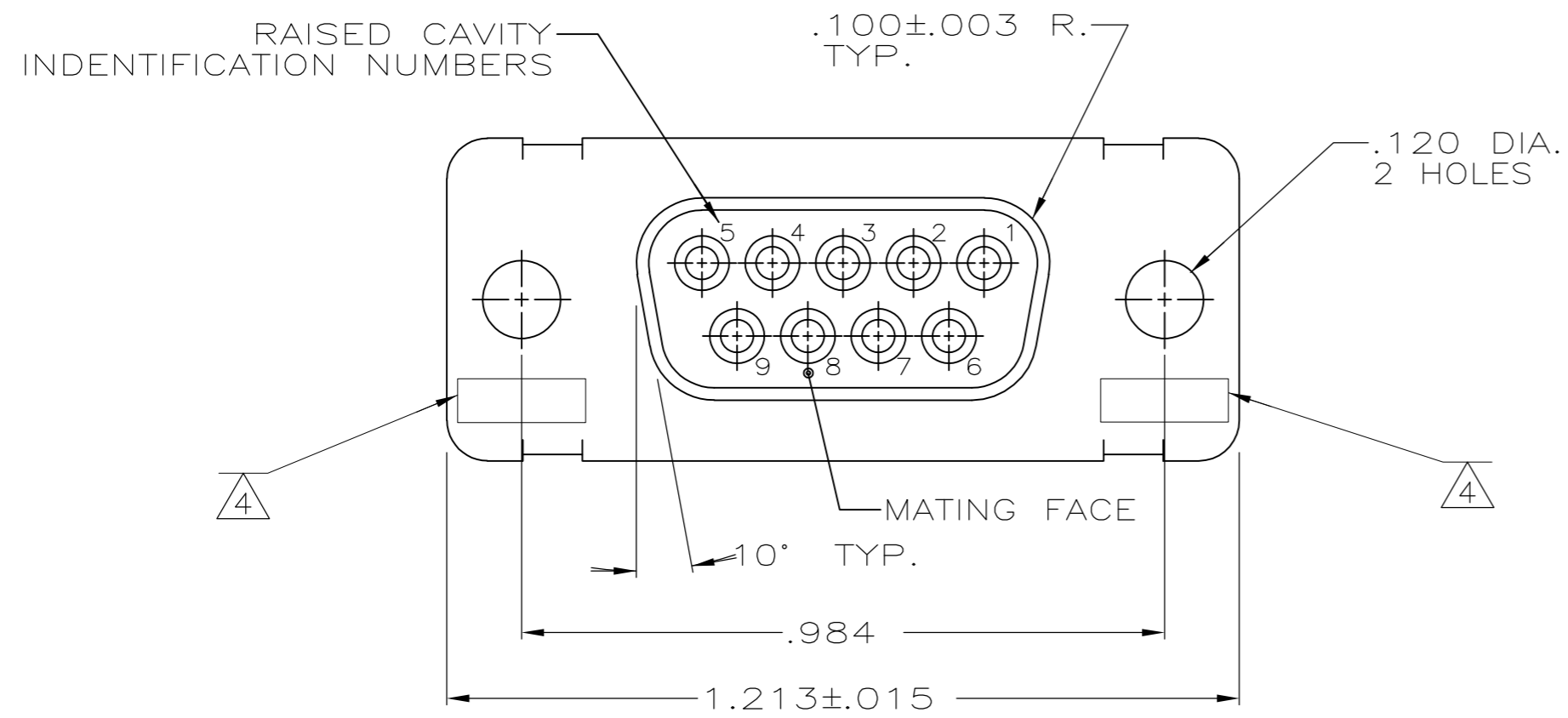
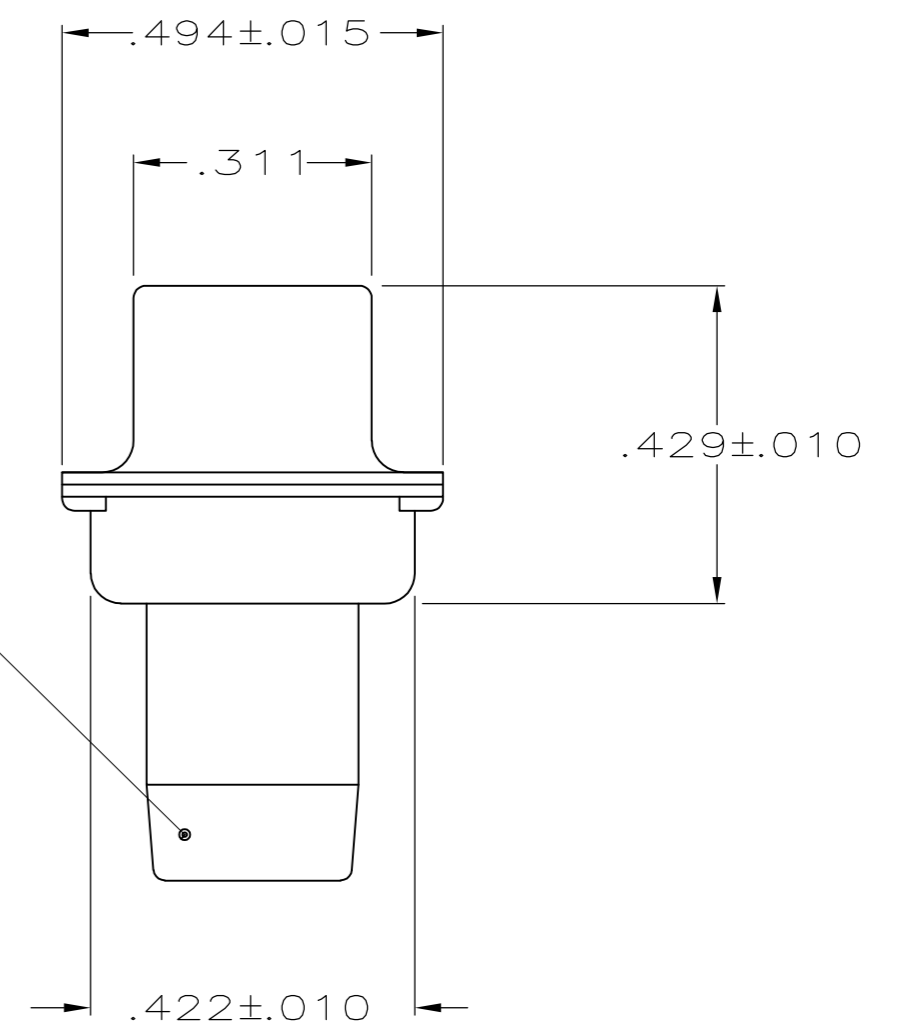
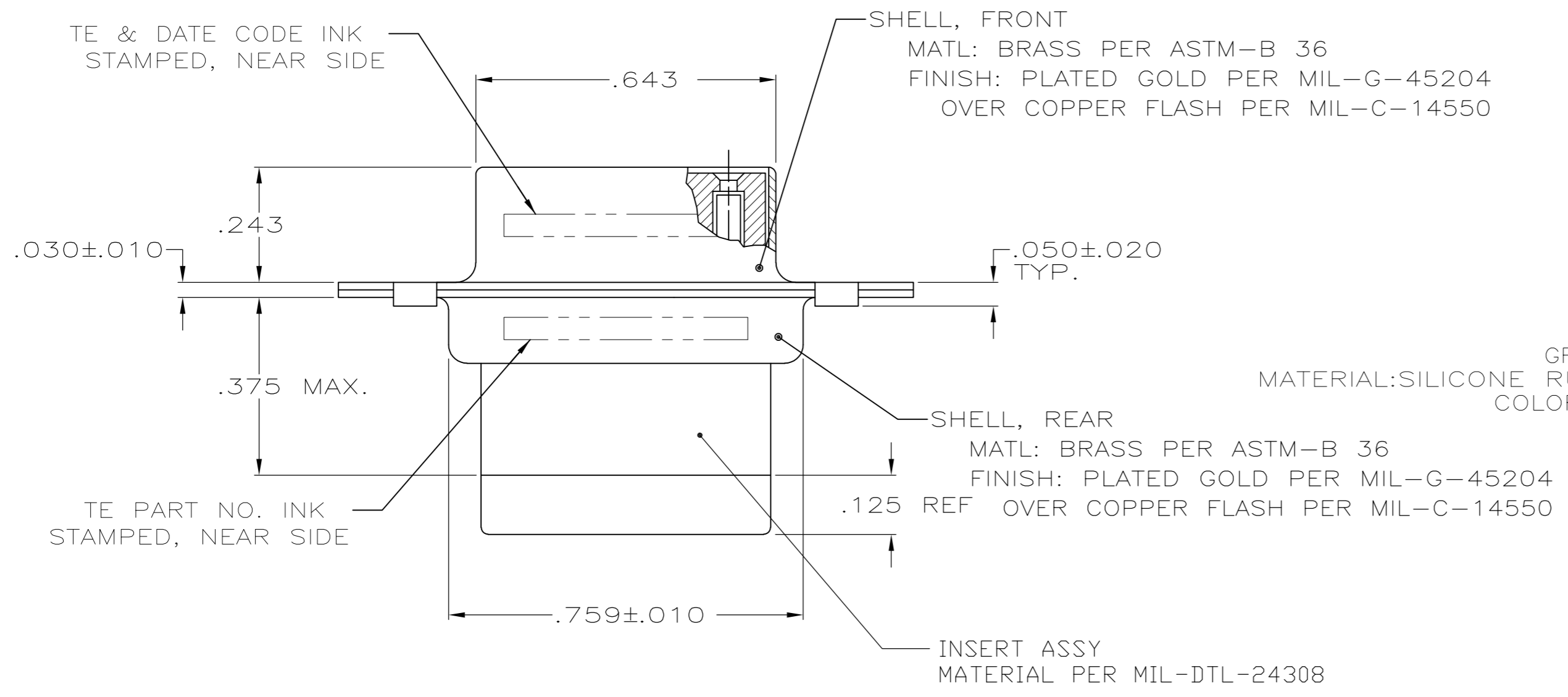


THIS DRAWING IS UNPUBLISHED. RELEASED FOR PUBLICATION
 © COPYRIGHT - By - ALL RIGHTS RESERVED.

LOC		DIST		REVISIONS			
P	LTR	DESCRIPTION		DATE	DWN	APVD	
	C	REV PER ECO-15-013283		22OCT15	KG	CD	



1. THIS RECEPTACLE IS DESIGNED TO CONFORM TO THE LATEST ISSUE OF MIL-C-24308 EXCEPT CONTACT INSERTION FORCE WILL BE 6 lb. MAX. INSTEAD OF 3 lb. MAX. AS SPECIFIED IN MIL-C-24308, 3.5.3.
 2. MAXIMUM WIRE INSULATION USED WITH THIS RECEPTACLE IS .068 DIA. MAX.
 3. BE-CU RETENTION CLIPS ARE INCLUDED IN INSERTS.
- △ UL/CSA DESIGNATION STAMPED IN THIS AREA.



445106-1
 PART NUMBER

THIS DRAWING IS A CONTROLLED DOCUMENT.		DWN	T. SHUEY	11-6-87	 TE Connectivity
DIMENSIONS: INCHES		CHK	F.C. BALLEW III	11-18-87	
TOLERANCES UNLESS OTHERWISE SPECIFIED:		APVD	D.J.M.	11-18-87	
0 PLC ± - 1 PLC ± - 2 PLC ± - 3 PLC ± .005 4 PLC ± - ANGLES ± 0°30'		PRODUCT SPEC	NAME		
MATERIAL SEE CALLOUTS		FINISH	SEE CALLOUTS		RECEPTACLE FOR SOCKET CONTACTS, HI-DENSITY HD-20 CONNECTOR, SIZE 1,9 POSN., NON-MAG., SPCL
WEIGHT		-		SIZE	A2
CUSTOMER DRAWING		SCALE		CAGE CODE	00779
SCALE		4:1		DRAWING NO	C-445106
SHEET		1 of 1		RESTRICTED TO	-
REV		C			