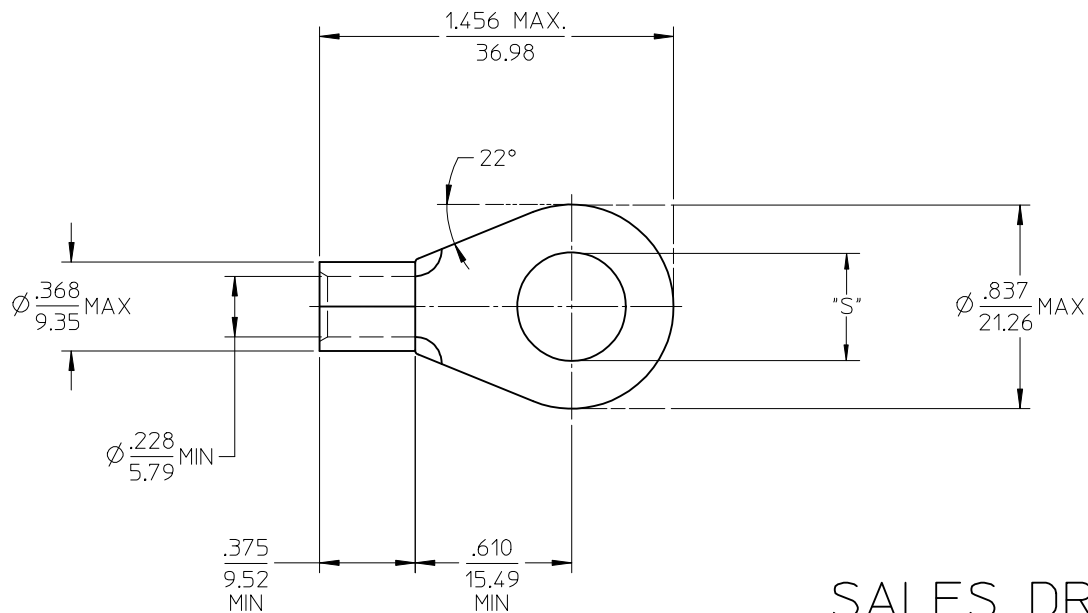
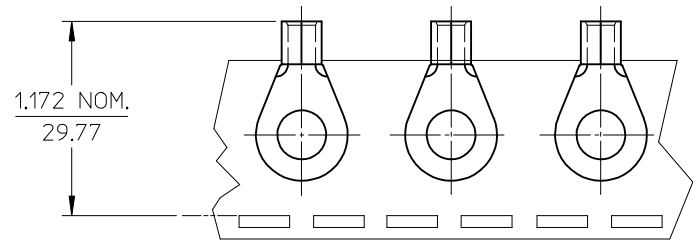


MATERIAL NO. LOOSE PIECE	ENG. NO.	MATERIAL NO. TAPE MOUNTED	ENG. NO.	STUD SIZE	"S"	STOCK THICKNESS
191930225	E-358-10	-----	-----	10	.198±.003	.057/(1.45) REF
191930229	E-358-14	-----	-----	1/4	.265±.003	
191930232	E-358-56	-----	-----	5/16	.328±.003	
191930230	E-358-38	191930231	E-358-38T	3/8	.390±.003	
191930234	E-358-76	-----	-----	7/16	.453±.003	
191930226	E-358-12	191930228	E-358-12T	1/2	.515±.003	
191930233	E-358-58	-----	-----	5/8	.649 MIN.	



SALES DRAWING

- NOTE(S):
1. MATERIAL: COPPER
 2. PLATING: ELECTROPLATE TIN
 3. ALL DIMENSIONS IN INCHES/(MM).
 4. WIRE SIZE: 6 AWG
16 MM²
 5. PART IS ROHS COMPLIANT.

CHANGE 5/8 STUD DIM EC NO: IPG2016-1554 DRWN:GROJASO1 2016/05/18 CHKD:JMACNEIL 2016/05/18 APPR:JMACNEIL 2016/05/31	QUALITY SYMBOLS ▽=0 ▽=0	GENERAL TOLERANCES (UNLESS SPECIFIED)		DIMENSION STYLE IN/MM		SCALE 2:1	DESIGN UNITS INCH	THIRD ANGLE PROJECTION		
						DRAWN BY DATE DLM 03/07/25		TITLE RING TONGUE TERMINAL VERSAKRIMP SERIES 6 AWG		
						CHECKED BY DATE HEB 03/07/25		MOLEX INCORPORATED		
						APPROVED BY DATE RWD 03/07/25				
DRAFT WHERE APPLICABLE MUST REMAIN WITHIN DIMENSIONS		MATERIAL NO. SEE CHART		SIZE B		THIS DRAWING CONTAINS INFORMATION THAT IS PROPRIETARY TO MOLEX INCORPORATED AND SHOULD NOT BE USED WITHOUT WRITTEN PERMISSION				