

4

3

2

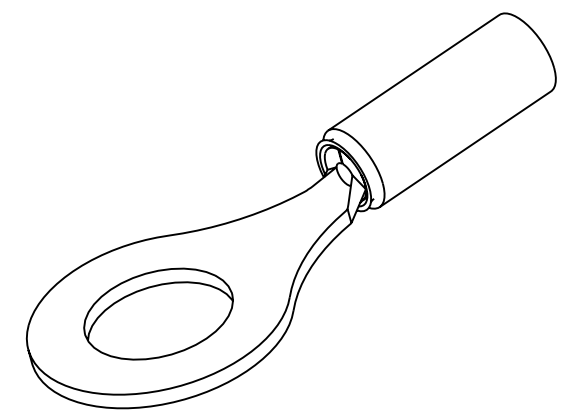
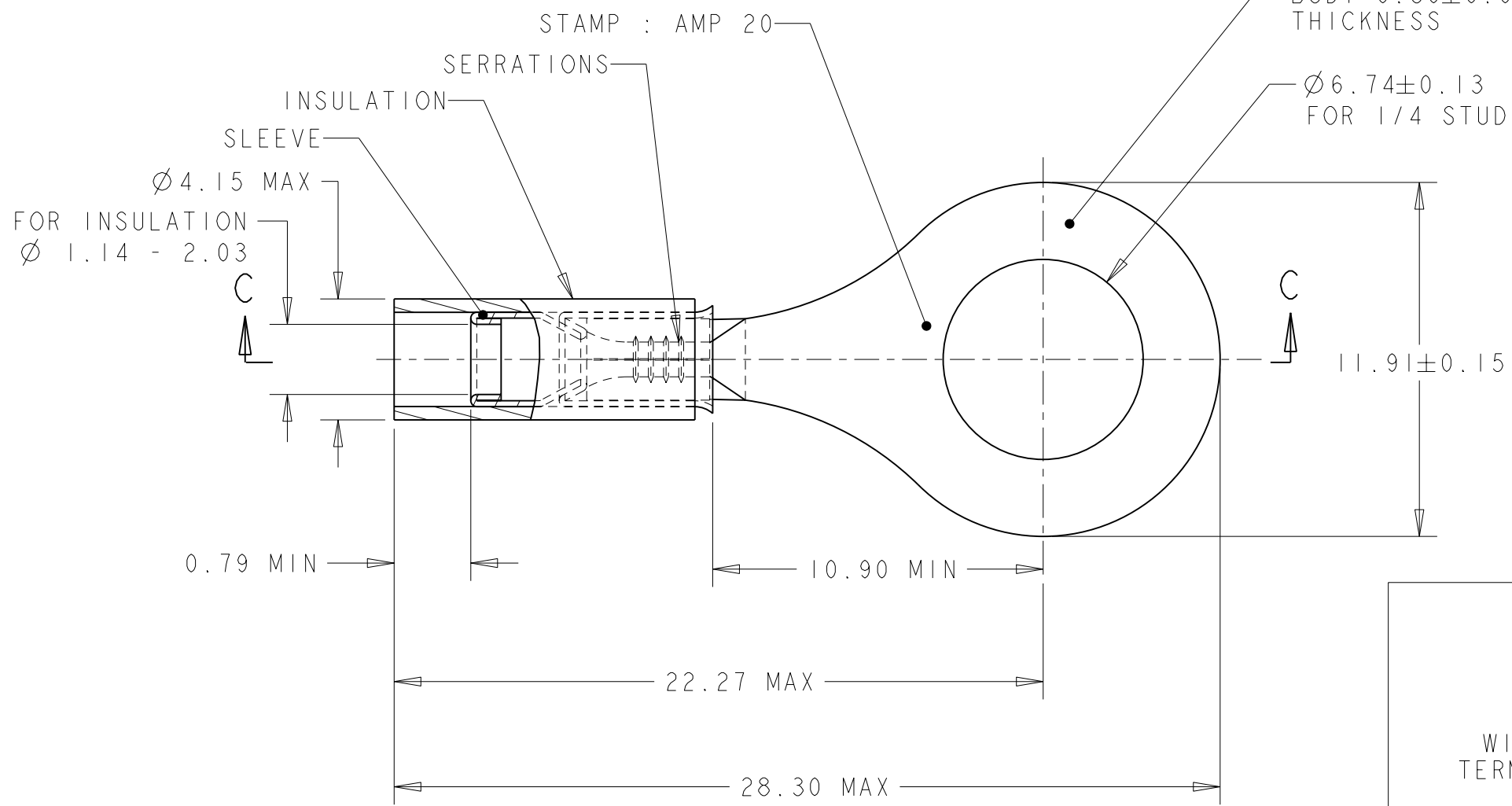
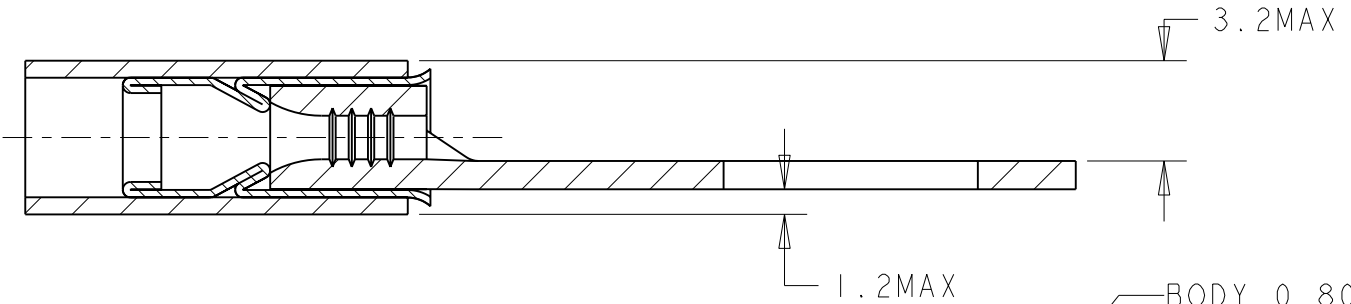
1

THIS DRAWING IS UNPUBLISHED. RELEASED FOR PUBLICATION 20
© COPYRIGHT 20 BY TYCO ELECTRONICS CORPORATION. ALL RIGHTS RESERVED.

LOC F DIST 00

REVISIONS					
P	LTR	DESCRIPTION	DATE	DWN	APVD
B		HOLE DIA. TOLERANCES	09JUN2006	JJD	YP
C		ECR 07-025006	25OCT2007	JT	GR

COUPE C-C



SCALE 3:1

WIRE TERMINAL	1577627-1	BODY : COPPER ANNEALED FINISH : NICKEL PLATED
		SLEEVE : COPPER ANNEALED FINISH : NICKEL PLATED
		INSULATION : PEEK COLOR : GREY
DESCRIPTION	PART NUMBER	MATERIAL & FINISH

THIS DRAWING IS A CONTROLLED DOCUMENT FOR TYCO ELECTRONICS CORPORATION IT IS SUBJECT TO CHANGE AND THE CONTROLLING ENGINEERING ORGANIZATION SHOULD BE CONTACTED FOR THE LATEST REVISION.		DWN 02NOV2005 JJ. DESPRETZ			TYCO ELECTRONICS France SAS BP 30039, 95301 CERGY-PONTOISE Cedex	
DIMENSIONS: mm		CHK 02NOV2005 G. ROBERT			NAME TERMINAL, PEEK PIDG STRATO, 20 AWG	
TOLERANCES UNLESS OTHERWISE SPECIFIED:		APVD 02NOV2005 Y. PETRONIN	PRODUCT SPEC 108-15356		RESTRICTED TO	
0 PLC ±-		APPLICATION SPEC 114-15102		SIZE	CAGE CODE	DRAWING NO
1 PLC ±0.3		WEIGHT 1,15 gr		A3	00779	1577627
2 PLC ±-		CUSTOMER DRAWING		SCALE 5:1		SHEET 1 OF 1
3 PLC ±-						REV C
4 PLC ±-						
ANGLES ±5						
FINISH						
MATERIAL SEE TABLE						