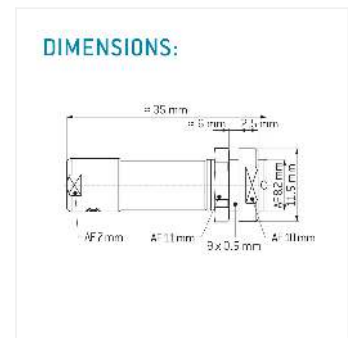
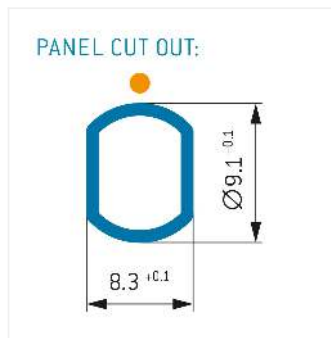
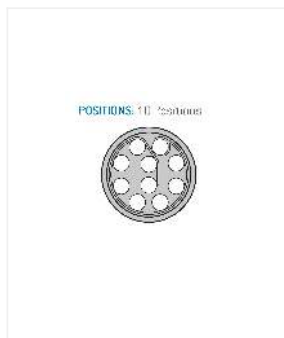
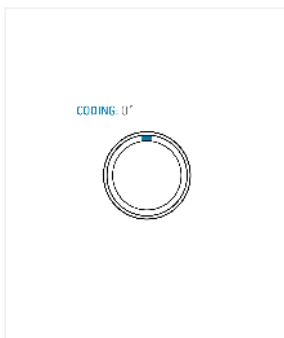


G60LOC-P10AMM9-5600
series_l, type_g6



General information

Part number	G60LOC-P10AMM9-5600
Termination	solder
Size	0
Locking principle	break , push
Coding	0_key
Cable Diameter	cable_mini_56



Contact insert description

Number of contacts	10
Contact type	sockets
Contact diameter	4_05_6_03mm
Insulator material	peek
Wire cross section	24_awg_28_awg
Termination	solder
Termination diameter	07mm045mm
Data transmission	usb_32

reverse_gender_on_request

Connection diagram

con2_usb_32

Technical information

Max. creepage and air clearance distance	03_mm	06_mm
Nominal current single contact	05_a	iec_60512_5_2
Nominal current insert	2,75 A	vde_0298_4
Test voltage	06_kv_ac	sae_13441

safety_text

Mechanical and environmental data

Degree of protection*	ip50
-----------------------	------

Operating temperature	40_120_c
-----------------------	----------

Mating cycles	5000
---------------	------

mated_unmated

Material and surface treatments

Housing	m_chrome
---------	----------

Contact	cu_alloy_gold
---------	---------------

data_text

safety_text_2

data_text

ul_text

illustrative_text