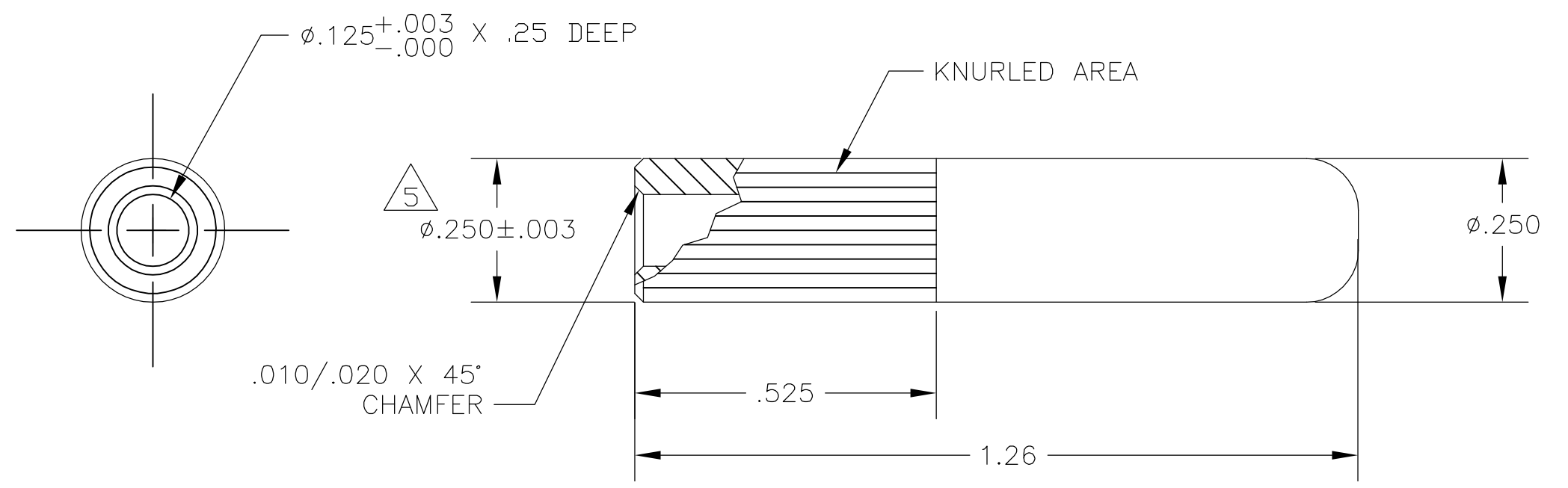


THIS DRAWING IS UNPUBLISHED. RELEASED FOR PUBLICATION  
 © COPYRIGHT - BY TYCO ELECTRONICS CORPORATION. ALL RIGHTS RESERVED.

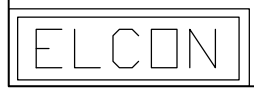
LOC	DIST	REVISIONS					
GP	00	P	LTR	DESCRIPTION	DATE	DWN	APVD
			A	RELEASED	03APR06	RG	PD



5. DIAMETER OVER KNURL.

4. FINISH: SILVER .000200 MIN THK. OVER NICKEL .000040 MIN THK.
3. MATERIAL: BRASS ALLOY.
2. ITEMS PROVIDED TO THIS SPECIFICATION SHALL BE IDENTIFIED ON THE CONTAINER WITH THE FOLLOWING INFORMATION: PART NUMBER & DATE CODE OF MFG.
1. PART NUMBER CHANGES AND/OR DESIGN CHANGES AFFECTING ITEM INTERCHANGEABILITY REQUIRE PRIOR TYCO APPROVAL AND AUTHORIZATION BY REVISION TO THIS DRAWING.

1766278-1  
PART NUMBER



THIS DRAWING IS A CONTROLLED DOCUMENT.		DWN R.GRZYBOWSKI 04APR2006	Tyco Electronics Corporation Harrisburg, PA 17105-3608	
DIMENSIONS: INCHES	TOLERANCES UNLESS OTHERWISE SPECIFIED:	CHK P.DAMATO 03APR06	NAME CONTACT, PIN, .25 DIA. WITH KNURLED BODY P/N: 711-39-02107	
	0 PLC ± -	APVD S.FLICKINGER 03APR06	SIZE	CAGE CODE
	1 PLC ± -	PRODUCT SPEC	A3	00779
	2 PLC ± .01	APPLICATION SPEC	DRAWING NO	RESTRICTED TO
	3 PLC ± .005		C-1766278	
	4 PLC ± -	WEIGHT	SCALE 1:1 SHEET 1 OF 1 REV A	
	ANGLES ± .5			
MATERIAL SEE NOTE 3	FINISH SEE NOTE 4	CUSTOMER DRAWING		