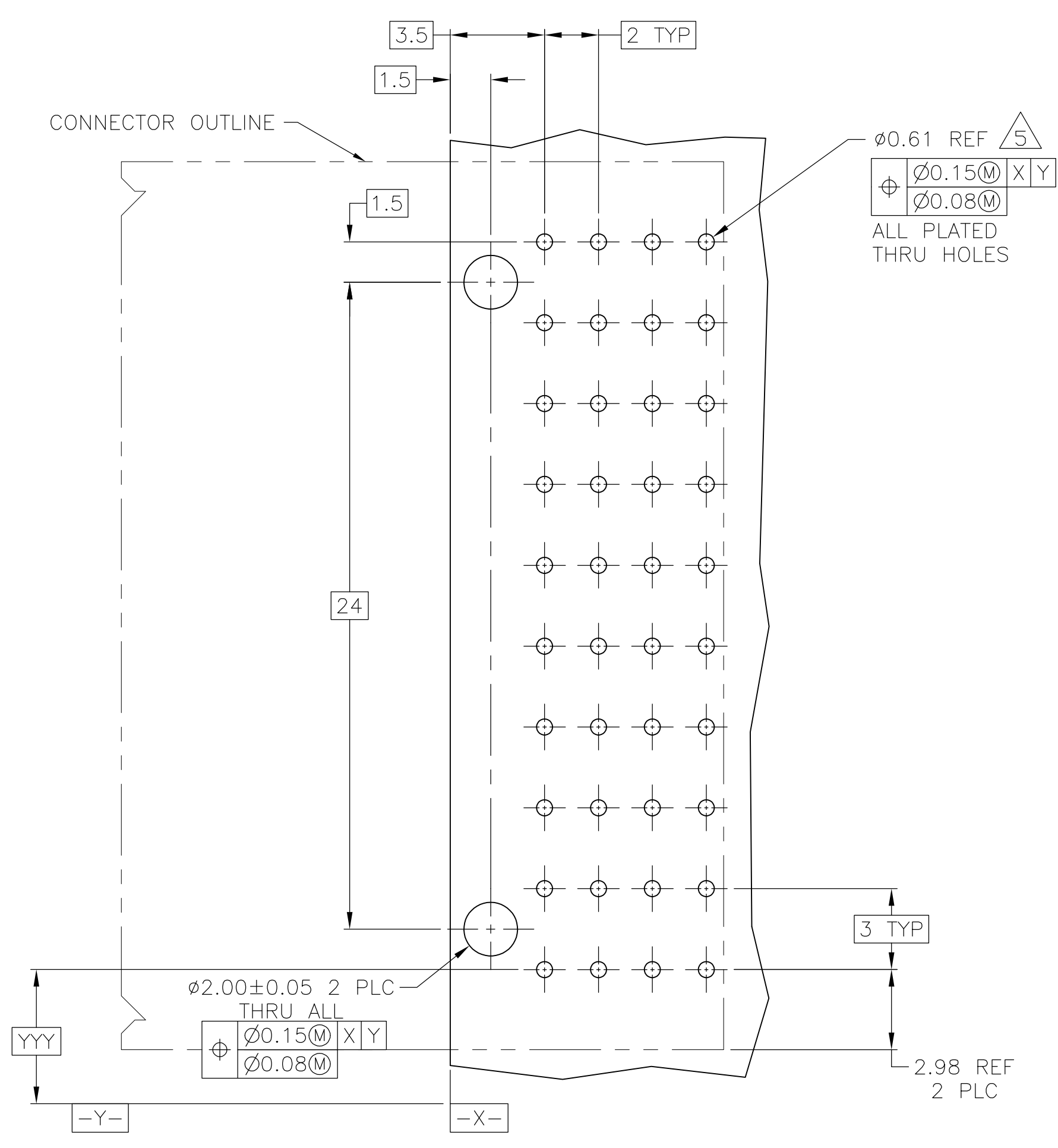
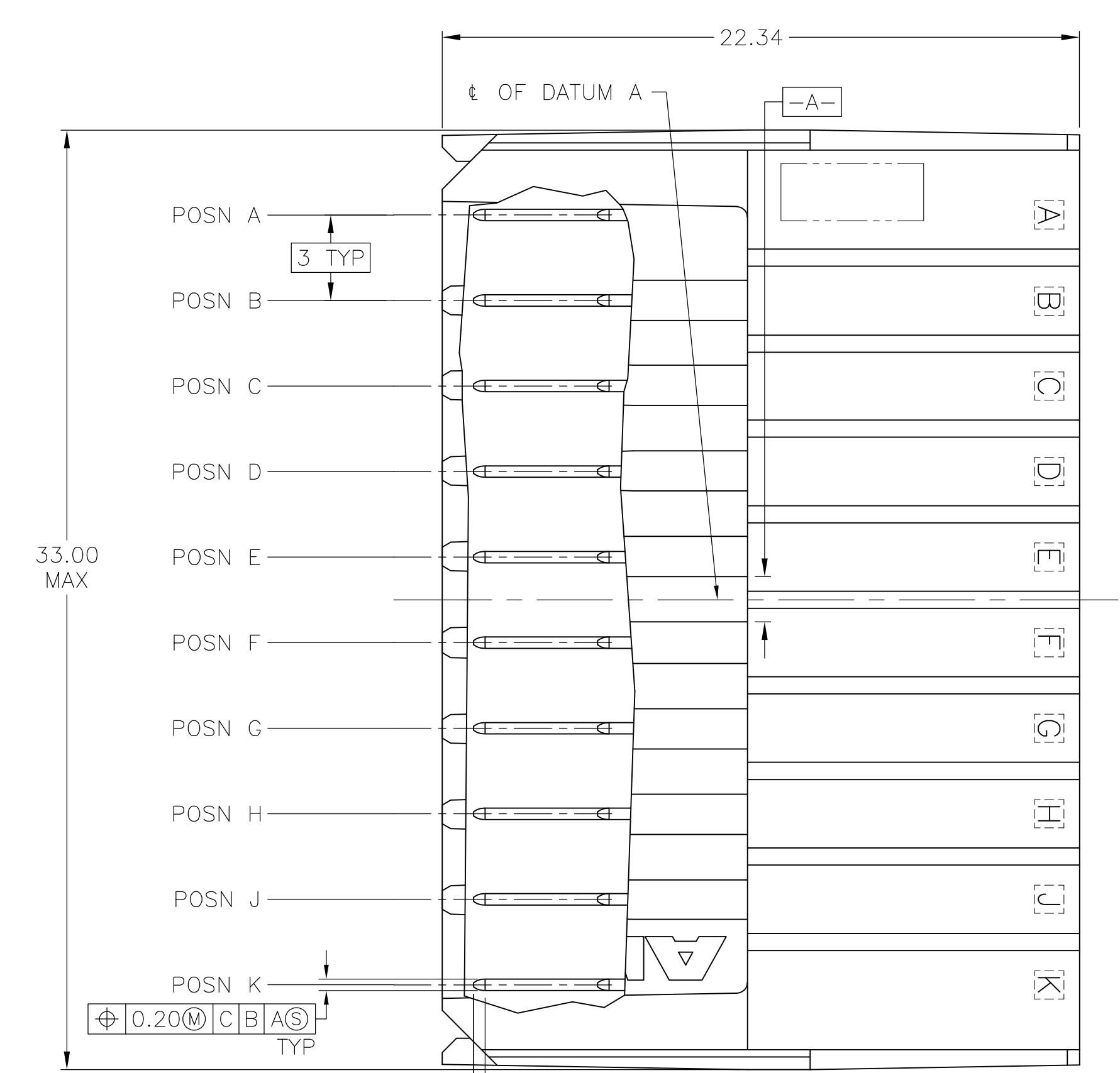


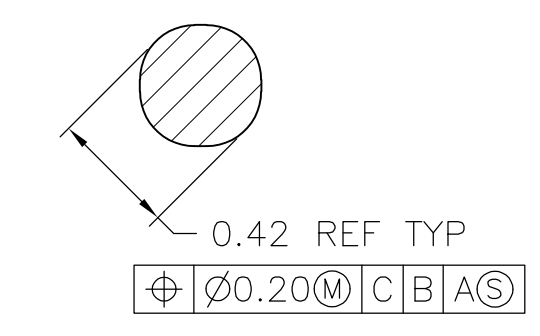
LOC		DIST		REVISIONS			
P	LTR	DESCRIPTION	DATE	DMN	APVD		
E		REVISED PER ECO-11-000045	04JAN11	DH	DY		



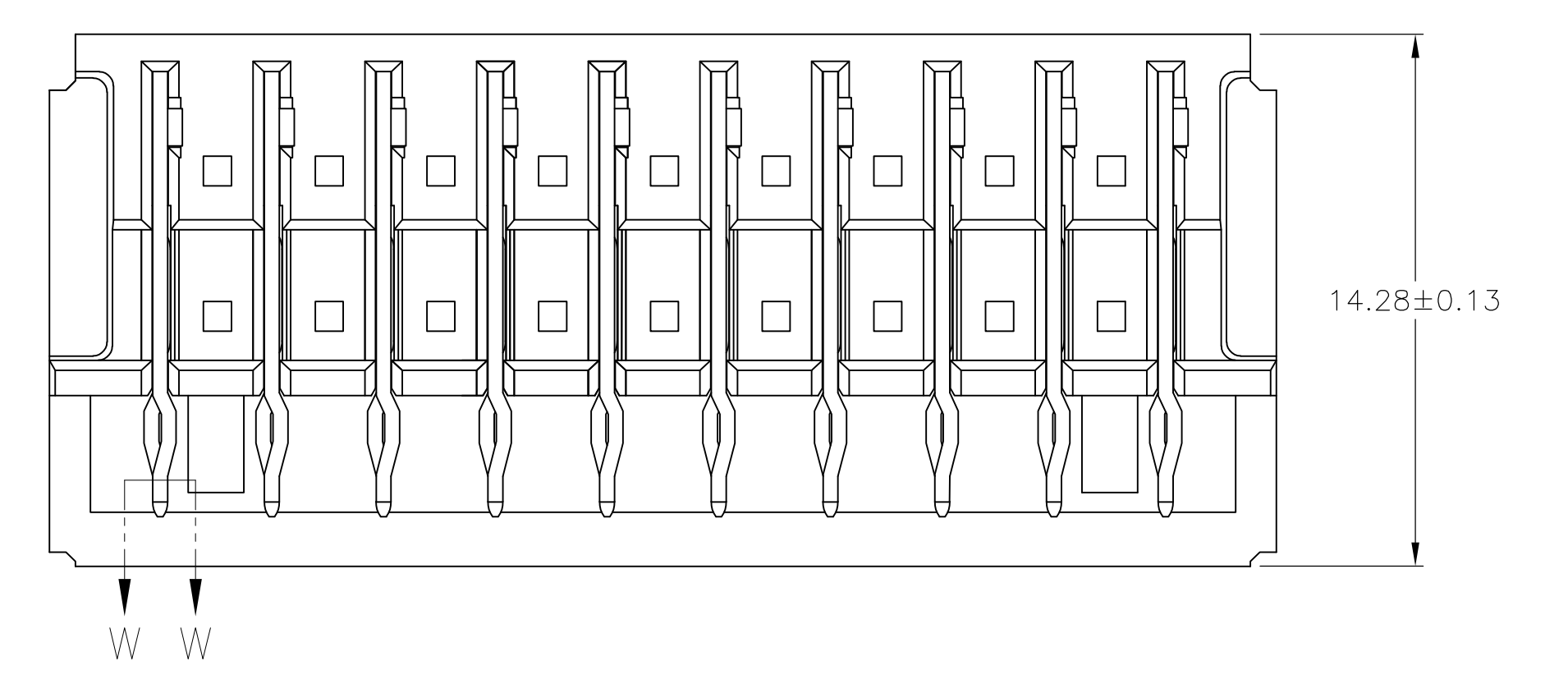
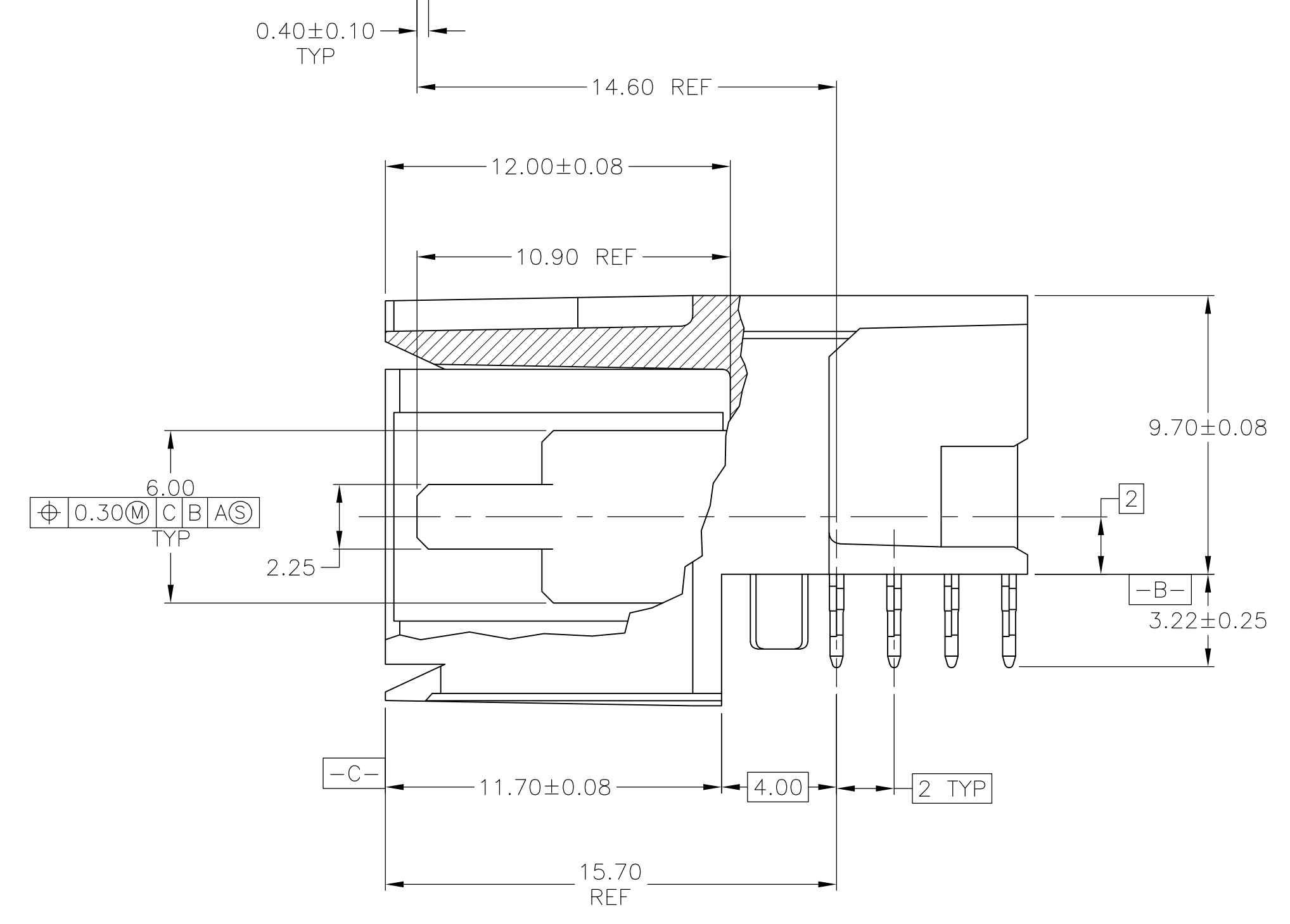
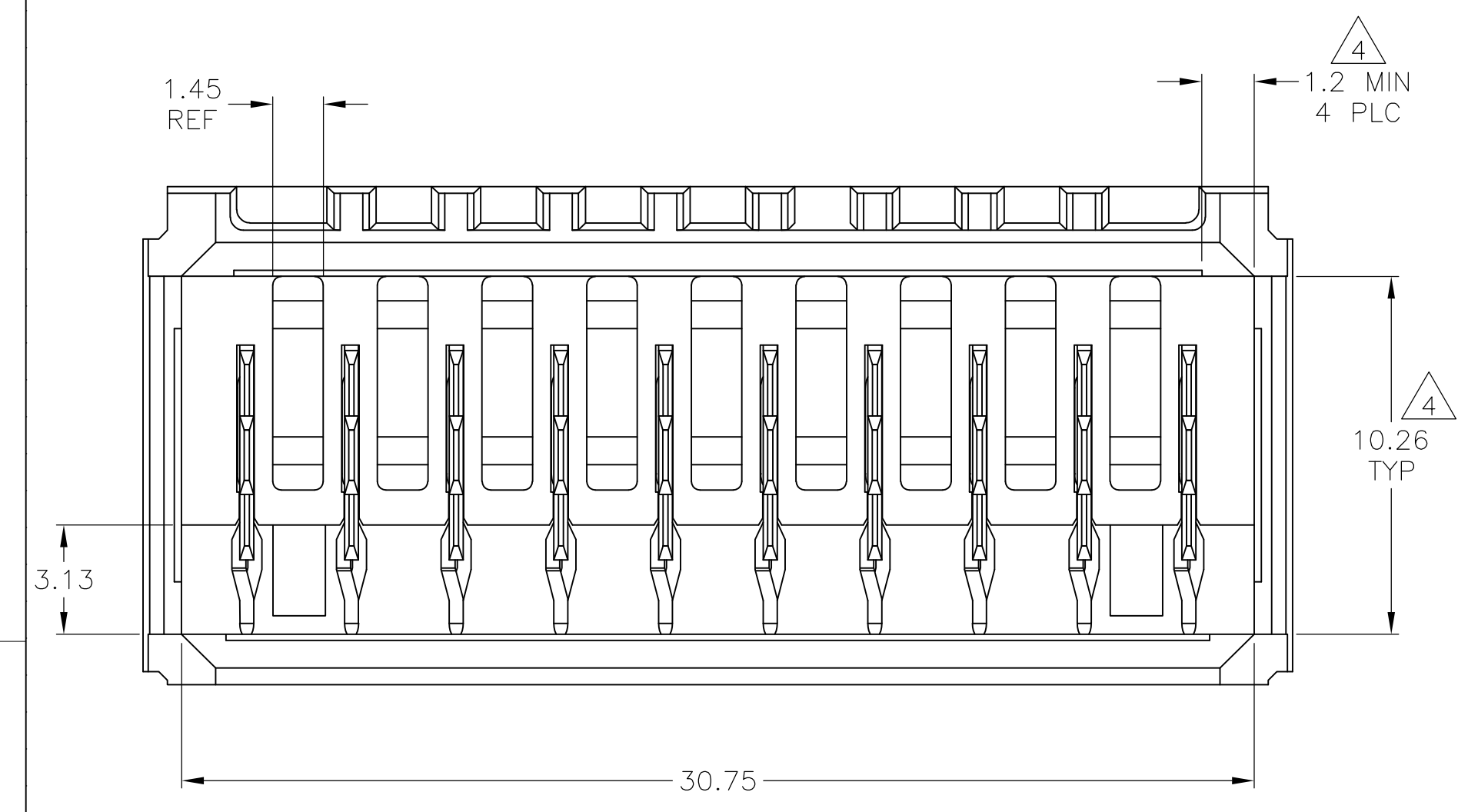
RECOMMENDED PCB HOLE LAYOUT



- 1 MATERIAL: HOUSING: POLYESTER, GRAY. UL 94V-0.
CONTACT: HIGH CURRENT COPPER ALLOY.
- 2 FINISH: CONTACT MATING AREA: 1.27µm MIN GOLD OR 0.08µm MIN GOLD OVER 0.76µm MIN PALLADIUM-NICKEL.
ACTION PIN AREA: 0.5µm MIN MATTE TIN PLATE,
ALL OVER 1.27µm MIN NICKEL UNDERPLATE.
- 3 FINISH: CONTACT LUBRICATION WITH BELLCORE APPROVED LUBRICANT. TECHNICAL REFERENCE: GR-1217-CORE, ISSUE 1, NOVEMBER 1995.
- 4 THE 10.26 ± 0.13 DIMENSION APPLIES IN THIS AREA.
- 5 REFERENCE APPLICATION SPEC 114-1103 FOR RECOMMENDED PLATED THRU HOLE DIAMETER AND PLATING THICKNESSES.
- 6. CURRENT RATING 16A/CONTACT PER PRODUCT SPEC 108-1651.



SECTION W-W
SCALE 40:1



120960-1
PART NUMBER

THIS DRAWING IS A CONTROLLED DOCUMENT.		DIN B CARBO 18OCT04	Tyco Electronics Corporation Harrisburg, PA 17105-3608
DIMENSIONS: mm		CIK R PATTERSON 18OCT04	
TOLERANCES UNLESS OTHERWISE SPECIFIED:		APVD R PATTERSON 18OCT04	NAME
0 PLC ± -		ASSEMBLY, RIGHT ANGLE HEADER, W/ RETENTION PEGS, UNIVERSAL POWER MODULE	
1 PLC ± -		APPLICATION SPEC	
2 PLC ± 0.13		SIZE	CAGE CODE DRAWING NO
3 PLC ± -		WEIGHT	A1 00779 C=120960
4 PLC ± -		CUSTOMER DRAWING	
ANGLES ± -		SCALE	6:1
		SHEET	1 OF 1
		REV	E