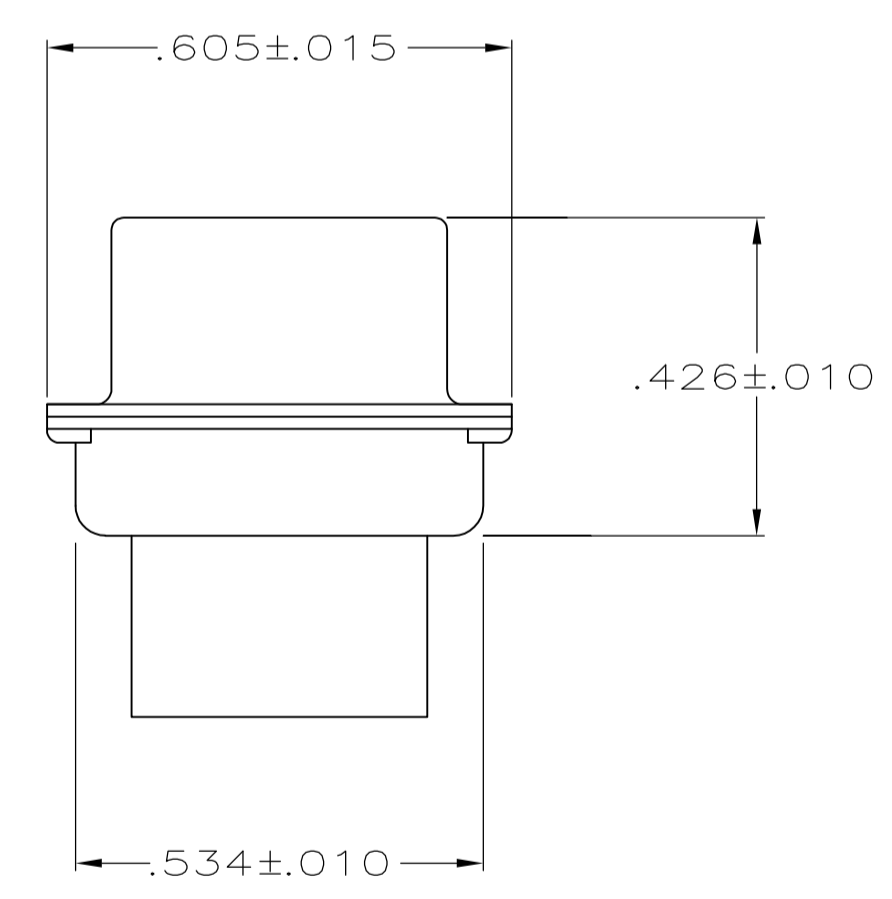
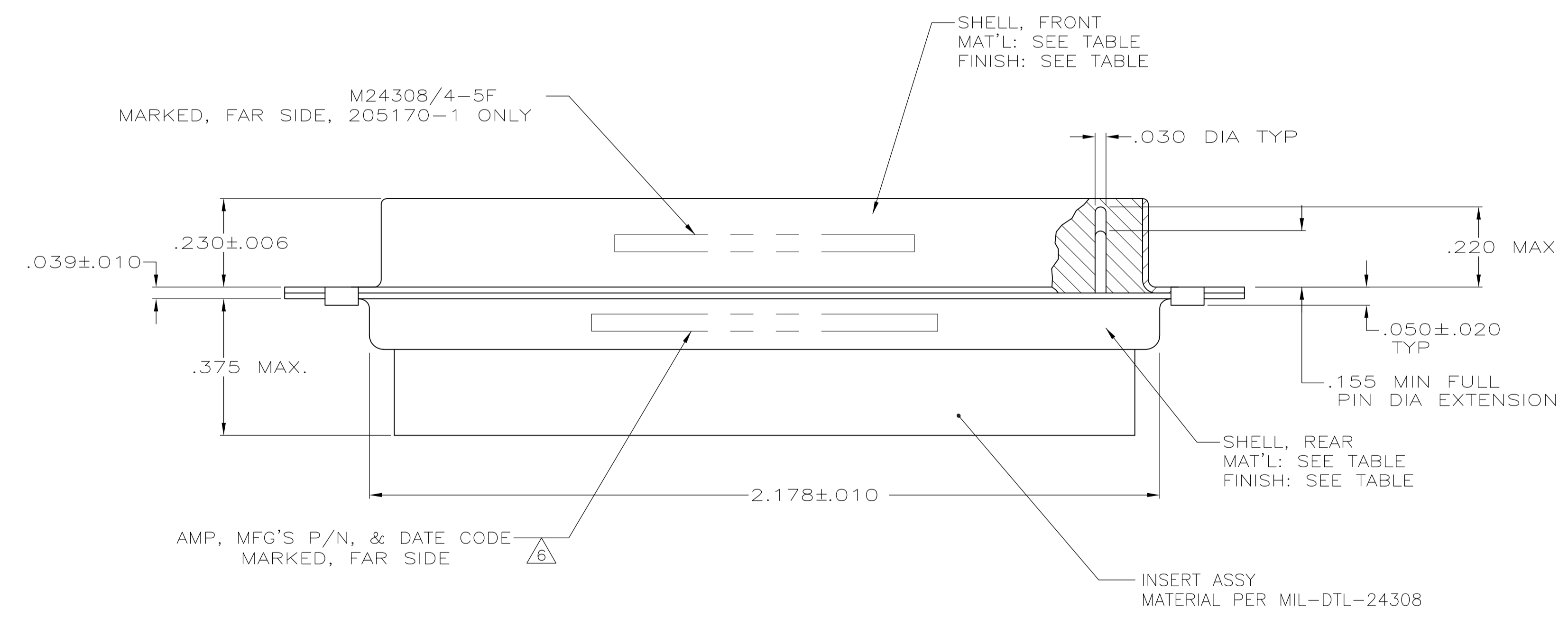
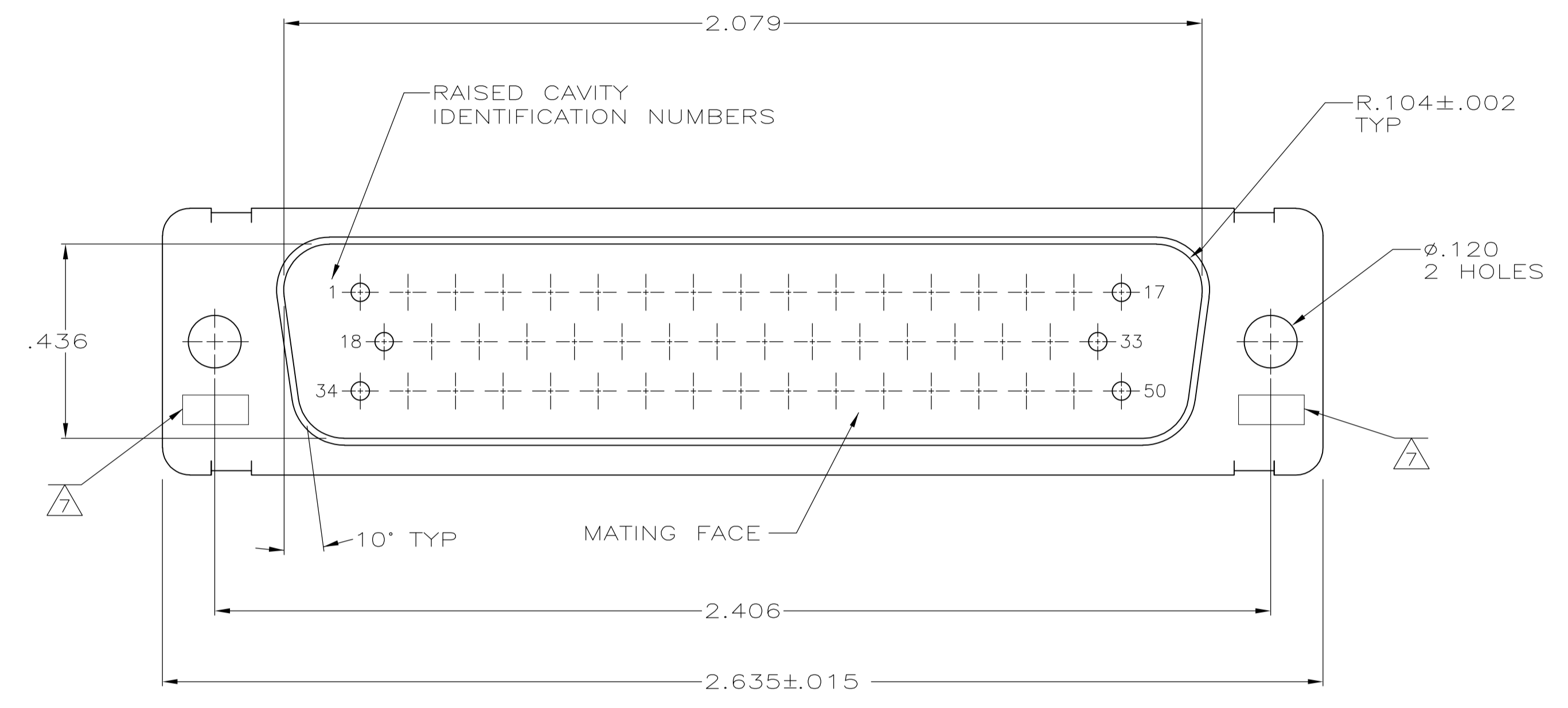


REVISONS		DATE	DWN	APVD
LOC	DIST	DESCRIPTION		
S		REV PER ECO-15-016062	10NOV15	KG CD

- THIS PLUG IS DESIGNED TO CONFORM TO THE LATEST ISSUE OF MIL-C-24308.
 - MAXIMUM WIRE INSULATION TO BE USED WITH THIS PLUG IS ϕ .068.
 - STAINLESS STEEL RETENTION CLIPS ARE INCLUDED IN INSERTS.
 - PACKAGE MARKED M 24308/4-263F.
 - THIS PLUG WILL ACCEPT SIZE 20 PIN CONTACT M39029/64-369 OR ANY TYCO ELECTRONICS HD-20 PIN CONTACT.
- \triangle 6 MFG,S PART NO. MARKED ON CONNECTOR REPRESENTS KIT NUMBER WITH CONTACTS.
 \triangle 7 UL/CSA DESIGNATION MARKED IN THIS AREA.
 \triangle 8 FINISH: BRIGHT TIN PER ASTM-B-545 .000400-.000550 THK OVER COPPER PER AMS2418 .000050 MIN THK.
 \triangle 9 FRONT SHELL HAS GROUNDING INDENTS, 205170-4 ONLY, (NOT SHOWN).



REMARKS	FINISH	SHELL MAT'L	PART NO.
OBSOLETE	-	\triangle 8	STEEL PER ASTM-A-109 205170-5
	\triangle 9	\triangle 8	STEEL PER ASTM-A-109 205170-4
SUPSD BY 206804-2	-	CADMIUM PER QQ-P-416	BRASS 205170-2
	\triangle 6	CADMIUM PER QQ-P-416	STEEL PER ASTM-A-109 205170-1

DIMENSIONS: INCHES		TOLERANCES UNLESS OTHERWISE SPECIFIED:		APPROVED		NAME	
0 PLC	± -	0	± -	C.C. THOMAS	08-DEC-87	STE Connectivity	
1 PLC	± -	1	± -	F.C. BALLEW	10-DEC-87	AMPLIMITE PLUG FOR PIN CONTACTS	
2 PLC	± -	2	± -	F.C. BALLEW	10-DEC-87	HI-DENSITY HD-20 CONNECTOR	
3 PLC	± .005	3	± .005			SIZE 5 (50 POSN) SERIES 109	
4 PLC	± -	4	± -			SIZE 5 (50 POSN) SERIES 109	
ANGLES	± -	ANGLES	± -			SIZE 5 (50 POSN) SERIES 109	
MATERIAL SEE CALLOUTS		FINISH SEE CALLOUTS		WEIGHT	-	SCALE	4:1
				CUSTOMER DRAWING		SHEET	1 OF 1
				REV	S		