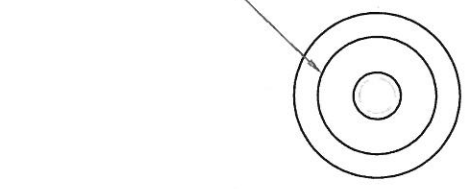
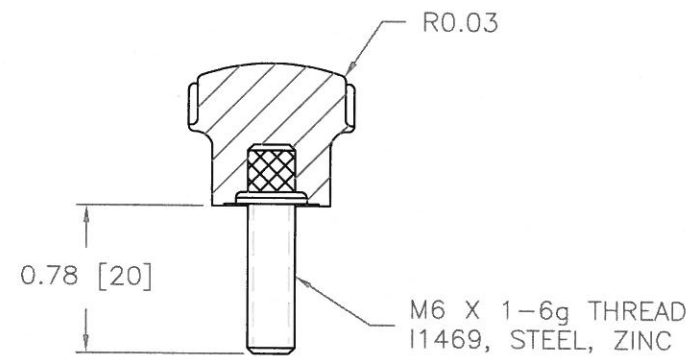
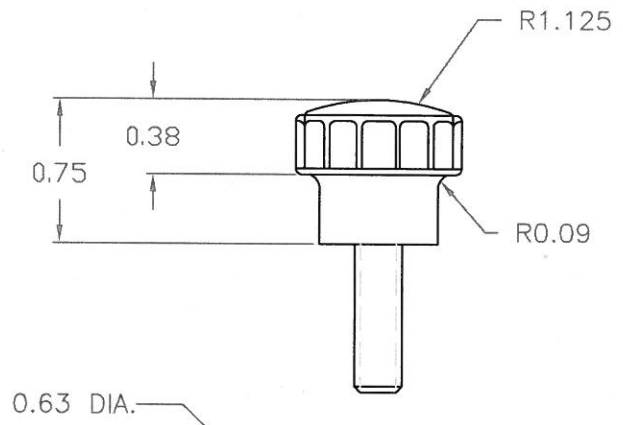
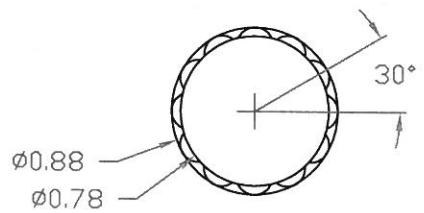


PART NAME: KNOB SCALE: 1:1 DATE: 2/6/17 DR. BY JAM

THIS DRAWING IS THE PROPERTY OF DAVIES MOLDING COMPANY, IS SUBMITTED SOLELY AS A DESIGN OR ENGINEERING PROJECT. WE ACCEPT NO RESPONSIBILITY WHATSOEVER FOR THE PRACTICAL APPLICATION OF THE PIECES MADE TO THIS DESIGN.



| | |
|------------------|--------|
| P/N | 2965QE |
| M _{NO.} | 2965 |
| CAVITY | 2965 |
| PLUNGER | 2965 |
| CHASE | 2965 |
| PIN | 2965HY |
| SHIM | # 8 |
| INSERT | I1469 |



MATERIAL: 04311 PHENOLIC (B41)
COLOR: BLACK

| | | | | |
|---|----------------------------------|---------|--|--|
| TOLERANCES: UNLESS OTHERWISE SPECIFIED | DO NOT SCALE DRAWING | | | |
| DECIMALS: X.XXX ± .005 X.XX ± .015 | MM: X.XX ± 0.15MM X.X ± 0.4MM | | | |
| FRACTIONS ± 1/64 | ANG. ± 1° | CHANGES | | |