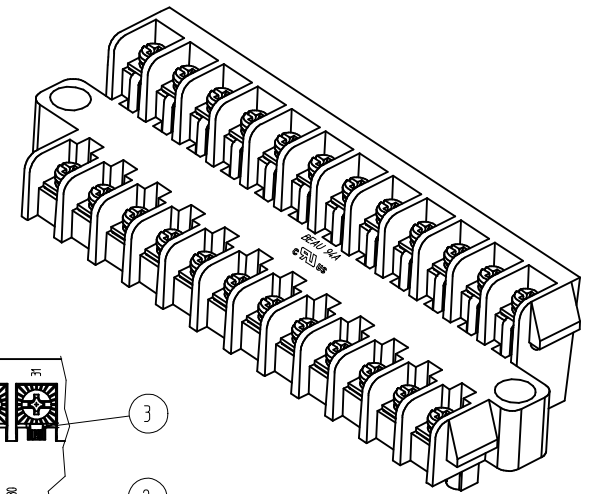
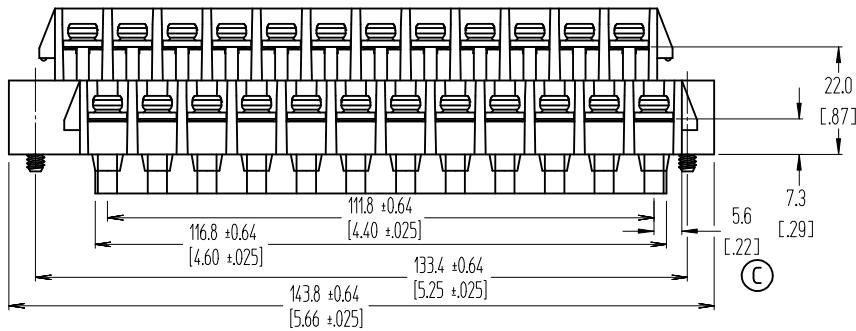
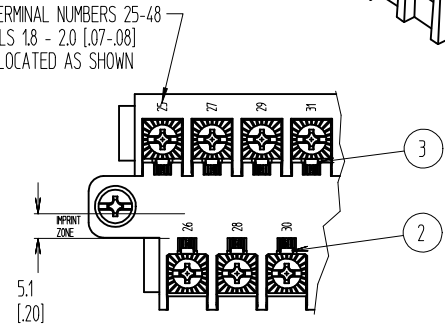
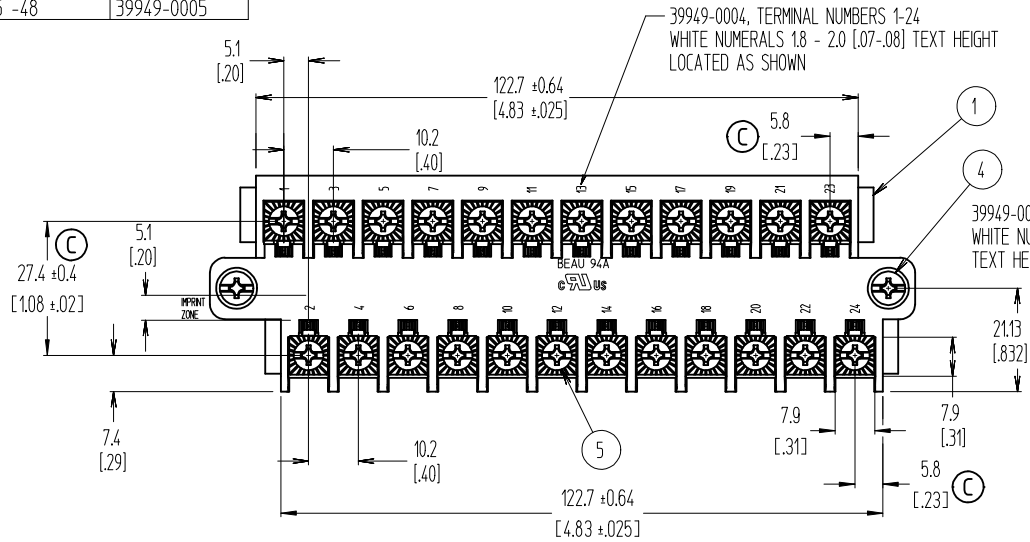


DESCRIPTION	MATERIAL NO.
NO IMPRINT	39949-0002
IMPRINT 1 - 24	39949-0004
IMPRINT 25 - 48	39949-0005



- NOTES:
1. MATERIAL: SEE TABLE
 2. FINISHES: SEE TABLE
 3. MATES WITH: SPCL 24/C HEADER.
 4. INCH DIMS ARE SHOWN IN BRACKETS [XXX].
 5. ASSEMBLY IS ROHS COMPLIANT.

5	24	SCREW, WIRING, 6-32 X .437	STEEL	ZN/CLEAR CHROMATE
4	2	SCREW, MOUNTING, 6-32 X .5	STEEL	ZN/CLEAR CHROMATE
3	12	LONG TERMINAL	PHOS. BRONZE	TIN PLATE
2	12	SHORT TERMINAL	PHOS. BRONZE	TIN PLATE
1	1	PLUG HOUSING	POLYESTER (PBT/PO)	BLACK
ITEM	QTY.	DESCRIPTION	MATERIAL	FINISH

MOVE DIM POSITION EC NO: WNA2010-0195 DRW:KLYORK 2009/09/17 CHK:DTITUS 2009/09/17 APPR:DTITUS 2009/09/17	QUALITY SYMBOLS
	▼=0 ▽=0

GENERAL TOLERANCES (UNLESS SPECIFIED)
4 PLACES ± --- ± ---
3 PLACES ± --- ± .005
2 PLACES ± 0.13 ± .01
1 PLACE ± 0.3 ± ---
ANGULAR ± 2 °
DRAFT WHERE APPLICABLE MUST REMAIN WITHIN DIMENSIONS

DIMENSION STYLE	SCALE	DESIGN UNITS	THIRD ANGLE PROJECTION
MM/IN	1:1	INCH	
DRAWN BY	DATE	TITLE	
J. FARMER	2004/05/03	PLUG, 7.9/31 SQ. EUROMATE 24 ASY.	
CHECKED BY	DATE	MATERIAL NO.	
R. KEMP	2004/05/03	SEE CHART	
APPROVED BY	DATE	DOCUMENT NO.	SHEET NO.
DTITUS	2009/09/17	SD-39949-004	1 OF 1

MOLEX INCORPORATED THIS DRAWING CONTAINS INFORMATION THAT IS PROPRIETARY TO MOLEX INCORPORATED AND SHOULD NOT BE USED WITHOUT WRITTEN PERMISSION	
---	--