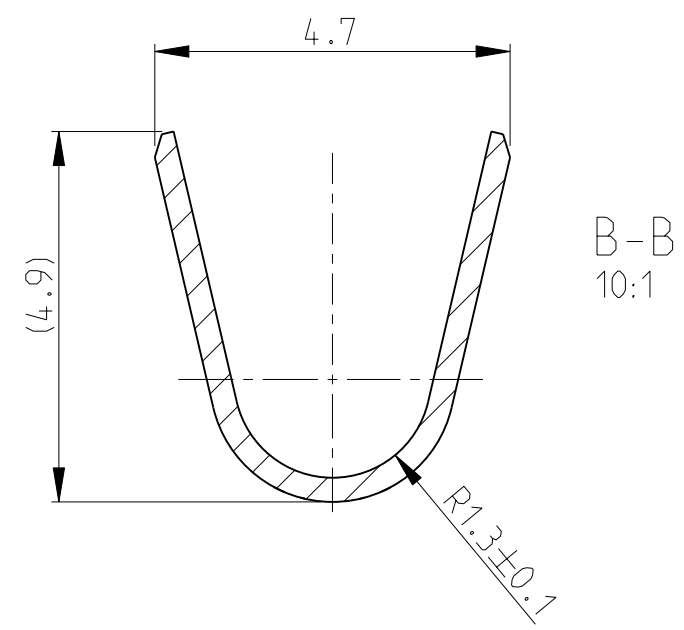
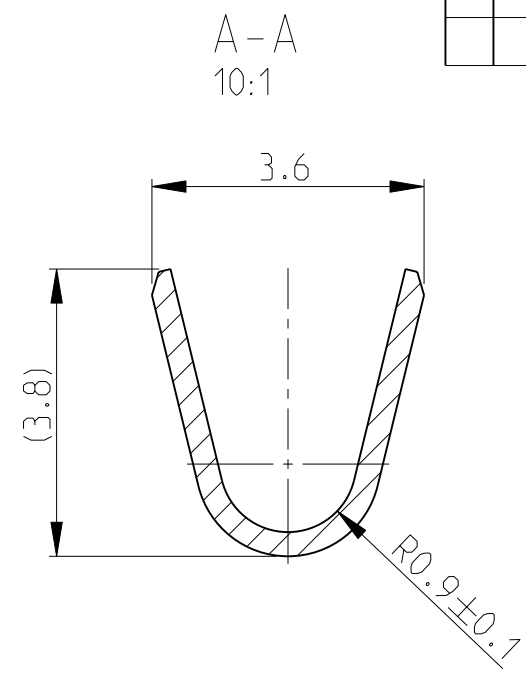
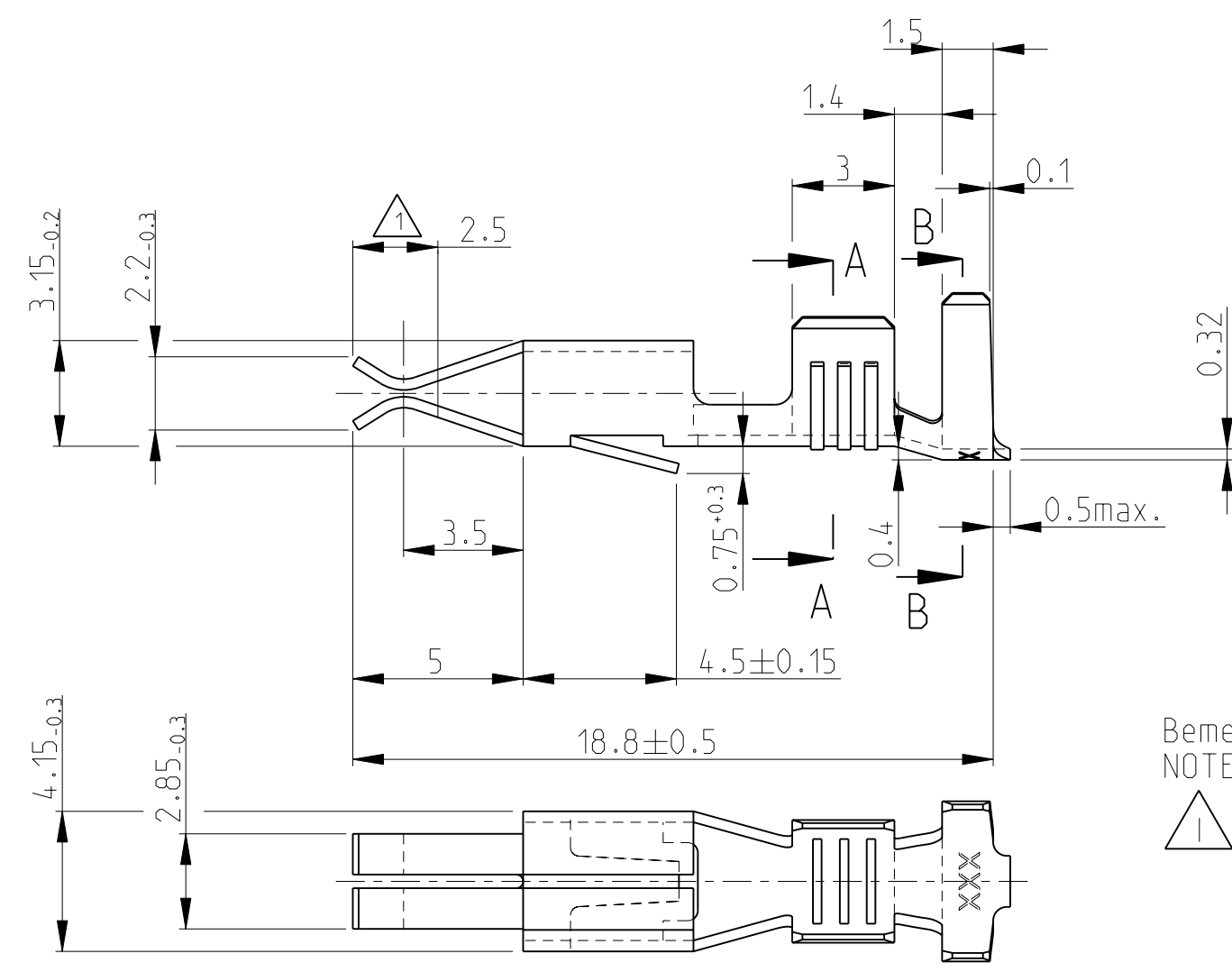


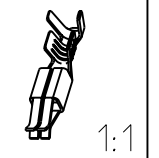
THIS DRAWING IS UNPUBLISHED. RELEASED FOR PUBLICATION 2005
 © COPYRIGHT 2005 BY TYCO ELECTRONICS CORPORATION. ALL RIGHTS RESERVED.

LOC	DIST	REVISIONS				
P	LTR	DESCRIPTION	DATE	DWN	APVD	
A1	-	S	NEW CAD DRAWING CREATED	23MAR2007	Abr	BrU



Bemerkungen
NOTES

- △ Kontaktkoerper vorversilbert min. 0.8 µm
Kontaktzone vorversilbert min. 3 µm
- CONTACTBODY PRESILVERED MIN. 0.8 µm
CONTACTZONE PRESILVERED MIN. 3 µm



Leitung / WIRE : FLR-Leitng / FLR-WIRE
 Leiter / WIRE : F-Crimp
 Isolation/INSULATION : OVL-Crimp

Drahtgrößenbereich >1.0-2.5 mm²
 WIRE RANGE 1.0-2.5 mm²
 Isolationsbereich Ø2.1-3.1 mm
 INSULATION RANGE Ø2.1-3.1 mm

Einzel- anschlag SINGLE CONNECTION	Leitungsquerschnitt in mm ² CROSS - SECTION IN mm ²						
	0.50	0.75	1.00	1.50	2.00	2.50	3.00
0.50		X	X	X	X		
0.75	X	X	X	X			
1.00	X	X	X	X			
1.50	X	X	X	X			
2.00	X	X					
2.50	X						
3.00							

THIS DRAWING IS A CONTROLLED DOCUMENT FOR TYCO ELECTRONICS CORPORATION
 IT IS SUBJECT TO CHANGE AND THE CONTROLLING ENGINEERING ORGANIZATION
 SHOULD BE CONTACTED FOR THE LATEST REVISION.

DIMENSIONS: mm	TOLERANCES UNLESS OTHERWISE SPECIFIED: 0 PLC ± 1 PLC ± ±0.2 2 PLC ± 3 PLC ± 4 PLC ± ANGLES ±
MATERIAL -	FINISH -

LOOSE PIECE	MATERIAL	FINISH	PART NO	REV
927857-5	CuSn4	△	927856-5	S
927857-4	CuZn30	vorversilbert/PRESILVERED	927856-4	S
927857-2	CuSn4	vorverzinnt/PRETINED	927856-2	S
927857-1	CuZn30	vorverzinnt/PRETINED	927856-1	S

tyco Electronics AMP GmbH
 D - 64625 Bensheim

NAME: Junior-Timer-Kontakt
 JUNIOR-TIMER-CONTACT

PRODUCT SPEC: 108-18053
 APPLICATION SPEC: 114-18079
 WEIGHT: 0.35 g

SIZE: A3 CAGE CODE: 00779 DRAWING NO: 927856 RESTRICTED TO: -

CUSTOMER DRAWING SCALE: 5:1 SHEET: 1 OF 1 REV: S