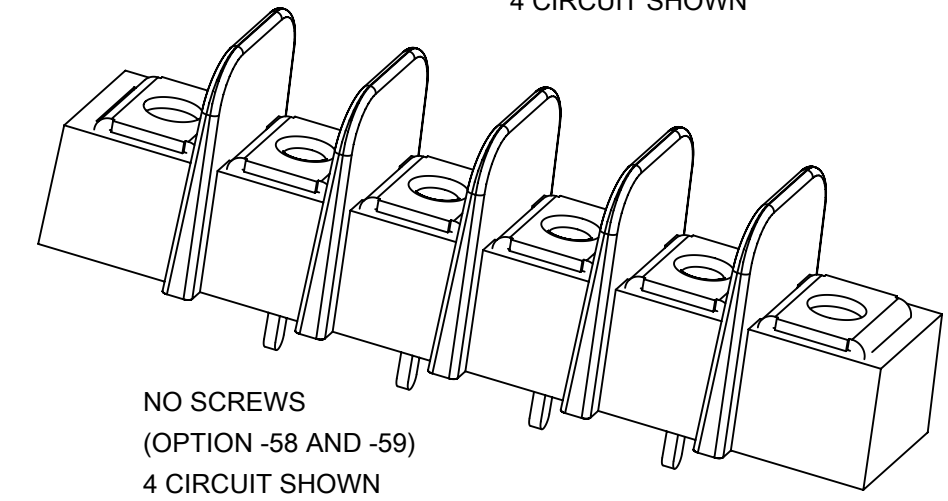
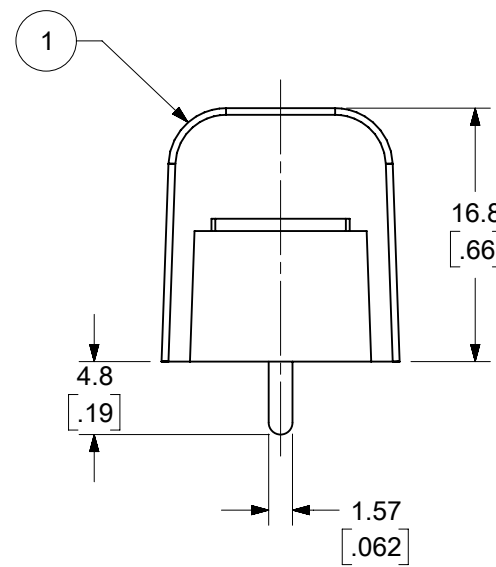
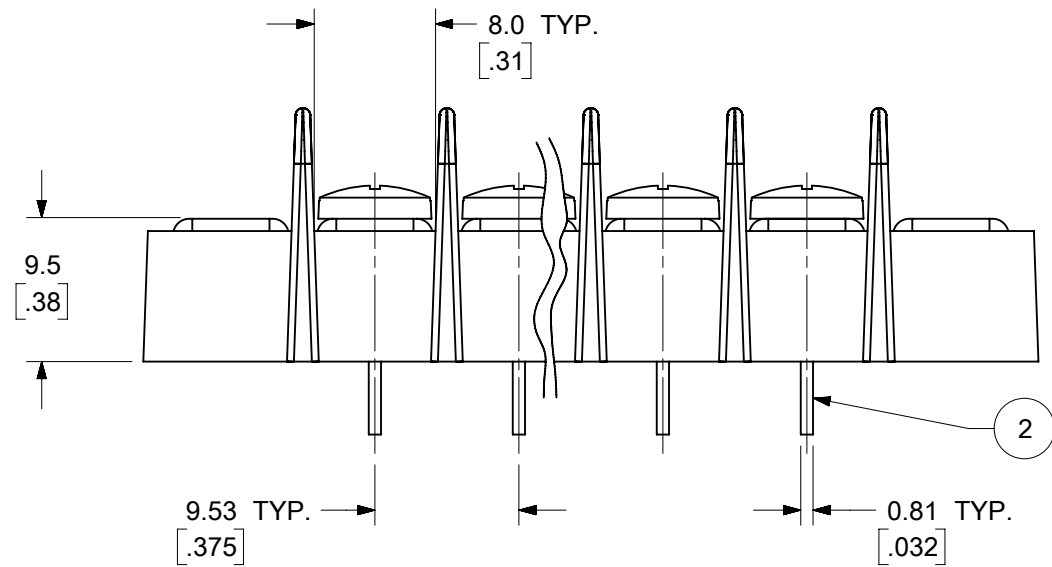


WIRE READY SPEC. (OPTION -47)  
(FOR OPTIONAL SCREW -50  
AND STANDARD SCREW.)



NOTES:

1. MATERIAL: SEE TABLE
2. FINISHES: SEE TABLE
3. INCH DIMENSIONS ARE IN BRACKETS [XXX].
4. REFER TO SD-38120-001 FOR IMPRINTING OPTIONS 10A AND 11A.
5. REFER TO SD-38120-007 FOR IMPRINTING OPTION 12A.
6. "XX" REFERS TO THE QUANTITY OF CIRCUITS.
7. ALL COMPONENTS ARE ROHS COMPLIANT.

|      |      |                                        |                 |                    |
|------|------|----------------------------------------|-----------------|--------------------|
| 10   | XX   | #6-32 WRDY W/WASH SCR (OPT -47,-50)    | STEEL           | ZN, CLEAR CHROMATE |
| 9    | XX   | #6-32 PH/SLOT WRDY SCR (OPT -47)       | STEEL           | ZN, CLEAR CHROMATE |
| 8    | XX   | #6-32 BHD, PHIL-SLOT SST SCR (OPT -56) | STAINLESS STEEL | PASSIVATE          |
| 7    | XX   | #6-32 PH/SL W/WASH SCR (OPT -49,-50)   | BRASS           | NICKEL             |
| 6    | XX   | #6-32 PH/SL W/WASH SCR (OPT -50)       | STEEL           | ZN, CLEAR CHROMATE |
| 5    | XX   | #6-32 PH/SLOTTED SCREW (OPT -49)       | BRASS           | NICKEL             |
| 4    | XX   | #6-32 PH/SLOTTED SCREW (STD)           | STEEL           | ZN, CLEAR CHROMATE |
| 3    | 2    | MOUNTING PLATE                         | BRASS           | NICKEL             |
| 2    | XX   | TERMINAL, PC                           | BRASS           | BRT. TIN/CU        |
| 1    | 1    | INSULATOR, SINGLE ROW                  | PBT             | BLACK              |
| ITEM | QTY. | DESCRIPTION                            | MATERIAL        | FINISH             |

| TOLERANCES |       |           |       |
|------------|-------|-----------|-------|
| MM         | TOL   | INCH      | TOL   |
| 0-6        | ±0.25 | 0-.24     | ±.010 |
| >6-30      | ±0.40 | .24-1.18  | ±.016 |
| >30-120    | ±0.50 | 1.18-4.76 | ±.020 |
| >120       | ±0.80 | >4.76     | ±.031 |

|                   |                                                      |                                                                                                                                               |                                                   |
|-------------------|------------------------------------------------------|-----------------------------------------------------------------------------------------------------------------------------------------------|---------------------------------------------------|
| SYMBOLS           |                                                      | THIS DRAWING CONTAINS INFORMATION THAT IS PROPRIETARY TO MOLEX ELECTRONIC TECHNOLOGIES, LLC AND SHOULD NOT BE USED WITHOUT WRITTEN PERMISSION |                                                   |
| ▽ = 0             | DIMENSION UNITS                                      | SCALE                                                                                                                                         | CURRENT REV DESC: ADDED PNS 387290485 & 387291667 |
| ▽ = 0             | MM/INCH                                              | 2:1                                                                                                                                           |                                                   |
| ▽ = 0             | GENERAL TOLERANCES (UNLESS SPECIFIED)                |                                                                                                                                               |                                                   |
| ▽ = 0             | 4 PLACES ±                                           | MM                                                                                                                                            | INCH                                              |
| ▽ = 0             | 3 PLACES ±                                           | SEE CHART                                                                                                                                     | SEE CHART                                         |
| ▽ = 0             | 2 PLACES ±                                           | SEE CHART                                                                                                                                     | SEE CHART                                         |
| ▽ = 0             | 1 PLACE ±                                            | SEE CHART                                                                                                                                     | SEE CHART                                         |
| ▽ = 0             | 0 PLACES ±                                           | SEE CHART                                                                                                                                     | SEE CHART                                         |
| ⊠ = 0             | ANGULAR TOL ±                                        |                                                                                                                                               | ---                                               |
| ■ = 0             | DRAFT WHERE APPLICABLE MUST REMAIN WITHIN DIMENSIONS |                                                                                                                                               |                                                   |
| ▽ = 0             | THIRD ANGLE PROJECTION                               | DRAWING                                                                                                                                       | SERIES                                            |
|                   | ⊕                                                    | B-SIZE                                                                                                                                        | 38720                                             |
| EC NO: 627921     |                                                      | DRWN: ABENJAMINLW                                                                                                                             | 2019/11/18                                        |
| DRWN: DACHAMMER   |                                                      | 2019/12/04                                                                                                                                    |                                                   |
| APPR: JFMURPHY    |                                                      | 2019/12/05                                                                                                                                    |                                                   |
| INITIAL REVISION: |                                                      |                                                                                                                                               |                                                   |
| DRWN: CLYORK      |                                                      | 2006/10/19                                                                                                                                    |                                                   |
| APPR: JMACNEIL    |                                                      | 2006/10/20                                                                                                                                    |                                                   |
| DOCUMENT NUMBER   |                                                      | DOC TYPE                                                                                                                                      | DOC PART                                          |
| SD-38720-001      |                                                      | PSD                                                                                                                                           | 001                                               |
| MATERIAL NUMBER   |                                                      | CUSTOMER                                                                                                                                      | SHEET NUMBER                                      |
| SEE SHEET-2       |                                                      | GENERAL MARKET                                                                                                                                | 1 OF 2                                            |

**molex**

9.53MM [.375"] SR BTS, PC ASSY

PRODUCT CUSTOMER DRAWING

DOCUMENT NUMBER: SD-38720-001

DOC TYPE: PSD

DOC PART: 001

REVISION: E

MATERIAL NUMBER: SEE SHEET-2

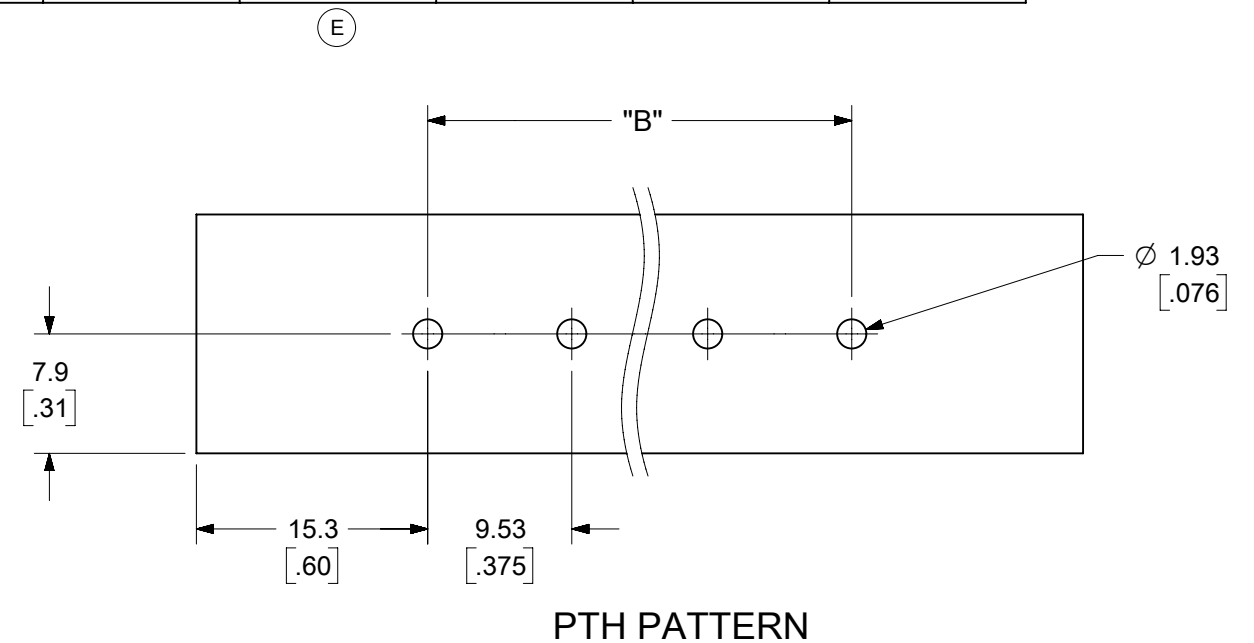
CUSTOMER: GENERAL MARKET

SHEET NUMBER: 1 OF 2

| NUMBER OF CIRCUITS "XX" | MATERIAL NO. (OPT 12A) | MATERIAL NO. (OPT 11A) | MATERIAL NO. (OPT 10A) | MATERIAL NO. (OPT -59) | MATERIAL NO. (OPT -58) | MATERIAL NO. (OPT -56) | MATERIAL NO. (OPT -50) | MATERIAL NO. (OPT -49,-50) | MATERIAL NO. (OPT -49) | MATERIAL NO. (OPT -49,-59) | MATERIAL NO. (OPT -47,-50) | MATERIAL NO. (STD) | NUMBER OF CIRCUITS "XX" |
|-------------------------|------------------------|------------------------|------------------------|------------------------|------------------------|------------------------|------------------------|----------------------------|------------------------|----------------------------|----------------------------|--------------------|-------------------------|
| 01                      |                        |                        |                        |                        |                        | 387290659              |                        |                            |                        |                            |                            | 387206201          | 01                      |
| 02                      |                        |                        | 387291039              |                        | 387290750              | 387290791              | 387207402              | 387291381                  | 387206802              |                            |                            | 387206202          | 02                      |
| 03                      | 387290872              | 387290025              | 387290014              |                        |                        | 387290117              | 387207403              |                            | 387206803              |                            | 387208603                  | 387206203          | 03                      |
| 04                      |                        |                        | 387290940              | 387290945              |                        | 387290839              | 387207404              | 387291159                  | 387206804              |                            |                            | 387206204          | 04                      |
| 05                      | 387290256              |                        | 387290346              |                        |                        | 387291253              | 387207405              | 387291382                  | 387206805              |                            |                            | 387206205          | 05                      |
| 06                      |                        |                        |                        | 387290400              | 387290386              | 387290980              | 387207406              | 387291383                  | 387206806              |                            |                            | 387206206          | 06                      |
| 07                      |                        |                        | 387290423              | 387290407              | 387290435              | 387290440              | 387207407              |                            | 387206807              |                            |                            | 387206207          | 07                      |
| 08                      | 387290497              |                        |                        |                        | 387290508              | 387290532              | 387207408              |                            | 387206808              | 387290485                  |                            | 387206208          | 08                      |
| 09                      |                        |                        | 387290548              |                        | 387290560              |                        | 387207409              |                            | 387206809              |                            |                            | 387206209          | 09                      |
| 10                      |                        |                        | 387291011              | 387290598              | 387290598              | 387291663              | 387207410              |                            | 387206810              |                            |                            | 387206210          | 10                      |
| 11                      |                        |                        |                        |                        |                        | 387291252              | 387207411              |                            |                        |                            |                            | 387206211          | 11                      |
| 12                      |                        |                        | 387290720              |                        |                        | 387290735              | 387207412              |                            | 387206812              | 387291667                  |                            | 387206212          | 12                      |
| 13                      |                        |                        |                        |                        | 387290809              |                        | 387207413              |                            |                        |                            |                            | 387206213          | 13                      |
| 14                      |                        |                        |                        |                        | 387290004              |                        | 387207414              |                            | 387206814              |                            |                            | 387206214          | 14                      |
| 15                      |                        |                        |                        |                        |                        |                        |                        |                            |                        |                            |                            | 387206215          | 15                      |
| 16                      |                        |                        |                        |                        |                        |                        |                        |                            |                        |                            |                            | 387206216          | 16                      |
| 17                      |                        |                        |                        |                        |                        |                        |                        |                            |                        |                            |                            | 387206217          | 17                      |
| 18                      |                        |                        |                        |                        |                        |                        |                        |                            |                        |                            |                            | 387206218          | 18                      |
| 19                      |                        |                        |                        |                        |                        |                        |                        |                            |                        |                            |                            | 387206219          | 19                      |
| 20                      |                        |                        |                        |                        |                        |                        |                        |                            |                        |                            |                            | 387206220          | 20                      |
| 21                      |                        |                        |                        |                        |                        |                        |                        |                            |                        |                            |                            | 387206221          | 21                      |
| 22                      |                        |                        |                        |                        |                        |                        |                        |                            |                        |                            |                            | 387206222          | 22                      |
| 23                      |                        |                        |                        |                        |                        |                        |                        |                            |                        |                            |                            | 387206223          | 23                      |
| 24                      |                        |                        |                        |                        |                        |                        |                        |                            |                        |                            |                            | 387206224          | 24                      |
| 25                      |                        |                        |                        |                        |                        |                        |                        |                            |                        |                            |                            | 387206225          | 25                      |
| 26                      |                        |                        |                        |                        |                        |                        |                        |                            |                        |                            |                            | 387206226          | 26                      |

| NUMBER OF CIRCUITS "XX" | DIM. "A" |         | DIM. "B" |         | DIM. "C" |         | DIM. "D" |        |
|-------------------------|----------|---------|----------|---------|----------|---------|----------|--------|
| 01                      | 30.7     | [1.21]  | --       | --      | 19.1     | [.75]   | 11.6     | [.46]  |
| 02                      | 40.1     | [1.58]  | 9.53     | [.375]  | 28.6     | [1.13]  | 21.1     | [.83]  |
| 03                      | 49.7     | [1.96]  | 19.05    | [.750]  | 38.1     | [1.50]  | 30.6     | [1.21] |
| 04                      | 59.2     | [2.33]  | 28.58    | [1.125] | 47.6     | [1.88]  | 40.1     | [1.58] |
| 05                      | 68.7     | [2.71]  | 38.10    | [1.500] | 57.2     | [2.25]  | 49.7     | [1.96] |
| 06                      | 78.2     | [3.08]  | 47.63    | [1.875] | 66.7     | [2.63]  | 59.2     | [2.33] |
| 07                      | 87.8     | [3.46]  | 57.15    | [2.250] | 76.2     | [3.00]  | 68.7     | [2.71] |
| 08                      | 97.3     | [3.83]  | 66.68    | [2.625] | 85.7     | [3.38]  | 78.2     | [3.08] |
| 09                      | 106.8    | [4.21]  | 76.20    | [3.000] | 95.3     | [3.75]  | 87.8     | [3.46] |
| 10                      | 116.3    | [4.58]  | 85.73    | [3.375] | 104.8    | [4.13]  | 97.3     | [3.83] |
| 11                      | 125.9    | [4.96]  | 95.25    | [3.750] | 114.3    | [4.50]  | 106.8    | [4.21] |
| 12                      | 135.4    | [5.33]  | 104.78   | [4.125] | 123.8    | [4.88]  | 116.3    | [4.58] |
| 13                      | 144.9    | [5.71]  | 114.30   | [4.500] | 133.4    | [5.25]  | 125.9    | [4.96] |
| 14                      | 154.4    | [6.08]  | 123.83   | [4.875] | 142.9    | [5.63]  | 135.4    | [5.33] |
| 15                      | 164.0    | [6.46]  | 133.35   | [5.250] | 152.4    | [6.00]  | 144.9    | [5.71] |
| 16                      | 173.5    | [6.83]  | 142.88   | [5.625] | 161.9    | [6.38]  | 154.4    | [6.08] |
| 17                      | 183.0    | [7.21]  | 152.40   | [6.000] | 171.5    | [6.75]  | 164.0    | [6.46] |
| 18                      | 192.5    | [7.58]  | 161.93   | [6.375] | 181.0    | [7.13]  | 173.5    | [6.83] |
| 19                      | 202.1    | [7.96]  | 171.45   | [6.750] | 190.5    | [7.50]  | 183.0    | [7.21] |
| 20                      | 211.6    | [8.33]  | 180.98   | [7.125] | 200.0    | [7.88]  | 192.5    | [7.58] |
| 21                      | 221.1    | [8.71]  | 190.50   | [7.500] | 209.6    | [8.25]  | 202.1    | [7.96] |
| 22                      | 230.6    | [9.08]  | 200.03   | [7.875] | 219.1    | [8.63]  | 211.6    | [8.33] |
| 23                      | 240.2    | [9.46]  | 209.55   | [8.250] | 228.6    | [9.00]  | 221.1    | [8.71] |
| 24                      | 249.7    | [9.83]  | 219.08   | [8.625] | 238.1    | [9.38]  | 230.6    | [9.08] |
| 25                      | 259.2    | [10.21] | 228.60   | [9.000] | 247.7    | [9.75]  | 240.2    | [9.46] |
| 26                      | 268.7    | [10.58] | 238.13   | [9.375] | 257.2    | [10.13] | 249.7    | [9.83] |

| TOLERANCES |       |           |       |
|------------|-------|-----------|-------|
| MM         | TOL   | INCH      | TOL   |
| 0-6        | ±0.25 | 0-.24     | ±.010 |
| >6-30      | ±0.40 | .24-1.18  | ±.016 |
| >30-120    | ±0.50 | 1.18-4.76 | ±.020 |
| >120       | ±0.80 | >4.76     | ±.031 |



|                                                                                                                                               |  |                                  |  |                                                                            |  |                                                   |  |              |  |        |  |                           |  |                      |  |                              |  |
|-----------------------------------------------------------------------------------------------------------------------------------------------|--|----------------------------------|--|----------------------------------------------------------------------------|--|---------------------------------------------------|--|--------------|--|--------|--|---------------------------|--|----------------------|--|------------------------------|--|
| THIS DRAWING CONTAINS INFORMATION THAT IS PROPRIETARY TO MOLEX ELECTRONIC TECHNOLOGIES, LLC AND SHOULD NOT BE USED WITHOUT WRITTEN PERMISSION |  |                                  |  |                                                                            |  |                                                   |  |              |  |        |  |                           |  |                      |  |                              |  |
| SYMBOLS                                                                                                                                       |  | DIMENSION UNITS                  |  | SCALE                                                                      |  | CURRENT REV DESC: ADDED PNS 387290485 & 387291667 |  |              |  |        |  |                           |  |                      |  |                              |  |
| MM/INCH                                                                                                                                       |  | 2:1                              |  | <b>molex</b><br>9.53MM [.375"] SR BTS, PC ASSY<br>PRODUCT CUSTOMER DRAWING |  |                                                   |  |              |  |        |  |                           |  |                      |  |                              |  |
| GENERAL TOLERANCES (UNLESS SPECIFIED)                                                                                                         |  |                                  |  |                                                                            |  |                                                   |  |              |  |        |  |                           |  |                      |  |                              |  |
| 4 PLACES ± --- ± ---                                                                                                                          |  | MM                               |  |                                                                            |  |                                                   |  |              |  |        |  | INCH                      |  | EC NO: 627921        |  | DRWN: ABENJAMINLW 2019/11/18 |  |
| 3 PLACES ± --- ± SEE CHART                                                                                                                    |  | 2 PLACES ± SEE CHART ± SEE CHART |  |                                                                            |  |                                                   |  |              |  |        |  | 1 PLACE ± SEE CHART ± --- |  | 0 PLACES ± --- ± --- |  | DRWN: DACHAMMER 2019/12/04   |  |
| ANGULAR TOL ± ---                                                                                                                             |  |                                  |  | DRAFT WHERE APPLICABLE MUST REMAIN WITHIN DIMENSIONS                       |  | THIRD ANGLE PROJECTION                            |  | DRAWING      |  | SERIES |  |                           |  |                      |  |                              |  |
| B-SIZE                                                                                                                                        |  | 38720                            |  | SEE CHART                                                                  |  | GENERAL MARKET                                    |  | SHEET NUMBER |  | 2 OF 2 |  |                           |  |                      |  |                              |  |