

PE200S

Atom® X Series Processor, DDR3L SO-DIMM, DP, HDMI,
Dual-LAN, Multiple COM, 12-24V DC

Features

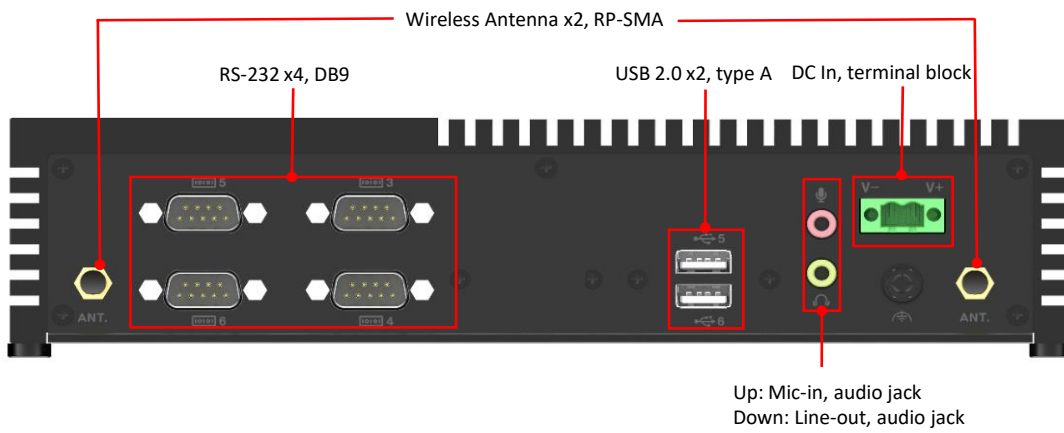
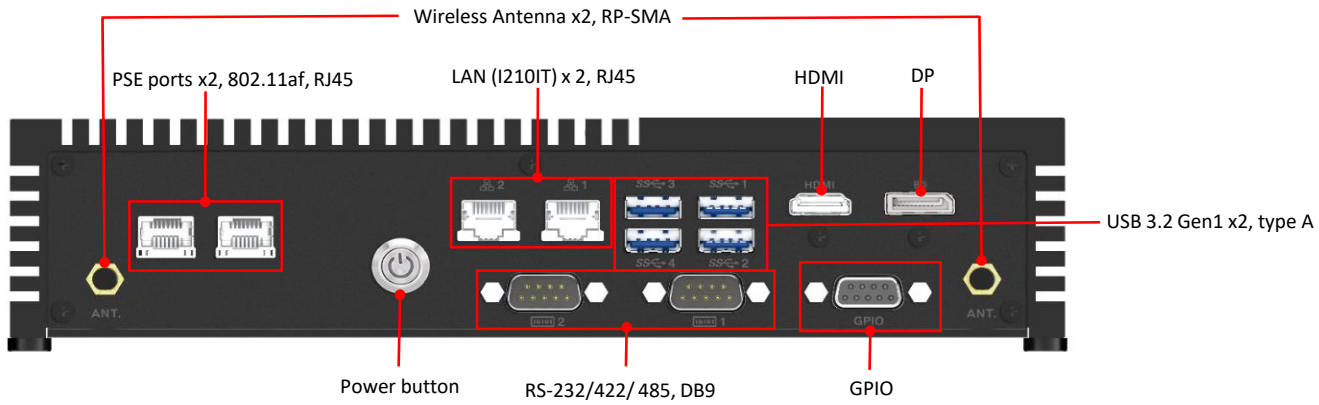
- Supports 2 x RS-232/422/485, 4 x RS-232
- Supports dual independent video outputs
- Supports Windows® 10 IoT Enterprise or Linux OS
- Wide Operating Temperature Range: -20~60°C



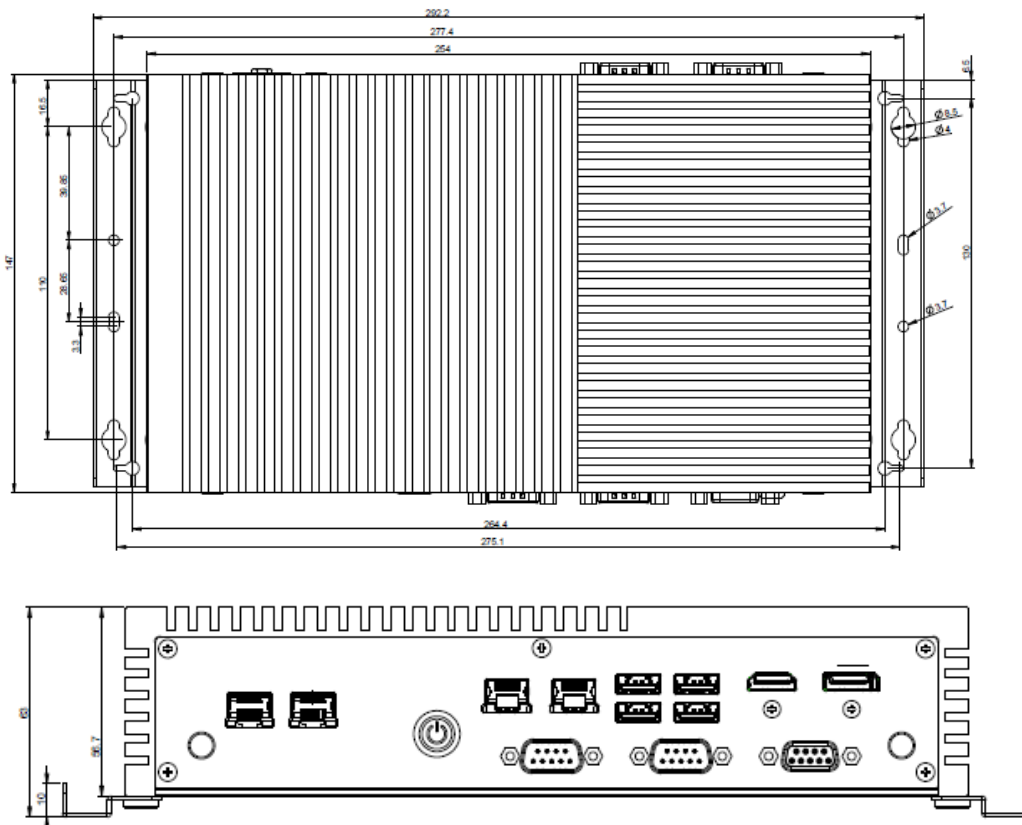
Specifications

| | CPU | Intel® Atom® X5-E3930 | Intel® Atom® X5-E3940 | Intel® Atom® X7-E3950 |
|-----------------------|----------------------------|--|---|-----------------------|
| System | TDP | 6.5W | 9.5W | 12W |
| | # of Cores | 2 | 4 | 4 |
| | Base Freq. | 1.3GHz | 1.6GHz | 1.6GHz |
| | Max Turbo Freq. | 1.8GHz | 1.8GHz | 2.0GHz |
| | Memory | 1 x SO-DIMM, DDR3L 1866 MHz, supports up to 8GB | | |
| | External Interfaces | Display | 1 x HDMI 1.4, supports up to 3840 x 2160 @ 30 Hz 1 x DP 1.2a, supports up to 4096 x 2160 @ 60 Hz | |
| Ethernet | | 2 x 10/100/1000 Mbps, RJ45 (2 x Intel i210IT (1Gb) 2 x 802.11af PSE ports, RJ45 (optional) 2 x 10/100/1000 ethernet ports, RJ45 (optional) *either one | | |
| USB | | 4 x USB 3.2 Gen 1, type A 2 x USB 2.0, type A (optional) | | |
| Audio | | 1 x Mic-in, phone jack 1 x Line-out, phone jack | | |
| COM | | 2 x COM: RS-232/422/485, DB9 4 x COM: RS232, DB9 (optional) | | |
| GPIO | | 1 x 8bit GPIO, DB9 | | |
| Storage | | SATA | 1 x SATA 6 connector supports 2.5" SSD | |
| | Micro SD | 1 x Micro SD Card slot (on-board) | | |
| Expansion Slot | Mini PCIe | 1 x Mini PCIe socket (USB / PCIe2 mode) | | |
| | M.2 M Key | 1 x M.2 2242 M-key socket, (SATA mode) | | |
| | M.2 E Key | 1 x M.2 2230 E-key socket (PCIe2 / USB 2.0 mode) (supports BT/Wi-Fi module) | | |
| | SIM | 1 x nano-SIM slot | | |
| Power | Power input | 12 to 24 V DC, 2-pin terminal block | | |
| Mechanical | Mounting | Wall-mount/ VESA mount | | |
| | Dimensions | 254 (H) x 147 (W) x 57 (D) mm | | |
| | Weight | 2.45 kg | | |
| Environment | Operating Temp. | -20~60°C with wide temperature parts, fanless | | |
| | Storage Temp. | -40~85°C | | |
| | Relative Humidity | 10 to 95% (non-condensing) | | |
| | EMC | CE (ITE), FCC , VCCI, BSMI | | |
| | Safety | UL,CB, CCC, BSMI, CE | | |
| | Vibration | Operating: 0.21Grms, 5~500 Hz, 20min duration | | |
| | Shock | Operating: 50 G, half sine 11ms duration | | |
| Green | GA (RoHS) | | | |
| Security | TPM | TPM v2.0 powered by Nuvoton NCPT 750 (Optional) | | |
| Others | Watch dog timer | Yes. HW WDT Enable (WDT_EN) | | |
| | Operating System | Windows® 10 IoT Enterprise (64 bit) / Linux | | |

Appearance



Dimension (mm)



Ordering Information

| 90 P/N | CPU | DRAM | 2.5" SATA | TPM built-in | LAN | PoE | Serial port | USB | mPCIe | M.2 2230 E-key | M.2 2242 M-key | Operating temp |
|-----------------|---|------------|-----------|--------------|-----|-----|-------------|-----|----------------|----------------|----------------|---------------------|
| PE200S_Entry | Intel® Atom® X5-E3930/ X5-E3940/ X7-E3950 | Up to 8 GB | 1 | optional | 2 | -- | 2 | 4 | 1 ¹ | 1 ² | 1 ³ | -20~60°C /0~40°C |
| PE200S_Semi | Intel® Atom® X5-E3930/ X5-E3940/ X7-E3950 | Up to 8 GB | 1 | optional | 2 | -- | 6 | 6 | 1 ¹ | 1 ² | 1 ³ | -20~60°C /0~40°C |
| PE200S_LAN FULL | Intel® Atom® X5-E3930/ X5-E3940/ X7-E3950 | Up to 8 GB | 1 | optional | 4 | -- | 6 | 6 | 1 ¹ | 1 ² | 1 ³ | -20~60°C /0~40°C |
| PE200S_FULL | Intel® Atom® X5-E3930/ X5-E3940/ X7-E3950 | Up to 8 GB | 1 | optional | 2 | 2 | 6 | 6 | 1 ¹ | 1 ² | 1 ³ | -20~60°C /0~40°C |

* The part number might vary for different regulations and package. Please consult the TPM in your region for exact 90PN.

* Please check with your importer or integrator for system level certification.

1. LTE
2. Wi-Fi
3. M.2 SSD

Packing list

| Description | Qty |
|---|-----|
| Power terminal block to power jack adaptor, 10cm | 1 |
| PE200U Wall mount bracket | 2 |
| SATA 22P to SATA 7P+4P 15+12CM | 1 |
| 2.5HDD screw pack | 1 |
| Dust cover set (1 HDMI; 1 DP; 6 DB9; 6 USB; 4 LAN; 2 audio jack; 4 SMA) | 1 |
| Quick installation guide | 1 |

Optional Accessories (purchased separately)

| Part Number | Description |
|---------------------------------|---|
| ADAPTER | |
| | Power adapter, 65W 12V, input voltage 100 to 264VAC, output voltage 12VDC with 5.41A DC load, 0 to 40°C operating temperature |
| | Power adapter, 120W 20V, input voltage 90 to 264VAC, output voltage 20VDC with 6A DC load, 0 to 40°C operating temperature |
| POWER CORD | |
| | Power cord with United States (US) plug |
| | Power cord with Europe (EU) plug |
| | Power cord with China (CN) plug |
| | Power cord with Japan (JP) plug |
| | Power cord with Australia (AU) plug |
| | Power cord with United Kingdom (UK) plug |
| | Power cord with Korea (KR) plug |
| | Power cord with Swiss (CH) plug |
| | Power cord with Taiwan (TW) plug |
| | Power cord with Thailand (TH) plug |
| WIRELESS EXTENSION CABLE | |
| | External wireless extension cable, RP-SMA to RP-SMA, 60cm |
| 4G LTE ANTENNA | |
| | Omni-directional rubber duck GPRS/EDGE/UMTS/HSPA/LTE antenna, 704 to 960MHz & 1710 to 2690MHz, 3.5 dBi, RP-SMA, antenna length 10cm |
| WI-FI ANTENNA | |
| | Omni-directional rubber duck Wi-Fi antenna, 2.4/5GHz, 2dBi, RP-SMA, antenna length 8.6cm |