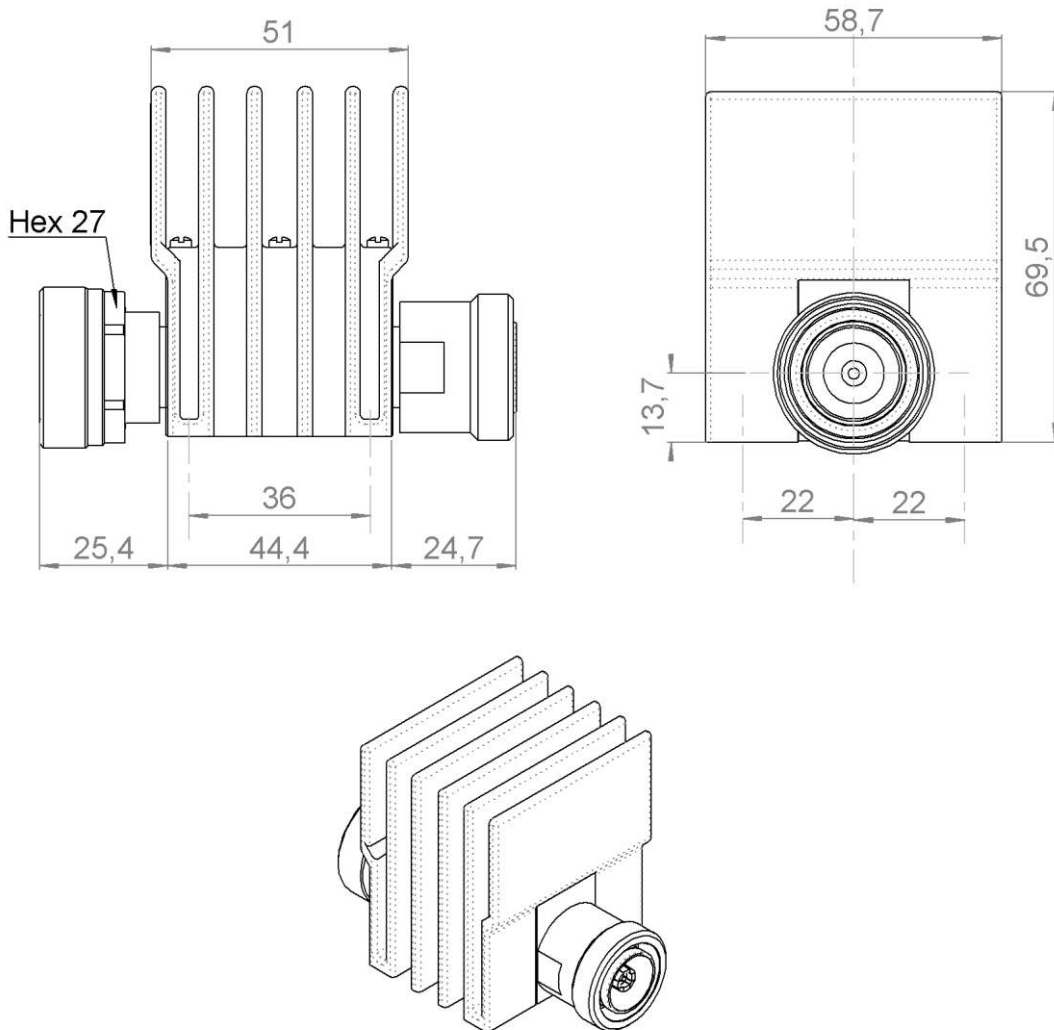
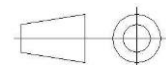


PAGE 1/2	ISSUE <b>03-09-18C</b>	SERIES <b>ATTENUATOR</b>	PART NUMBER <b>R420303110</b>
----------	------------------------	-----------------------------	-------------------------------



All dimensions are in mm. Tolerances according ISO 2768 m-H



COMPONENTS	MATERIALS	PLATING (µm)
Body	<b>BRASS</b>	<b>BBR 3</b>
Male center contact	<b>BRASS</b>	<b>GOLD 0.5 OVER NICKEL PHOSPHORUS 2</b>
Female center contact	<b>BERYLLIUM COPPER</b>	<b>GOLD 0.5 OVER NICKEL PHOSPHORUS 2</b>
Outer contact	<b>BRASS</b>	<b>BBR 0.5 OVER SILVER 5</b>
Insulator	<b>PTFE</b>	
Gasket	<b>SILICONE RUBBER</b>	
Substrate	<b>ALUMINA</b>	
Resistor	<b>THICK FILM</b>	
Others parts	<b>ALUMINIUM</b>	<b>BLACK ANODIZATION</b>

PAGE 2/2	ISSUE <b>03-09-18C</b>	SERIES <b>ATTENUATOR</b>	PART NUMBER <b>R420303110</b>
----------	------------------------	-----------------------------	-------------------------------

**ELECTRICAL CHARACTERISTICS**

Frequency (GHz)	<b>DC - 1</b>	<b>1 - 2</b>	<b>2 - 4</b>
V.S.W.R ( $\leq$ )	<b>1.10</b>	<b>1.20</b>	<b>1.35</b>
Deviation( $\pm$ dB)	<b>0.60</b>	<b>0.60</b>	<b>0.60</b>

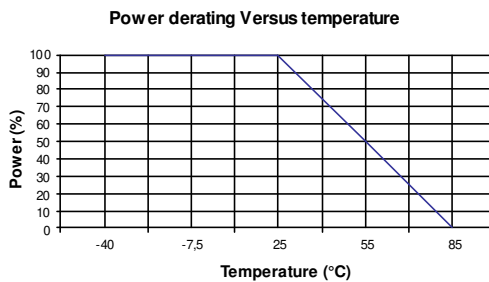
Operating Frequency Range	<b>DC - 4</b>	GHz
Impedance	<b>50</b>	$\Omega$
Nominal Attenuation	<b>3</b>	dB
Peak power at 25°C (1 $\mu$ s, 1%)	<b>5000</b>	W
Average power at 25°C	<b>25</b>	W (Free Air Cooled)
		W (Conduction Cooled)

**MECHANICAL CHARACTERISTICS**

Connectors	<b>7-16</b>	<b>Male Female</b>	<b>IEC 169-4</b>
Weight	<b>439,8300</b>	g	

**ENVIRONMENTAL CHARACTERISTICS**

Operating temperature range	<b>-40 / +85</b>	$^{\circ}$ C
Storage temperature range	<b>-40 / +85</b>	$^{\circ}$ C


**SPECIFICATION**
**OTHER CHARACTERISTICS**