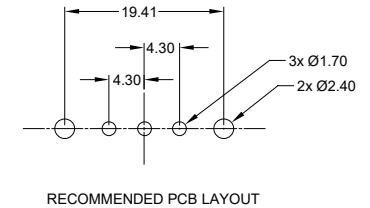
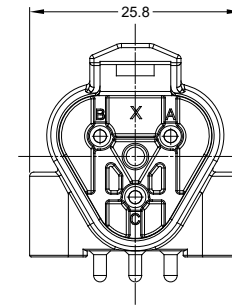
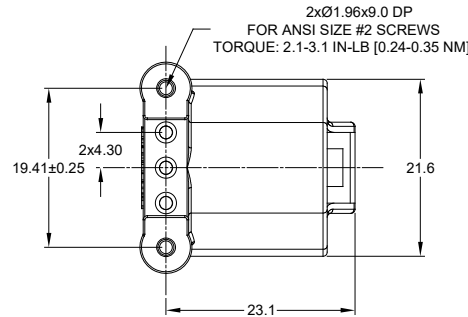


| REVISIONS |     |                      |           |       |       |
|-----------|-----|----------------------|-----------|-------|-------|
| REV       | ECO | DESCRIPTION          | DATE      | BY    | APPR  |
| A1        | -   | RELEASE              | 2JUL2018  | JAH   |       |
| A2        | -   | UPDATE DRAWING       | 18/MAR/19 | BROOK | TOMMY |
| A3        | -   | MODIFIED DESCRIPTION | 12JUL19   | BROOK | TOMMY |



NOTES: UNLESS OTHERWISE SPECIFIED

- MATERIAL:
  - HOUSING: THERMOPLASTIC; COLOR: BLACK
  - CONTACT: COPPER ALLOY
  - PLATING: NICKEL UNDERPLATE
  - SEE CHART FOR OVERALL FINISH
- MODIFICATIONS: RIGHT ANGLE PCB MOUNT, SCREW BOSS, KEYPED FOR SAE J1939.
- SPECIFICATIONS:
  - 3.1 CURRENT RATING: 13 AMPS
  - 3.2 OPERATING TEMPERATURE: -55°C TO +125°C
  - 3.3 DIELECTRIC WITHSTANDING VOLTAGE: LESS THAN 2 MILLIAMPS CURRENT LEAKAGE @ 1500 VOLTS AC.
  - 3.4 INSULATION RESISTANCE: 1000 MEGOHMS MIN @ 25°C.
  - 3.5 MOISTURE RESISTANCE: IP67 ( MATED CONDITION )
  - 3.6 MATING CYCLE DURABILITY: 100 CYCLES
  - 3.7 RoHS COMPLIANT
- MATING PART: AT06-3S\* PLUG  
(\* = MODIFICATIONS AND COLORS )
- ALL DIMENSIONS ARE FOR REFERENCE USE ONLY.



| ATF13-3P-BM1XJ1939 VARIANTS |                    |
|-----------------------------|--------------------|
| CONTACT PLATING             | PART NUMBER        |
| GOLD                        | ATF13-3P-BM11J1939 |
| TIN                         | ATF13-3P-BM13J1939 |

| SEE PART NUMBER CHART                 |                | REF: DTF13-3P-1939   |           |                    |
|---------------------------------------|----------------|--|-----------|--------------------|
| PART NUMBER                           |                | DESCRIPTION  |           |                    |
| QUANTITY                              | MATERIALS LIST |  |           | ITEM               |
| UNLESS OTHERWISE SPECIFIED:           |                | SIGNATURES   | DATE      |                    |
| 1) All dimensions are in metric (mm). |                | DRAWN: BROOKING  | 12/JUL/19 |                    |
| 2) Tolerances are as follows:         |                | CHECKED: ORONLI  | 12/JUL/19 |                    |
| 1 PL DEC ±0.30                        |                | ENGINEER:  |           |                    |
| 2 PL DEC ±0.15                        |                | APPROVAL: TOMMY XIE  | 12/JUL/19 |                    |
| 3 PL DEC ±0.08                        |                | CUSTOMER:  |           |                    |
| 3) Note reference =                   |                | THIS DRAWING IS SUPPLIED FOR INFORMATION ONLY. DESIGN FEATURES, SPECIFICATIONS AND PERFORMANCE DATA SHOWN HEREON ARE THE PROPERTY OF THE AMPHENOL CORPORATION. NO RIGHTS OF REPRODUCTION ARE IMPLIED. ALL DIMENSIONS ARE SUBJECT TO NORMAL MANUFACTURING VARIATIONS. |           |                    |
| MATERIAL SPECIFICATIONS:              |                | SINE SYSTEMS - www.amphenol-sine.com<br>44724 Morley Drive<br>Clinton Township, MI 48036   |           |                    |
| PROCESS SPECIFICATIONS:               |                | RIGHT ANGLE RECEPTACLE, AT 3 PIN, SCREW BOSS, BOARDLOCK, J1939   |           |                    |
| NEXT ASSY:                            |                | SIZE   | TYPE      | DWG NO.            |
|                                       |                | B  | C-        | ATF13-3P-BM1XJ1939 |
|                                       |                | SCALE  | NONE      | REVISION A3        |
|                                       |                | SHEET 1 OF 1   |           |                    |

TITLE: RIGHT ANGLE RECEPT. AT 3 PIN, SCREW BOSS, BOARDLOCK, J1939 DWG NO: ATF13-3P-BM1XJ1939 REV: A3 SH: 1 OF: 1