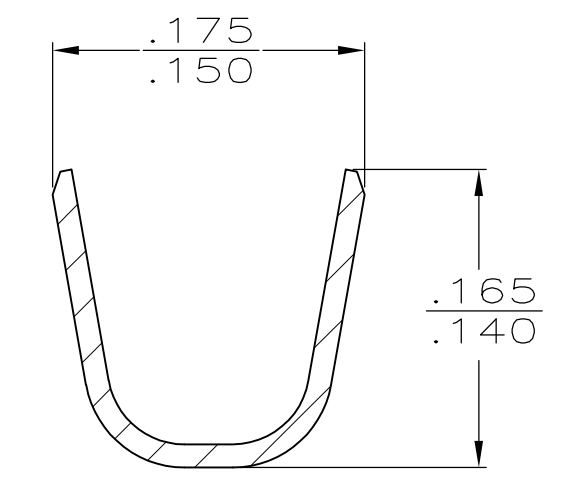
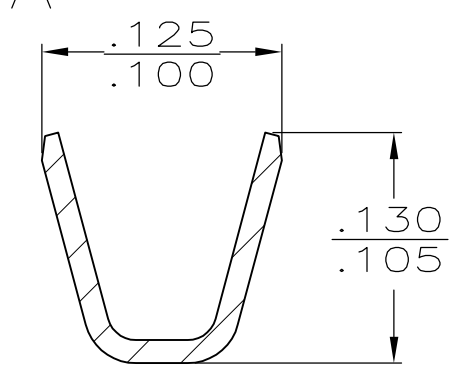
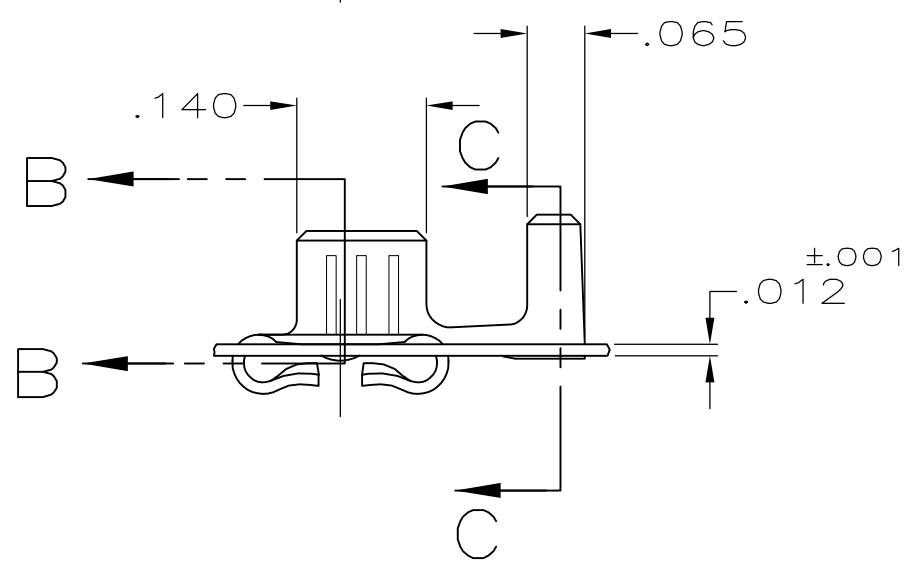
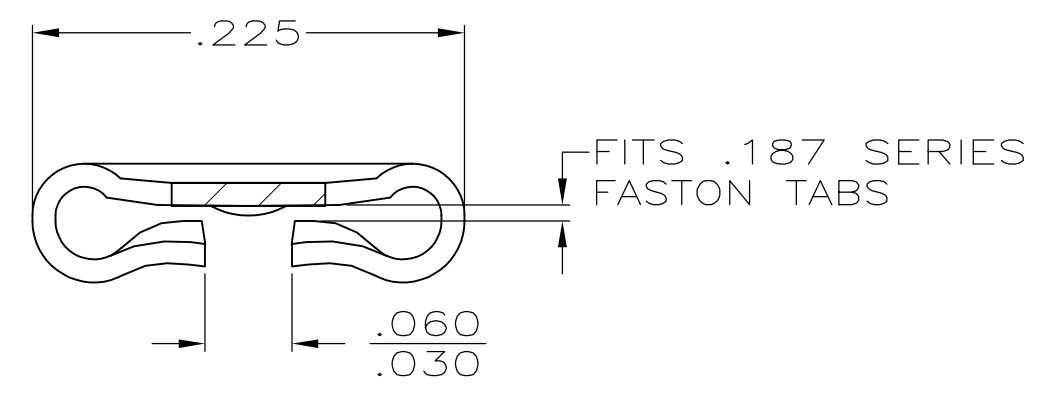
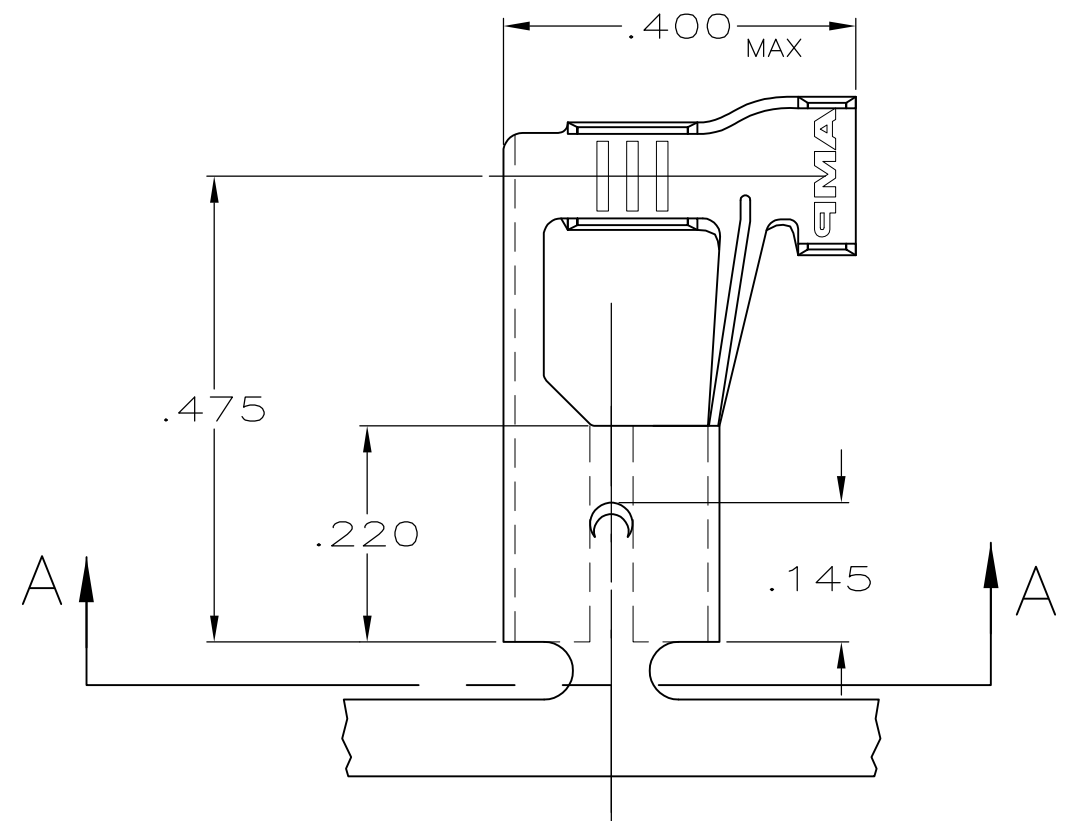


THIS DRAWING IS UNPUBLISHED. RELEASED FOR PUBLICATION  
 © COPYRIGHT - By - ALL RIGHTS RESERVED.

LOC	DIST	REVISIONS					
AF	50	P	LTR	DESCRIPTION	DATE	DWN	APVD
			J	REVISED PER ECR-12-013459	28NOV2012	KH	PD



1 CONTINUOUS STRIP ON REELS.

.090-.130 DIA	20-16 AWG	TIN	.020	60755-2
INSULATION RANGE	WIRE SIZE	FINISH	MATING TAB THK #.001	60755-1
		PART NUMBER		

THIS DRAWING IS A CONTROLLED DOCUMENT.		DWN JR RUTH 11/5/91	<b>TE Connectivity</b> RECEPTACLE, FASTON, FLAG, .187 SERIES					
DIMENSIONS: INCHES		CHK MS FEHER 11/5/91						
TOLERANCES UNLESS OTHERWISE SPECIFIED:		APVD C MEYERS 11/5/91						
0 PLC ± - 1 PLC ± - 2 PLC ± - 3 PLC ± .015 4 PLC ± - ANGLES ± -		NAME						
MATERIAL BRASS		FINISH SEE TABLE	PRODUCT SPEC	SIZE	CAGE CODE	DRAWING NO	RESTRICTED TO	
			APPLICATION SPEC	A3	00779	C-60755		
			WEIGHT -	CUSTOMER DRAWING		SCALE 5:1	SHEET 1 OF 1	REV J