



# 92x92x38mm

- Airflow: 56.6~192.9 CFM
- Static Pressure: 13.2~103.7 mm-H<sub>2</sub>O
- Blade / Housing: Plastic Material UL 94V-0 P.B.T.
- Lead Wire: UL1061 #22 AWG
- Weight: 233.0 g

Model No.	Bearing	Rated Voltage	Operating Voltage Range	Speed	Max. Airflow	Max. Static Pressure	Current	Power Consumption	Life at 40°C L10	P-Q Curve	Noise Level
		VDC	VDC	RPM	CFM	mm-H <sub>2</sub> O	mA	W	Hour		dB(A)
EYW09238012BL	2B	12	7~13.2	4000	56.6	13.2	240	2.88	80000	5	39.5
EYW09238012BM	2B		7~13.2	6000	84.6	29.1	570	6.84	80000	4	51.5
EYW09238012BH	2B		7~13.2	8000	113.6	48.9	1100	13.20	75000	3	57.5
EYW09238012BS	2B		7~13.2	10500	150.9	66.9	2400	28.80	65000	2	65.0
EYW09238012BU	2B		7~13.2	12500	184.5	79.0	4400	52.80	65000	1	67.5
EYW09238024BL	2B	24	12~28.0	4000	56.6	13.2	160	3.84	80000	5	39.5
EYW09238024BM	2B		12~28.0	6000	84.6	29.1	300	7.20	80000	4	51.5
EYW09238024BH	2B		12~28.0	8000	113.6	48.9	530	12.72	75000	3	57.5
EYW09238024BS	2B		12~28.0	10500	150.9	66.9	1050	25.20	65000	2	65.0
EYW09238024BU	2B		12~28.0	13500	192.9	103.7	2200	52.80	65000	1	68.5
EYW09238048BL	2B	48	36~56.0	4000	56.6	13.2	80	3.84	80000	5	39.5
EYW09238048BM	2B		36~56.0	6000	84.6	29.1	150	7.20	80000	4	51.5
EYW09238048BH	2B		36~56.0	8000	113.6	48.9	270	12.96	75000	3	57.5
EYW09238048BS	2B		36~56.0	10500	150.9	66.9	540	25.92	65000	2	65.0
EYW09238048BU	2B		36~56.0	13500	192.9	103.7	1100	52.80	65000	1	68.5

2B: 2-ball bearing L: sintetico bearing S: sleeve bearing

**Voltage Available**

05 12 24 48

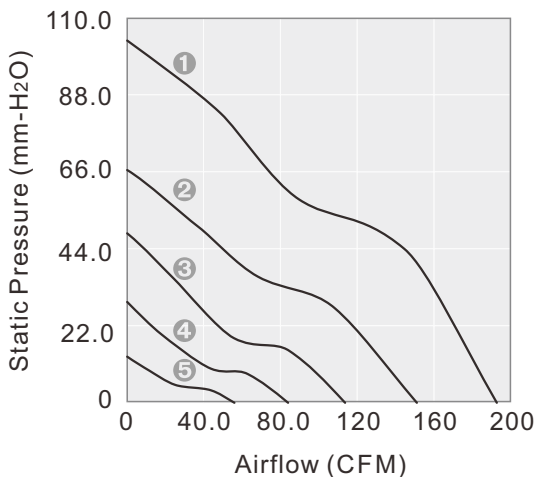
**Bearing System Available**

2B L S

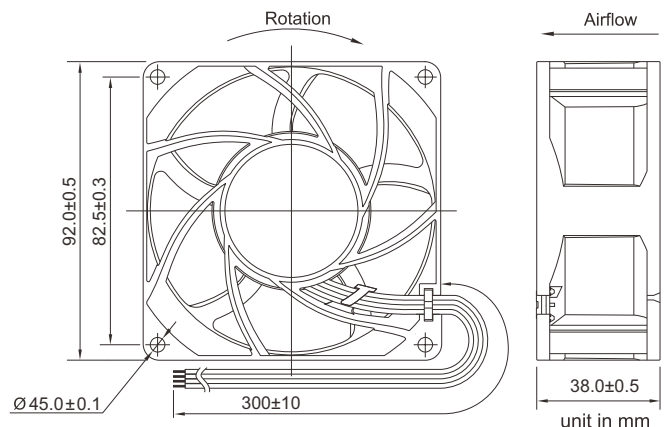
**Function Available**

N A I F R Q S T M V C P D W U

**PERFORMANCE P-Q CURVE**



**OUTLINE DIMENSIONS**



Please refer to *Model Numbering System* for bearing, function and speed level indication. Specifications are subject to changes without notice. Please refer to the formally issued product specification via contacting Y.S. TECH sales department. Visit Y.S. TECH web site at <http://www.ystechusa.com> for updated information. Customized Specifications are designed accordingly