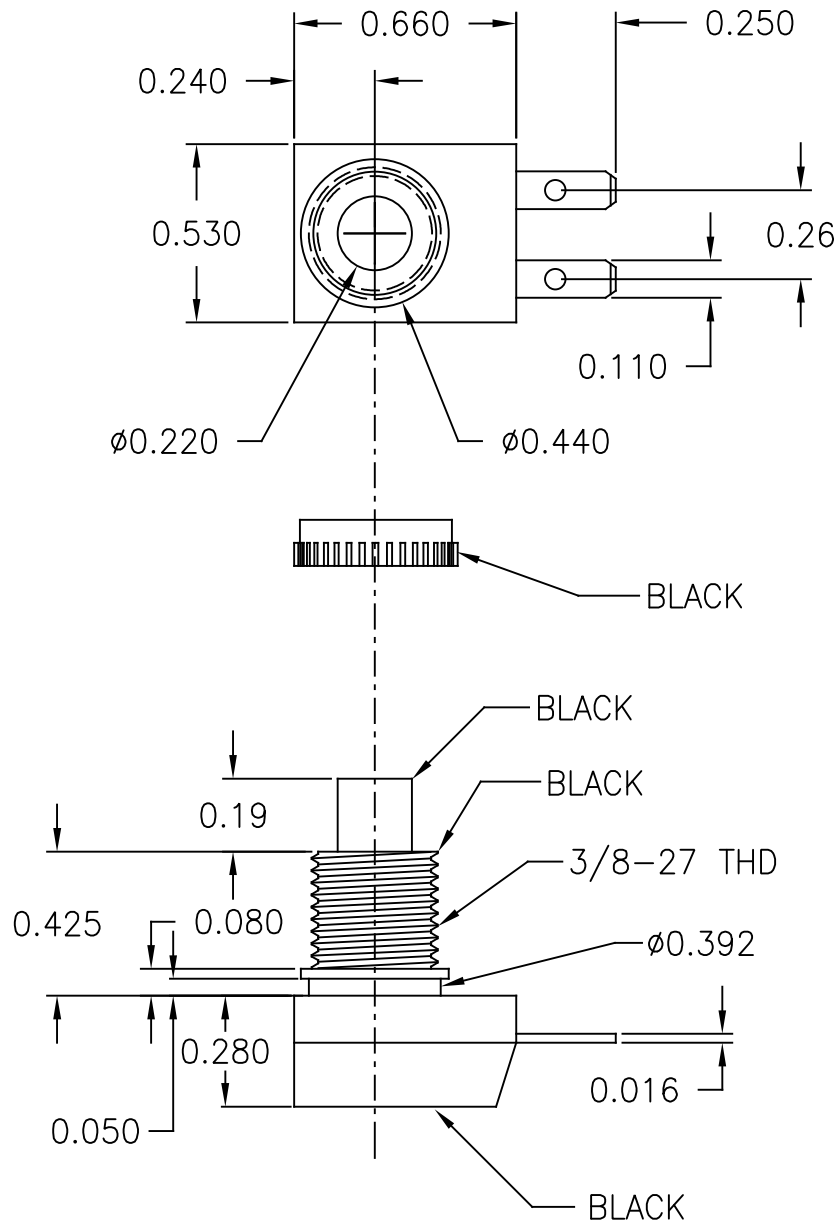


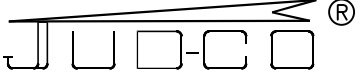
LTR	EN	DESCRIPTION	APPR	BY	DATE
A	-	INITIAL RELEASE	RB	EM	02-09-04
A1	-	CORRECTED SWITCH TYPE DESCRIPTION FROM SPDT TO SPST. ADDED ELECTRICAL RATING AND SPECIFY NON UL ON THE TITLE BLOCK	MT	DC	10-24-16



JUDCO INVENTORY NO. 40-2502-01  
 SWITCH TYPE: PUSH ON-PUSH OFF, SPST  
 ELECTRICAL RATING: 14VDC, 2A  
 NUT INCLUDED

CUSTOMER:  
 CUST. PN:  
 APPROVED BY: \_\_\_\_\_  
 DATE: \_\_\_\_\_

This document embodies a product, component, and/or design proprietary to JUDCO MANUFACTURING INC., and which is protected either as a trade secret, by U.S. Patent, or by copyright. It may not be used in any way without written express consent of JUDCO MANUFACTURING INC.

DIMENSIONS IN INCHES DIMENSIONS ARE REFERENCE		 HARBOR CITY CALIFORNIA	
		TITLE <b>OUTLINE</b> <b>J-188A-1 NON UL</b>	
DRAWN:	EM 02-09-04	DWG. NO.	<b>1415-566</b>
APPR:	KJ 10-24-16		
ENG'G:	IS 10-24-16		
1415U566A1.DWG		SHEET	1 OF 1