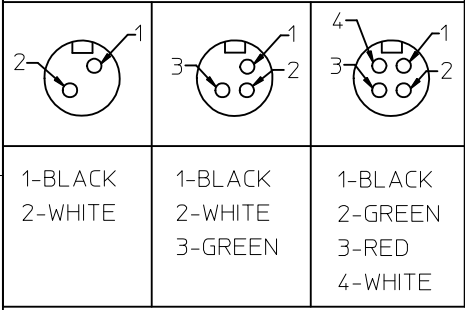
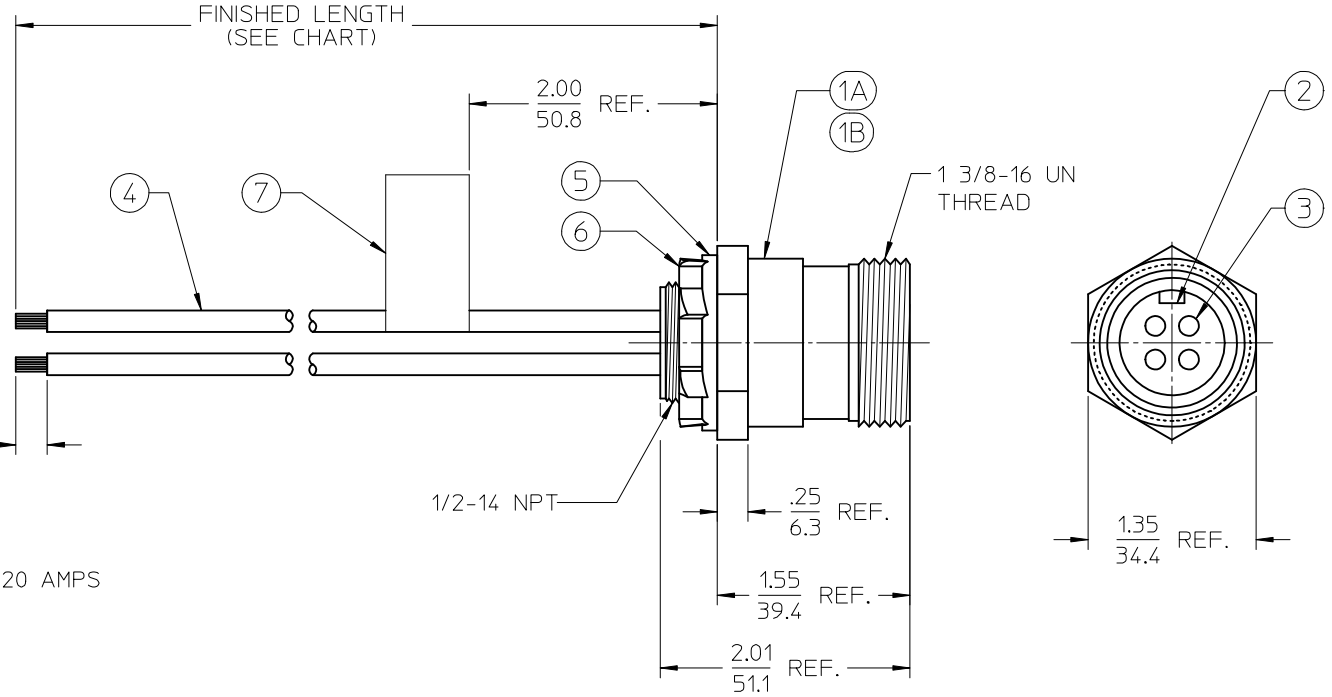


MALE FACE VIEW



- | | | |
|--------------------|-------------------------------|--|
| 1-BLACK
2-WHITE | 1-BLACK
2-WHITE
3-GREEN | 1-BLACK
2-GREEN
3-RED
4-WHITE |
|--------------------|-------------------------------|--|

POLES	MATERIAL NO.	ENGINEERING NO.	FINISHED LENGTH
2	1300030011	32032	12.00 +.75-0 (305mm +19mm-0)
3	1300030026	32357	12.00 +.75-0 (305mm +19mm-0)
4	1300030051	32680	12.00 +.75-0 (305mm +19mm-0)



- NOTES:
1. MATERIAL: SEE TABLE
 2. FINISHES: SEE TABLE
 3. ELECTRICAL SPECIFICATIONS
VOLTAGE RATING: 600V AC/DC
CURRENT RATING: 2P-25 AMPS, 3P-25 AMPS, 4P-20 AMPS
 4. XX REFERS TO POLE COUNT
 5. PROTECTION: IP67
 6. ASSEMBLY IS RoHS COMPLIANT BY EXEMPTION

7	1	FLAG LABEL	VINYL	BLACK/YELLOW
6		LOCKNUT	STEEL	ZINC PLATED
5	1	GASKET	NEOPRENE	BLACK
4	XX	WIRE, 12 AWG, UL 1015	PVC INSULATION	SEE FACE VIEW
3	XX	CONTACT PIN	Cu ALLOY	UN-PLATED
2	1	INSERT	RUBBER	YELLOW
1B	1	RECEPTACLE SHELL	OPT: ALUMINUM	CLEAR ANODIZE
1A	1	RECEPTACLE SHELL	NYLON	BLACK
ITEM	QTY.	DESCRIPTION	MATERIAL	FINISH

NEW SALES DOC
 EC NO: IPG2013-0795
 DRAWN BY: DRWHRSTONE 2012/11/28
 CHKD: K JOZWIK 2013/01/16
 APPR: JF MURPHY 2013/03/01

QUALITY SYMBOLS
 ▽=0
 ▽=0

DESCRIPTION
 A

GENERAL TOLERANCES (UNLESS SPECIFIED)		DIMENSION STYLE	
mm	INCH	IN/MM	
4 PLACES	± .005	DRAWN BY	DATE
3 PLACES	± .005	RSTONE	2012/11/28
2 PLACES	± .01	CHECKED BY	DATE
1 PLACE	± 0.3	K JOZWIK	2013/01/16
0 PLACE	± .005	APPROVED BY	DATE
		JF MURPHY	2013/03/01
ANGULAR ± 2 °		MATERIAL NO.	DOCUMENT NO.
DRAFT WHERE APPLICABLE MUST REMAIN WITHIN DIMENSIONS		SEE CHART	SD-130003-004

SCALE: 1:1
 DESIGN UNITS: INCH
 THIRD ANGLE PROJECTION

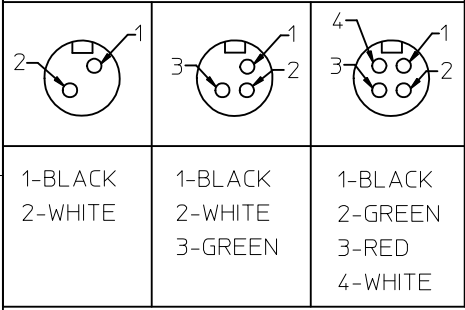
QUICK CHANGE RECEPTACLE MALE 2-3 POLE, 12 AWG

molex

THIS DRAWING CONTAINS INFORMATION THAT IS PROPRIETARY TO MOLEX INCORPORATED AND SHOULD NOT BE USED WITHOUT WRITTEN PERMISSION

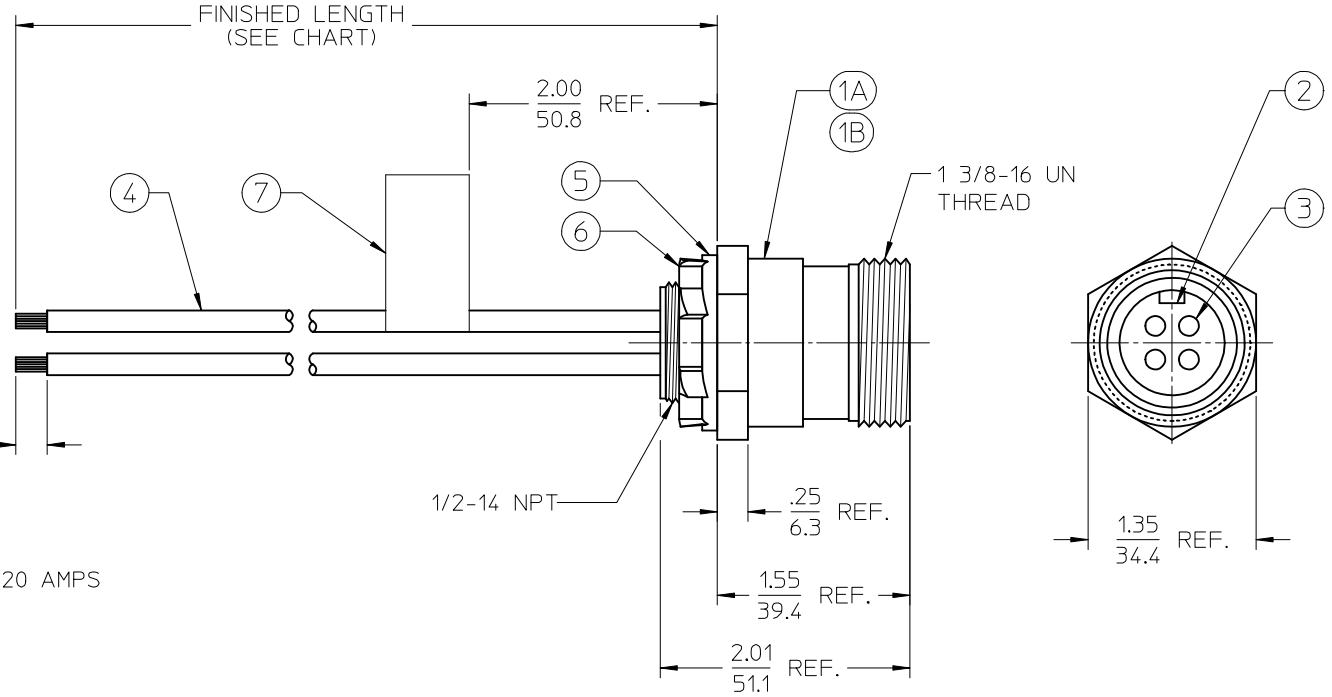
SHEET NO. 1 OF 1

MALE FACE VIEW



- | | | |
|--------------------|-------------------------------|--|
| 1-BLACK
2-WHITE | 1-BLACK
2-WHITE
3-GREEN | 1-BLACK
2-GREEN
3-RED
4-WHITE |
|--------------------|-------------------------------|--|

POLES	MATERIAL NO.	ENGINEERING NO.	FINISHED LENGTH
2	1300030011	32032	12.00 +.75-0 (305mm +19mm-0)
3	1300030026	32357	12.00 +.75-0 (305mm +19mm-0)
4	1300030051	32680	12.00 +.75-0 (305mm +19mm-0)



- NOTES:
1. MATERIAL: SEE TABLE
 2. FINISHES: SEE TABLE
 3. ELECTRICAL SPECIFICATIONS
VOLTAGE RATING: 600V AC/DC
CURRENT RATING: 2P-25 AMPS, 3P-25 AMPS, 4P-20 AMPS
 4. XX REFERS TO POLE COUNT
 5. PROTECTION: IP67
 6. ASSEMBLY IS RoHS COMPLIANT BY EXEMPTION

7	1	FLAG LABEL	VINYL	BLACK/YELLOW
6		LOCKNUT	STEEL	ZINC PLATED
5	1	GASKET	NEOPRENE	BLACK
4	XX	WIRE, 12 AWG, UL 1015	PVC INSULATION	SEE FACE VIEW
3	XX	CONTACT PIN	Cu ALLOY	UN-PLATED
2	1	INSERT	RUBBER	YELLOW
1B	1	RECEPTACLE SHELL	OPT: ALUMINUM	CLEAR ANODIZE
1A	1	RECEPTACLE SHELL	NYLON	BLACK
ITEM	QTY.	DESCRIPTION	MATERIAL	FINISH

NEW SALES DOC
 EC NO: IPG2013-0795
 DRAWN BY: DRWHRSTONE 2012/11/28
 CHECKED: JOZWIK 2013/01/16
 APPR: JFURPHY 2013/03/01

QUALITY SYMBOLS	GENERAL TOLERANCES (UNLESS SPECIFIED)
▽=0	mm INCH
▽=0	4 PLACES ± --- ± ---
	3 PLACES ± --- ± ---
	2 PLACES ± --- ± .01
	1 PLACE ± 0.3 ± ---
	0 PLACE ± --- ± ---
	ANGULAR ± 2 °
	DRAFT WHERE APPLICABLE MUST REMAIN WITHIN DIMENSIONS

DIMENSION STYLE	
IN/MM	
DRAWN BY	DATE
RSTONE	2012/11/28
CHECKED BY	DATE
K JOZWIK	2013/01/16
APPROVED BY	DATE
JFMURPHY	2013/03/01
MATERIAL NO.	
SEE CHART	

SCALE 1:1 DESIGN UNITS INCH THIRD ANGLE PROJECTION

TITLE QUICK CHANGE RECEPTACLE MALE 2-3 POLE, 12 AWG

molex

DOCUMENT NO. SD-130003-004 SHEET NO. 1 OF 1

THIS DRAWING CONTAINS INFORMATION THAT IS PROPRIETARY TO MOLEX INCORPORATED AND SHOULD NOT BE USED WITHOUT WRITTEN PERMISSION