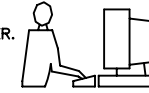
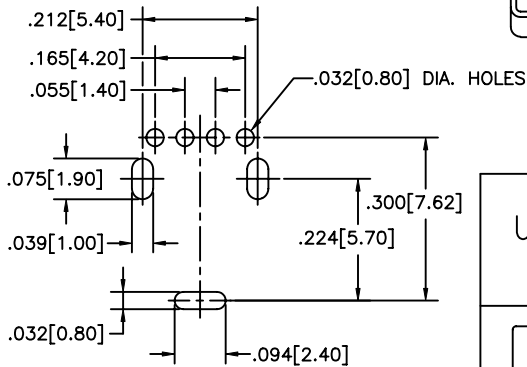
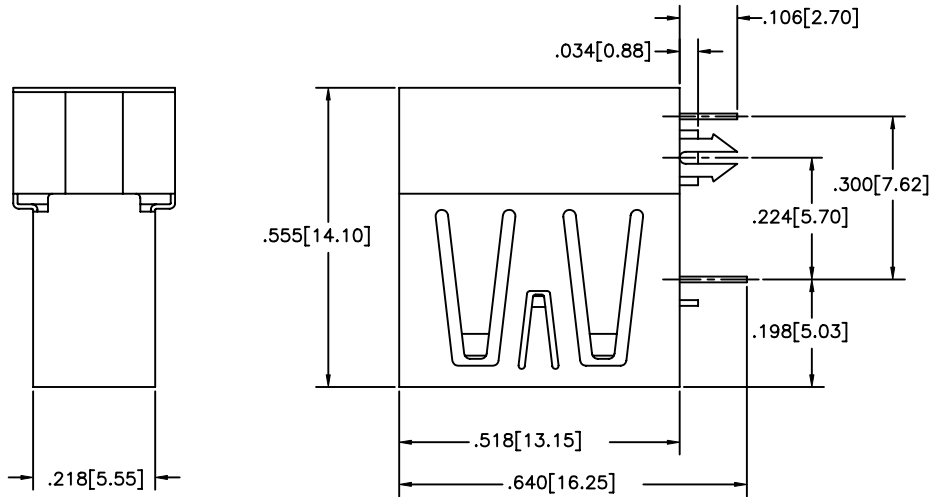
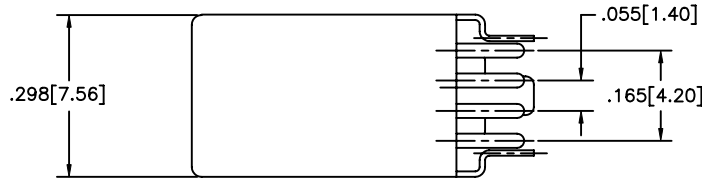


THIS IS A C.A.D. GENERATED DRAWING
DO NOT MAKE MANUAL REVISIONS TO MASTER.



ISSUE NUMBER

ORIGINAL ①



ELECTRICAL:

CONTACT CURRENT: 1 AMP
DIELECTRIC WITHSTANDING VOLTAGE: 750 VAC R.M.S.
INSULATION RESISTANCE: 1000 MEGOHMS MIN.
CONTACT RESISTANCE: 30 MILLIOHMS MAX.

MATERIALS:

SHELL: COPPER ALLOY, TIN-LEAD PLATED
CONTACTS: COPPER ALLOY GOLD PLATE ON CONTACT AREA
TIN-LEAD ON TAIL END
GOLD FLASH 261 CONTACT CODE
15 MICROINCHES OF GOLD 361 CONTACT CODE
30 MICROINCHES OF GOLD 661 CONTACT CODE
INSULATOR: THERMOPLASTIC (HIGH TEMPERATURE RESISTANCE)

PART NUMBER: 690-004-261-013

CONTACT CODE _____

USB CONNECTOR "A" TYPE, RECEPTACLE RIGHT ANGLE
VERTICAL

EDAC EDAC INC
TORONTO, ONTARIO
CANADA
YOUR CONNECTION TO QUALITY & SERVICE

THESE DRAWINGS AND SPECIFICATIONS
ARE THE PROPERTY OF EDAC INC., AND
SHALL NOT BE REPRODUCED, OR COPIED
OR USED AS THE BASIS FOR THE
MANUFACTURE OR SALE OF APPARATUS
WITHOUT WRITTEN PERMISSION.

ACAD REFERENCE NO. 690-004-261-013

DRAWN: F.BRIONES DATE: JAN.22/04

CHECKED: DATE:

SCALE: (IN C.A.D. 1:1) SHEET 1 OF 1

DRAWING NUMBER 690-004-261-013 ISSUE 1