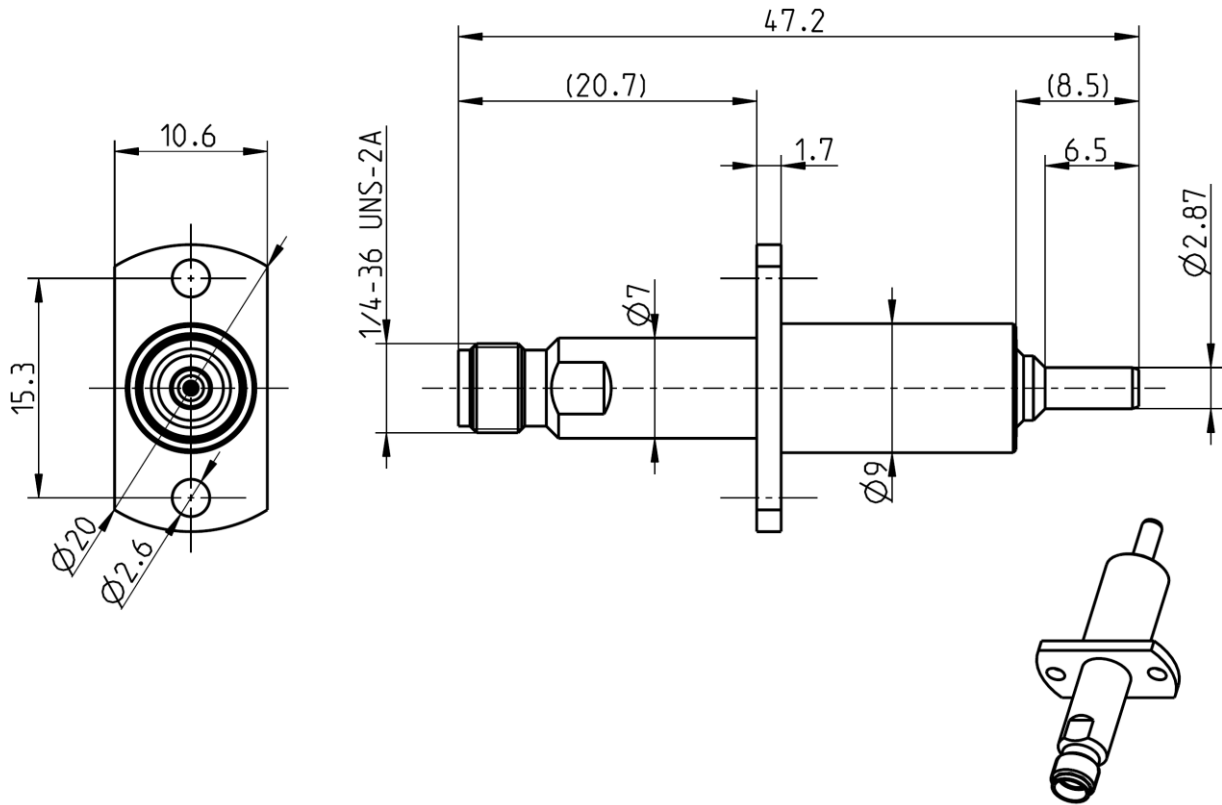


Longwipe-SMP

Adaptor Floating Longwipe-SMP Jack – SMA Jack

**17K732-K0AS5**



All dimensions are in mm; tolerances according to ISO 2768 m-H

**Interface**

Longwipe- SMP  
SMA according to

Spring loaded center – and outer contact  
IEC 60169-15; EN 122110; MIL-STD-348

**Documents**

Ericsson Product specification  
Ericsson Quality specification

1301-RPT 501 38 Uen  
105 63-2031 Uen

**Material and plating**

**Connector parts**

- Center contacts
- Outer contact SMP side
- Outer contact SMA side
- Body
- Spring
- Dielectric

**Material**

- CuBe
- Stainless steel
- Brass
- Brass
- Stainless steel
- PTFE

**Plating**

- AuroDur®, gold plated
- Passivated
- Flash white bronze over silver(e.g. Optargen®)
- Flash white bronze over silver(e.g. Optargen®)
- Passivated

Longwipe-SMP

Adaptor Floating Longwipe-SMP Jack – SMA Jack

**17K732-K0AS5**

**Electrical data**

Impedance	50 Ω
Frequency	DC to 6 GHz
Return loss	≥ 23 dB, DC to 3 GHz ≥ 20 dB, 3 to 6 GHz
Insertion loss	≤ 0.05 x √f(GHz) dB, DC to 6 GHz
Insulation resistance	≥ 5 GΩ
Center contact resistance	≤ 8 mΩ, Longwipe- SMP side; ≤ 3 mΩ, SMA side
Outer contact resistance	≤ 4 mΩ, Longwipe- SMP side; ≤ 2 mΩ, SMA side
Test voltage	500 V rms
Working voltage	335 V rms

**Mechanical data**

	Longwipe- SMP side	SMA side
Mating cycles	≥ 1000	≥ 500
Center contact captivation: axial	≥ 15 N	
Center contact	≤ 2 N at 1.4mm spring travel	
Outer contact	≤ 8 N at 2mm spring travel	
Radial misalignment	≤ 0.35mm	

**Environmental data**

Temperature range	-40°C to +85°C
Thermal shock	MIL-STD-202, Method 107, Condition B
Vibration	MIL-STD-202, Method 204, Condition B
Shock	MIL-STD-202, Method 213, Condition A
Moisture resistance	MIL-STD-202, Method 106
RoHS	compliant

**Tooling**

N/A

**Suitable cables**

N/A

**Weight**

Weight 13.8 g/pce

While the information has been carefully compiled to the best of our knowledge, nothing is intended as representation or warranty on our part and no statement herein shall be construed as recommendation to infringe existing patents. In the effort to improve our products, we reserve the right to make changes judged to be necessary.

For the installation of the electrotechnical equipment, particular electrotechnical expertise is required.



Dieses Dokument ist urheberrechtlich geschützt • This document is protected by copyright • Rosenberger Hochfrequenztechnik GmbH & Co. KG

RF\_35/09.14/6.2

Draft	Date	Approved	Date	Rev.	Engineering change number	Name	Date
Weidensp. R.	07.07.10	Chr. Janßen	21.10.20	e00	20-1927	S. Huber-Siegl	21.10.20

Rosenberger Hochfrequenztechnik GmbH & Co. KG P.O.Box 1260 D-84526 Tittmoning Germany <a href="http://www.rosenberger.de">www.rosenberger.de</a>				Tel. : +49 8684 18-0 Email : <a href="mailto:info@rosenberger.de">info@rosenberger.de</a>		Page 2 / 2	
--	--	--	--	--	--	---------------	--