

THIS DRAWING IS UNPUBLISHED. RELEASED FOR PUBLICATION
 © COPYRIGHT 19 BY AMP INCORPORATED. ALL RIGHTS RESERVED.

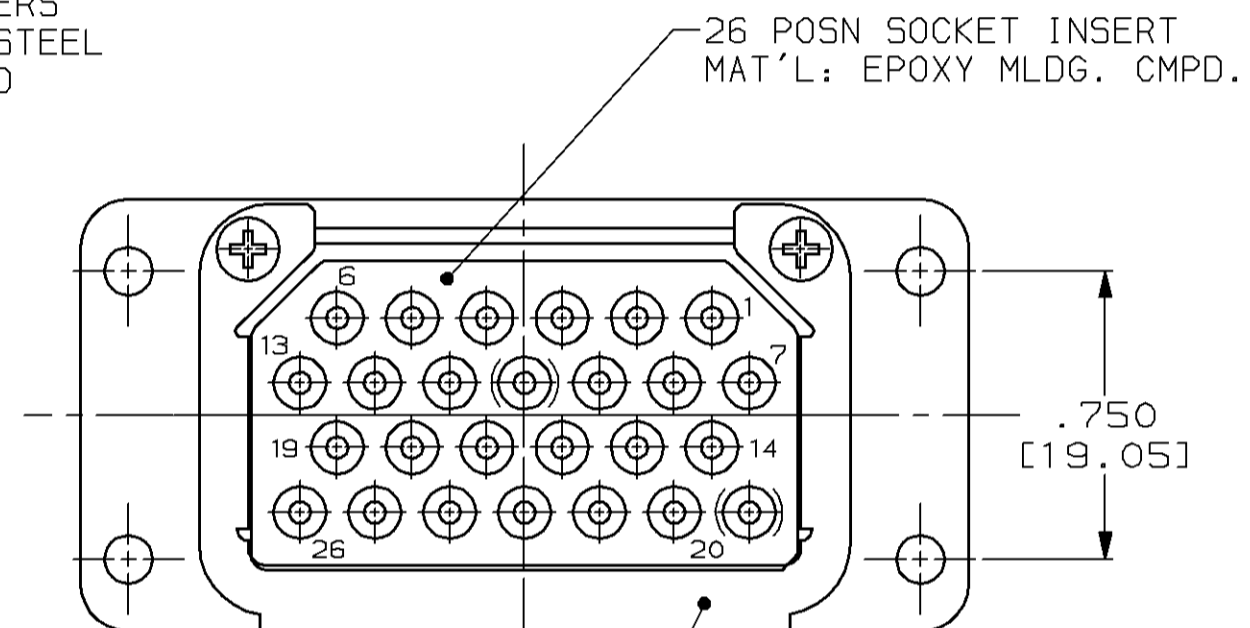
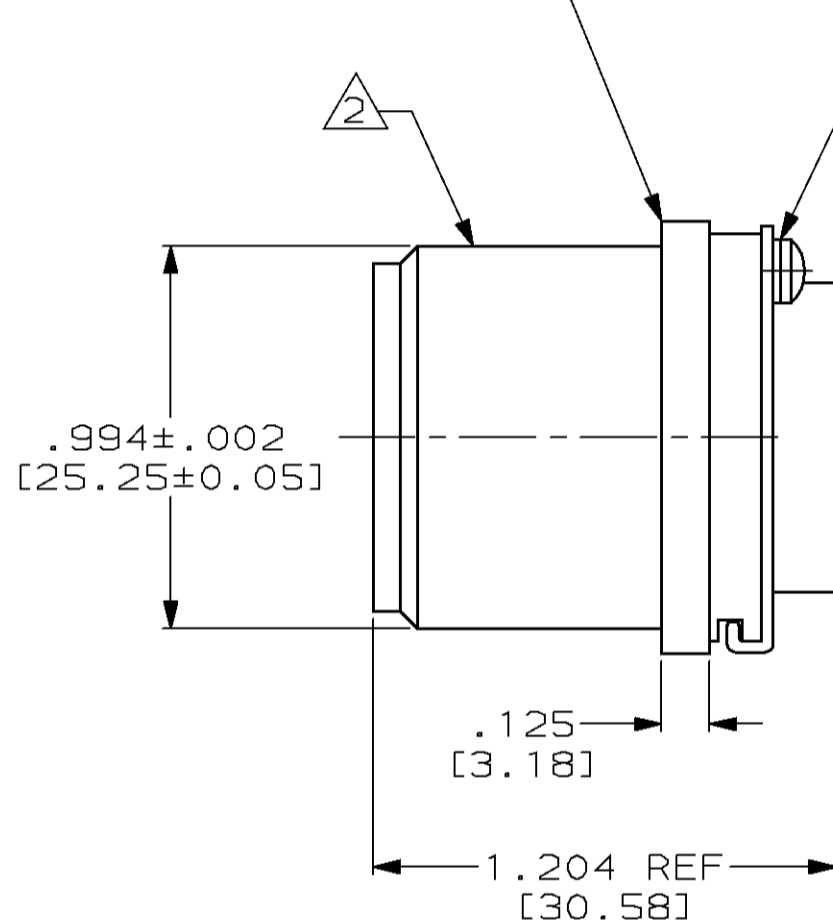
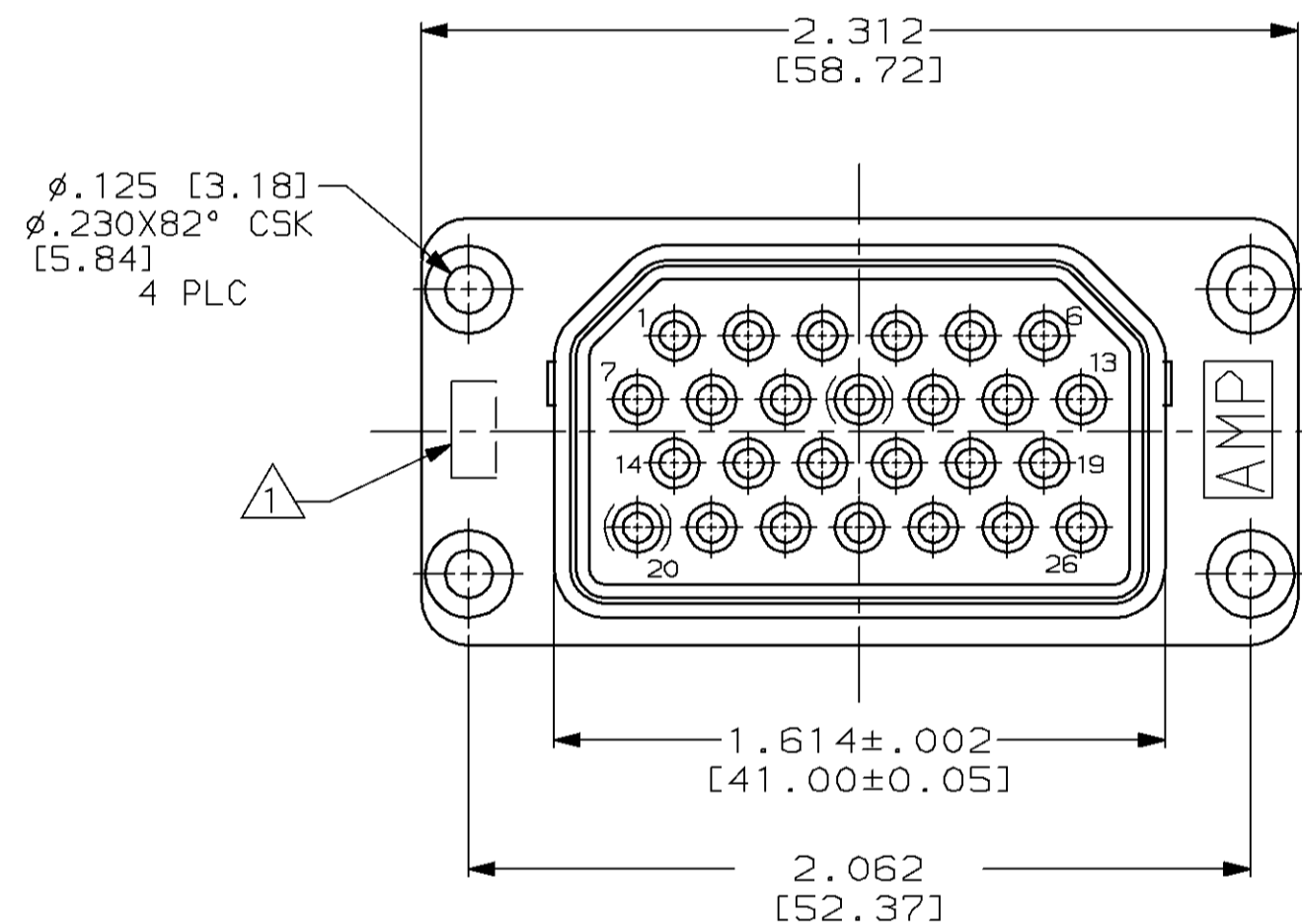
LOC		DIST		REVISIONS			
P	LTR	DESCRIPTION		DATE	DWN	APVD	
0		RELEASED PER 0600-7374-98		7-98	CT	DB	

PLUG SHELL
 MAT'L: ALUMINUM ALLOY
 FINISH: CADMIUM PLATED; YELLOW CHROMATE

SCREWS & LOCKWASHERS
 MAT'L: STAINLESS STEEL
 FINISH: PASSIVATED

26 POSN SOCKET INSERT
 MAT'L: EPOXY MLDG. CMPD.

RETENTION PLATE
 MAT'L: STAINLESS STEEL
 FINISH: PASSIVATED



- 1 DATE CODE MARKED IN THIS AREA.
- 2 AMP PART NUMBER MARKED ON THIS SURFACE.
- 3. THIS CONNECTOR IS SHIPPED WITHOUT CONTACTS.

1218201-1
 PART NO.

THIS DRAWING IS A CONTROLLED DOCUMENT.		DWN C.C.THOMAS 7-30-98	AMP Incorporated Harrisburg, PA 17105-3608	
DIMENSIONS: INCHES [mm]		CHK R.GROSS 7-30-98	NAME PLUG ASSY, ARINC 404, RMA1P265-00 (201)	
TOLERANCES UNLESS OTHERWISE SPECIFIED:		APVD R.GROSS 7-30-98	SIZE A2	CAGE CODE 00779
0 PLC ±-		PRODUCT SPEC	DRAWING NO 1218201	RESTRICTED TO
1 PLC ±-		APPLICATION SPEC	SCALE 2:1	SHEET 1 OF 1
2 PLC ±-		WEIGHT -	REV 0	
3 PLC ±.005 [0.13]		CUSTOMER DRAWING		
4 PLC ±-				
ANGLES ±-				
FINISH SEE CALLOUTS				