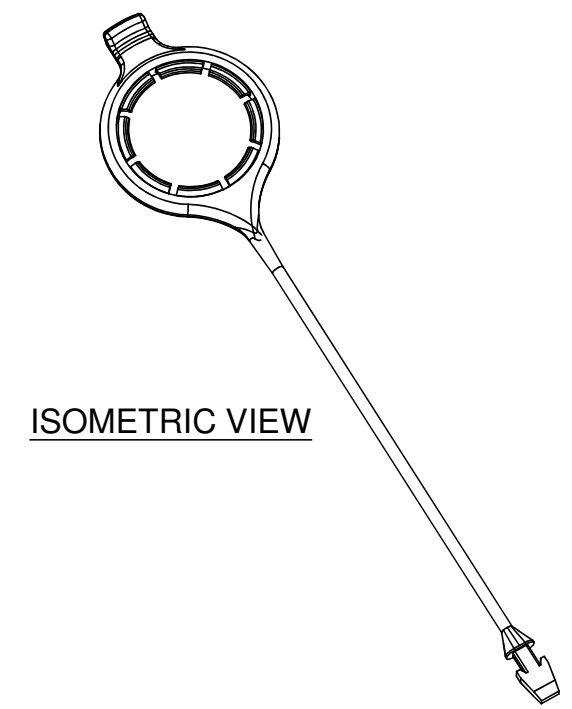
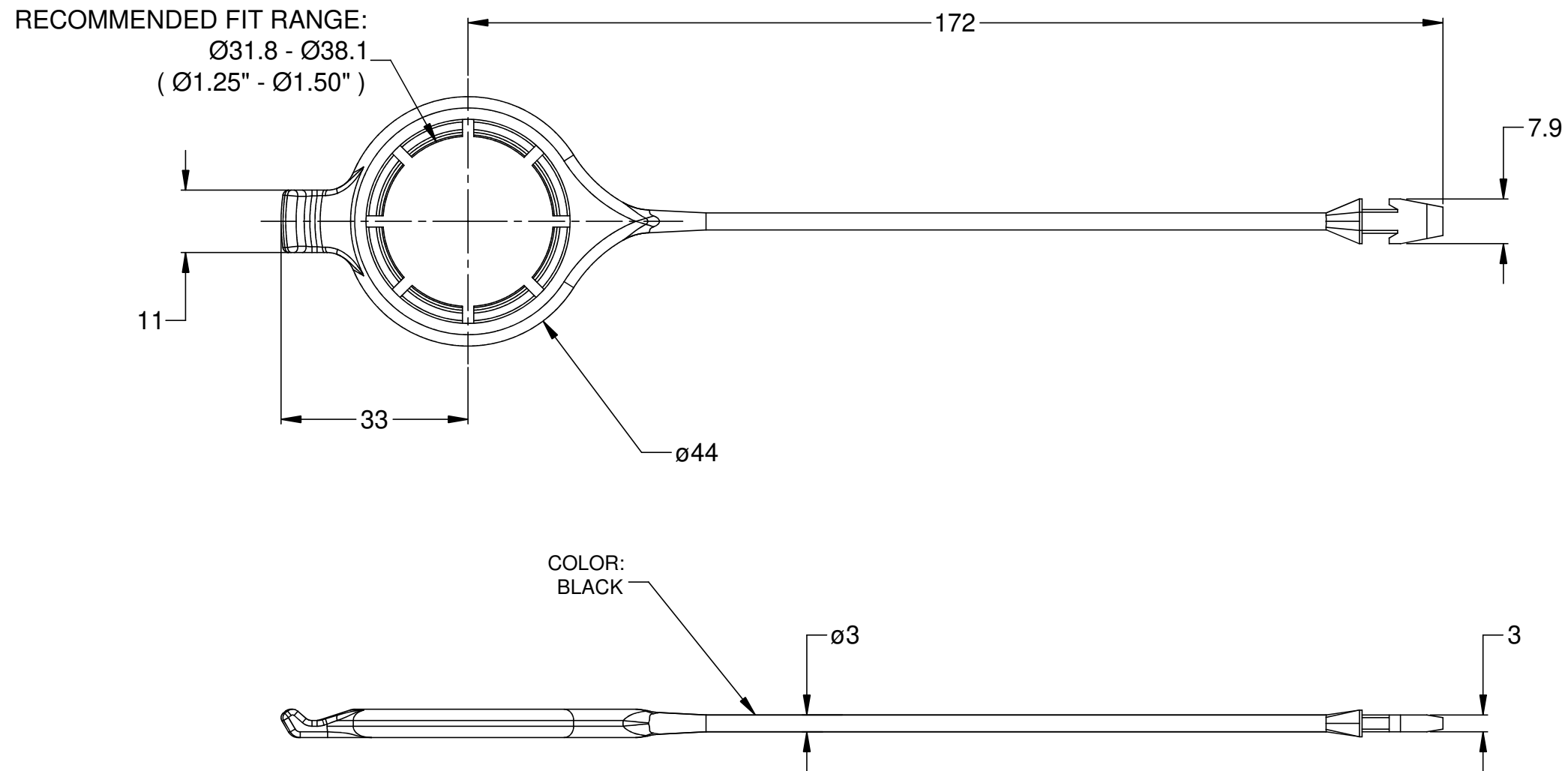


REVISIONS					
REV	ECO	DESCRIPTION	DATE	BY	APPR
A1	-	RELEASE FOR PRODUCTION	21MAR13	DRP	
A3	-	RELEASE CUSTOMER DRAWING	07NOV13	DRP	



ISOMETRIC VIEW

NOTES: UNLESS OTHERWISE SPECIFIED

1. COMPATIBLE WITH CONNECTOR AHD17-9-1939PES
2. RoHS COMPLIANT.
3. ALL DIMENSIONS ARE FOR REFERENCE USE ONLY.

AHDC-09T		DESCRIPTION		ITEM
PART NUMBER				
QUANTITY	MATERIALS LIST			
UNLESS OTHERWISE SPECIFIED 1) All dimensions are in metric(mm). 2) Tolerances are as follows: 1 PL DEC ±0.30 2 PL DEC ±0.15 3 PL DEC ±0.08 Fractions ±1/64 Angles ±1° 3) Note reference =		SIGNATURES		DATE
MATERIAL SPECIFICATIONS:		DRAWN: D.PARKS		21MAR13
PROCESS SPECIFICATIONS:		CHECKED:		
NEXT ASSY:		ENGINEER:		
		APPROVAL:		
		CUSTOMER:		
		THIS DRAWING IS SUPPLIED FOR INFORMATION ONLY. DESIGN FEATURES, SPECIFICATIONS AND PERFORMANCE DATA SHOWN HEREON ARE THE PROPERTY OF THE AMPHENOL CORPORATION. NO RIGHTS OF REPRODUCTION ARE IMPLIED. ALL DIMENSIONS ARE SUBJECT TO NORMAL MANUFACTURING VARIATIONS.		
		Sine Systems - www.amphenol-sine.com 44724 Morley Drive Clinton Township, MI 48036		
		TETHER, UNIVERSAL, AHD CAP		
SIZE	TYPE	DWG NO:	REVISION	
B	C-	AHDC-09T	A3	
SCALE: NONE		SHEET 1 OF 1		

TITLE: TETHER, UNIVERSAL, AHD CAP
DWG NO: AHDC-09T
REV: A3
SH: 1
OF: 1