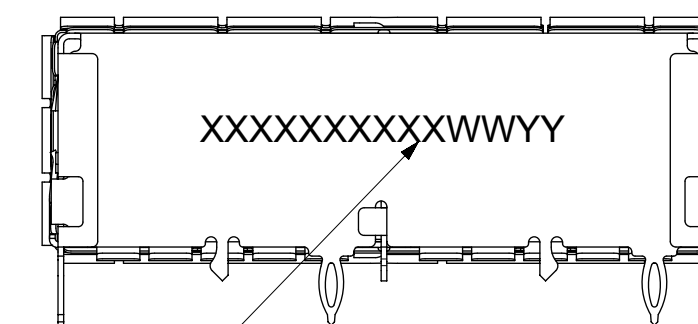
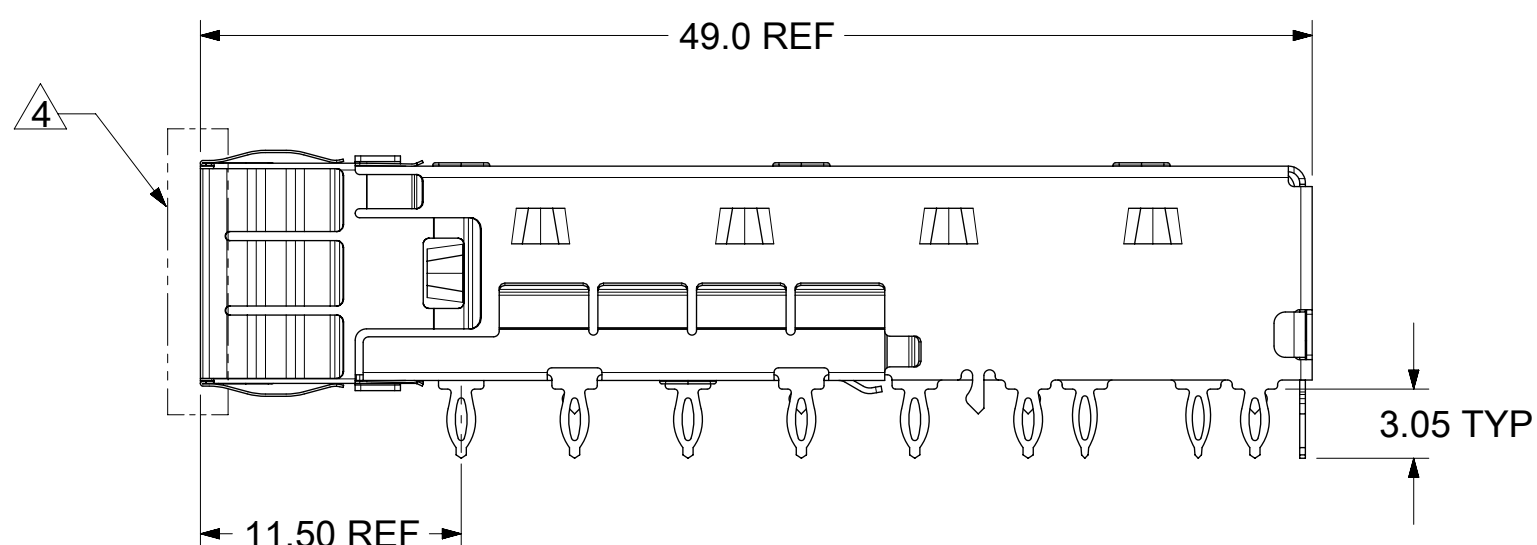
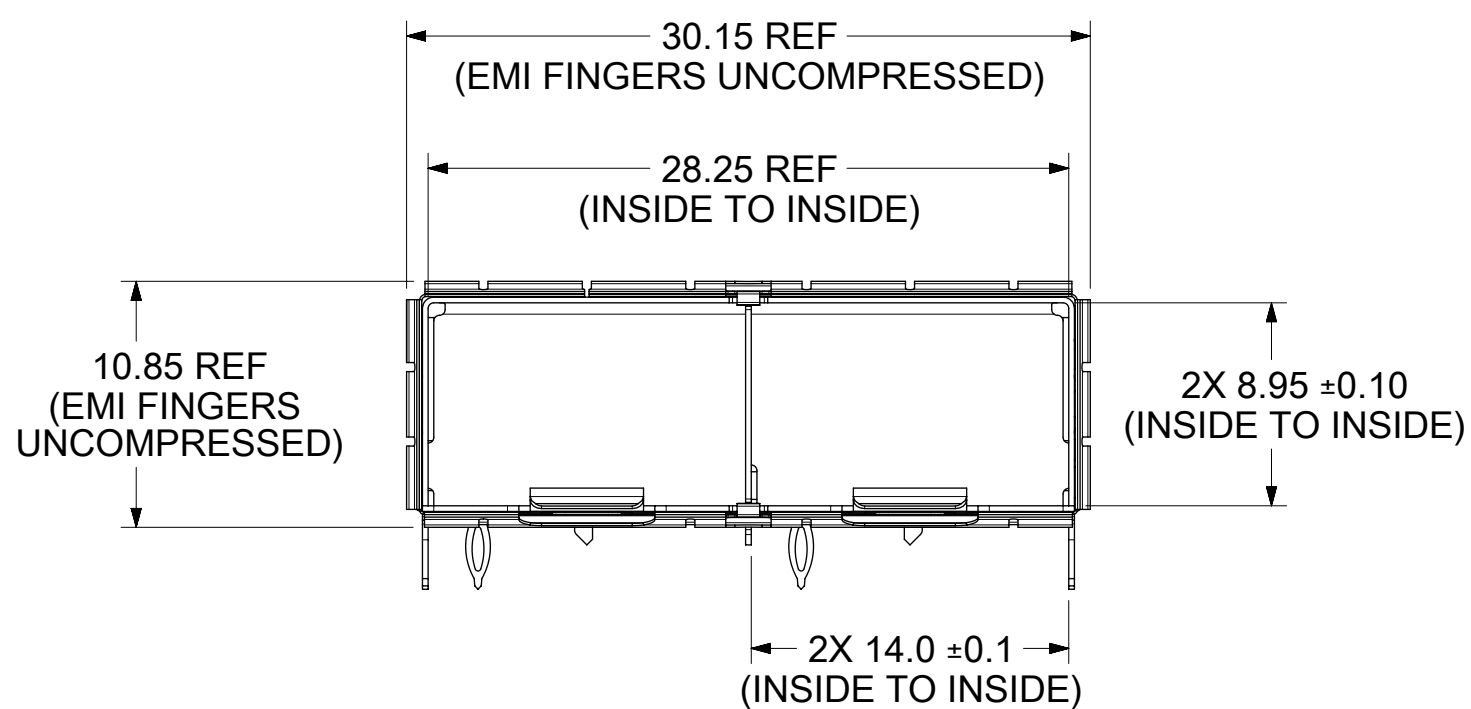
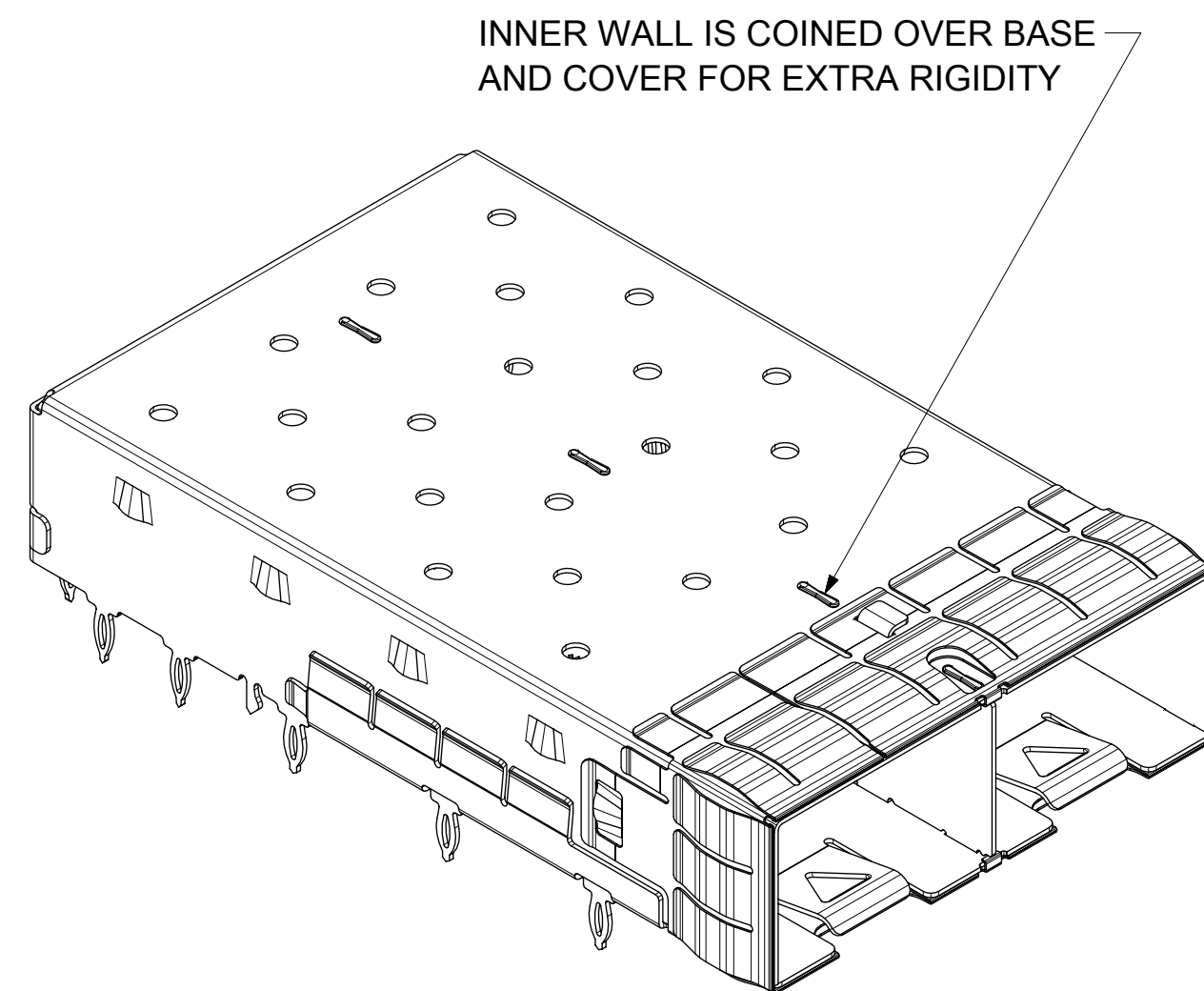
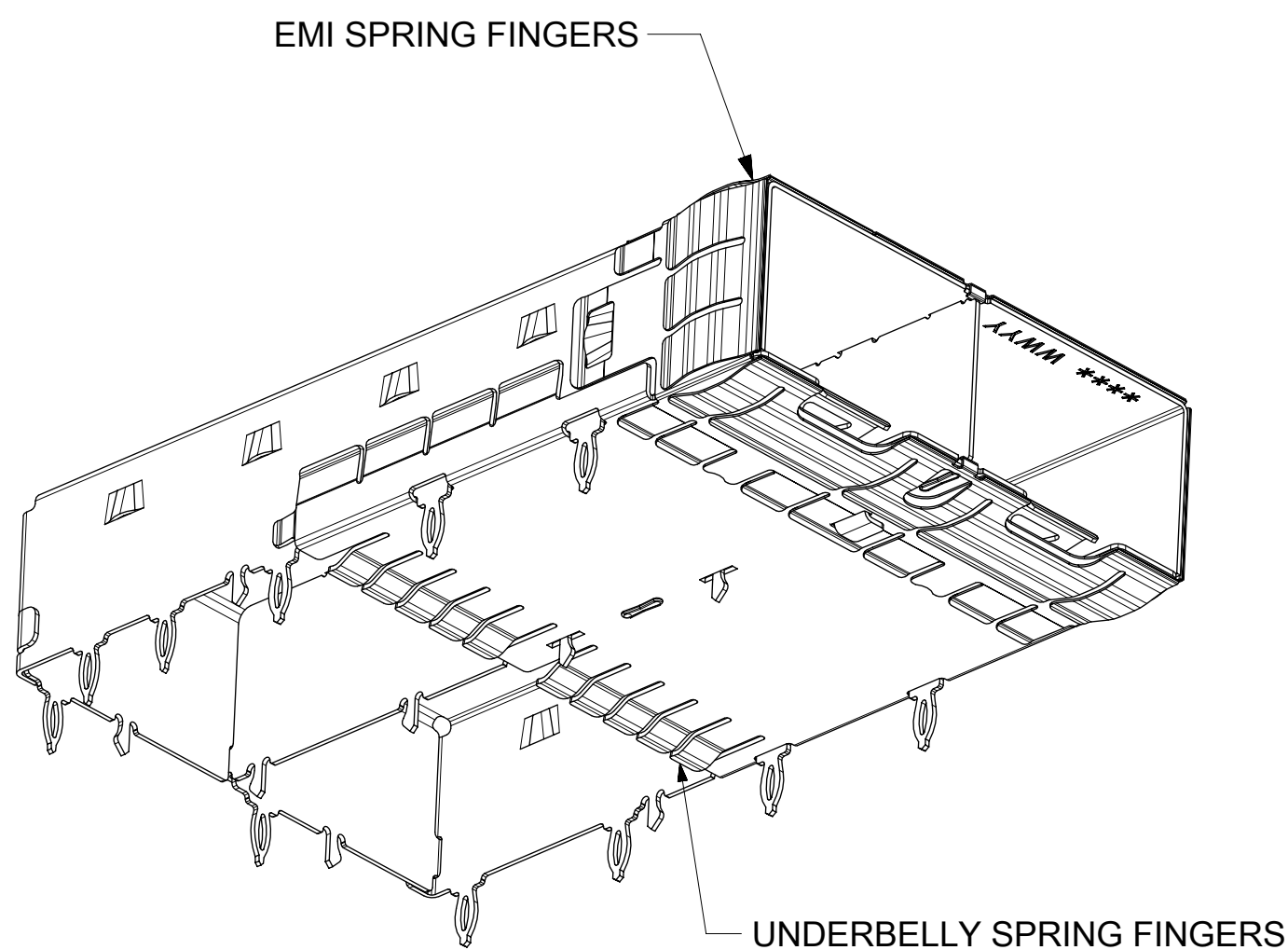
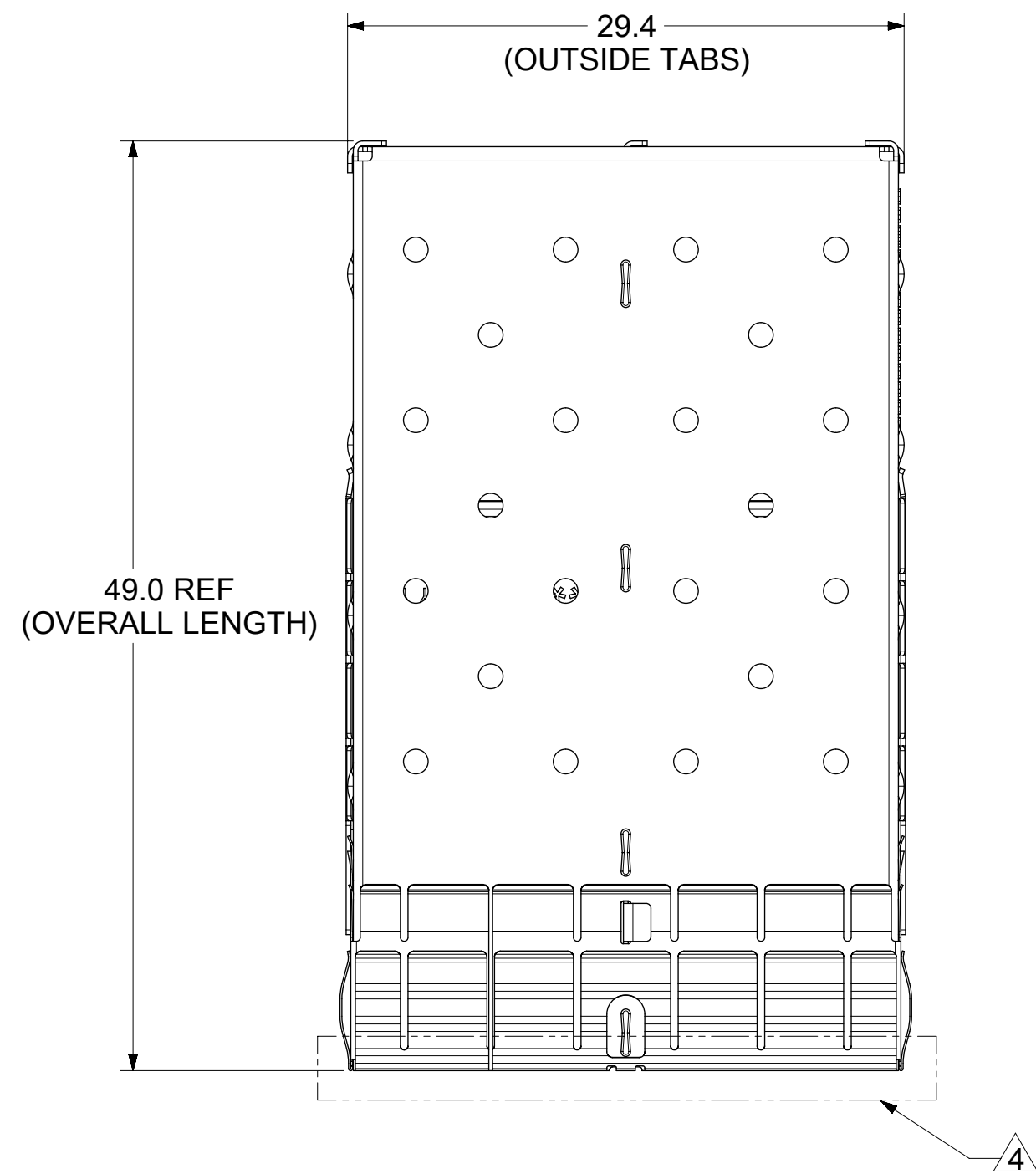


BASE CAGE DETAILS

747548220



PN/DATE CODE TO BE PRINTED ON THE BACK OF COMPLETED CAGE ASSEMBLY APPROXIMATELY AS SHOWN. FOR 74754 SERIES CAGE (747540247 NO NEED PRINTED)

NOTES:

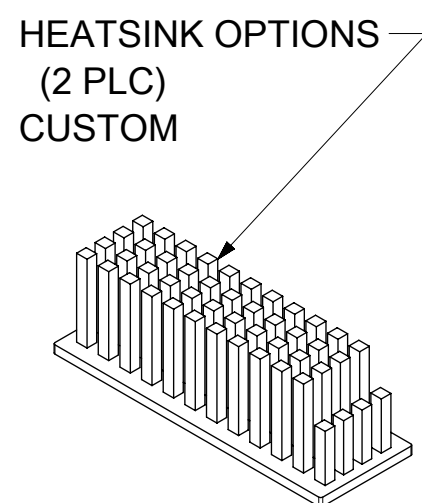
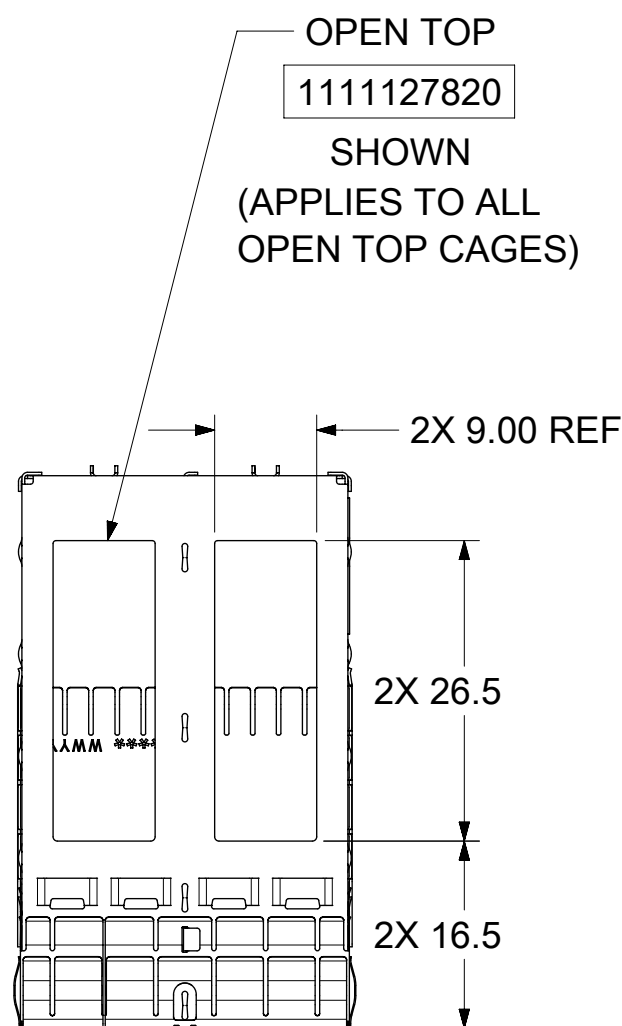
- MATERIAL:
CAGE: 0.25mm THICK COPPER ALLOY, NICKEL PLATED.
SPRING FINGERS: STAINLESS STEEL.
HEATSINK: ALUMINUM, NICKEL PLATED.
HEATSINK SPRING CLIP: STAINLESS STEEL.
- PRESS FIT LEGS 3.05mm LONG
- PORTS ARE DESIGNED FOR SFP+ TRANSCEIVERS AND ARE COMPATIBLE WITH SFP TRANSCEIVERS. THE TOP SURFACE OF THE MODULE MUST BE FLAT (NO PRODUCT LABEL RECESS) AND THERMALLY CONDUCTIVE TO FUNCTION OPTIMALLY.
- WELD SPOT MAY SHOW SLIGHT MATERIAL DISCOLORATION.
- NO RoHS EXEMPTIONS.
- CUSTOM HEATSINKS AVAILABLE UPON REQUEST.

WEEK/YEAR DATE CODE TABLE

WW	WEEK OF THE YEAR 01 THRU 52 (EXAMPLE:01= FIRST WEEK OF YEAR 52=LAST WEEK OF YEAR)
YY	23, 24, 25 ETC. EXAMPLE: YEAR 2023 = 23

FUNCTIONAL SYMBOLS	THIS DRAWING CONTAINS INFORMATION THAT IS PROPRIETARY TO MOLEX ELECTRONIC TECHNOLOGIES, LLC AND SHOULD NOT BE USED WITHOUT WRITTEN PERMISSION		CURRENT REV DESC:		molex	
	FA = 0	mm 3:1				
E = 0	GENERAL TOLERANCES (UNLESS SPECIFIED)		EC NO: 741451		SFP+ 1X2 CAGE, 3.05 MM PRESS FIT, HEAT SINK, EMI SUS SPRING FINGERS	
	ANGULAR TOL ± 1.0°		DRWN: DKUMARG 2023/03/08			
DIVISIONAL SYMBOLS	4 PLACES ±	CHK'D: SMALLESHAPPA 2023/03/08		PRODUCT CUSTOMER DRAWING		
	3 PLACES ±	APPR: TKUMARKC 2023/03/08		DOCUMENT NUMBER		
	2 PLACES ± 0.13	INITIAL REVISION:		111128820		
	1 PLACE ± 0.25	DRWN: ABHILT2 2022/04/11		PSD ASY A1		
0 PLACES ±	APPR: SCHIEN 2022/05/26		SERIES		SHEET NUMBER	
DRAFT WHERE APPLICABLE MUST REMAIN WITHIN DIMENSIONS		THIRD ANGLE PROJECTION	DRAWING	C-SIZE	111112	SEE SHEET 3

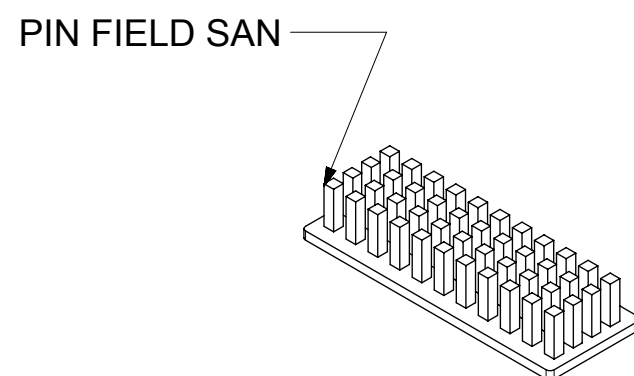
CAGE ASSEMBLY OPTIONS



OVERALL HEATSINK HEIGHT

STYLE	DIM 'A'	DIM 'B'
CUSTOM	20.4	16.7

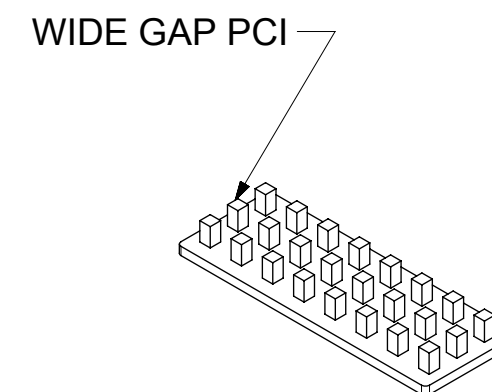
HEATSINK OPTIONS (2 PLC)



OVERALL HEATSINK HEIGHT

APPLICATION	STYLE	DIM 'A'
SAN	PIN FIELD	16.6

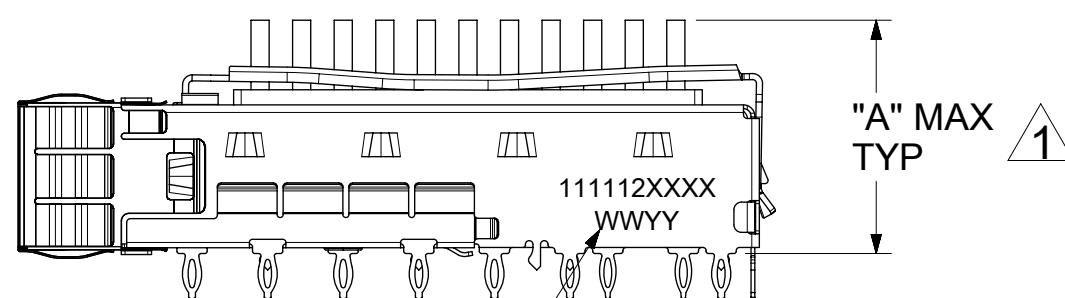
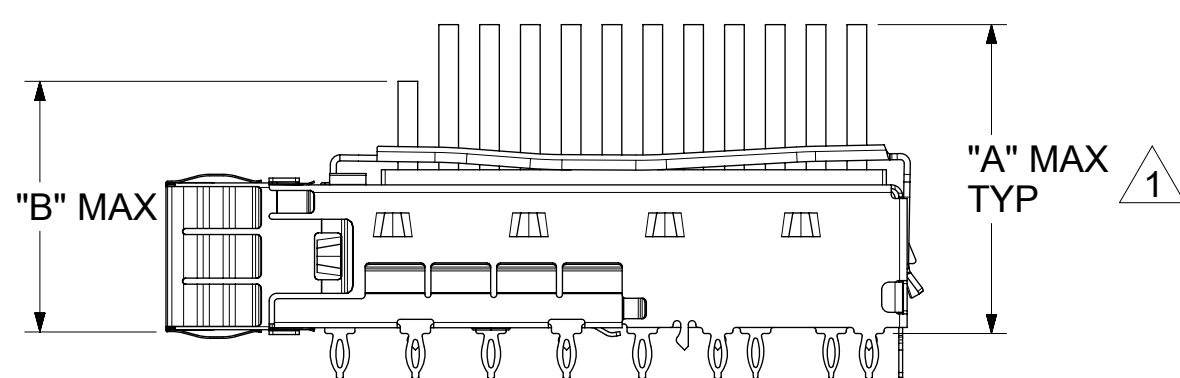
HEATSINK OPTIONS (2 PLC)



OVERALL HEATSINK HEIGHT

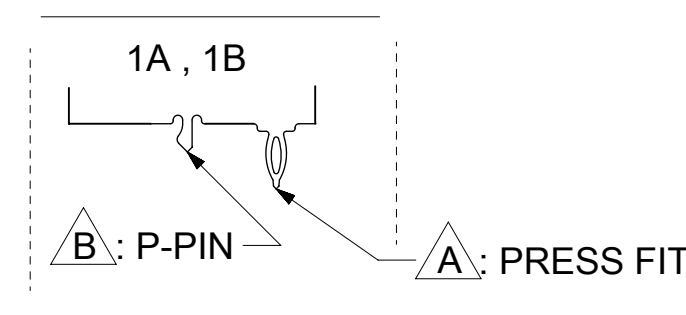
APPLICATION	STYLE	DIM 'A'
PCI	WIDE GAP PIN	14.3

NOTE: PCI - 13 ROWS
SAN - 11 ROWS



PN/DATE CODE TO BE PRINTED ON THE SIDE OF COMPLETED CAGE ASSEMBLY APPROXIMATELY AS SHOWN. FOR 11112 SERIES CAGES

REAR LEG OPTIONS (PER PORT)

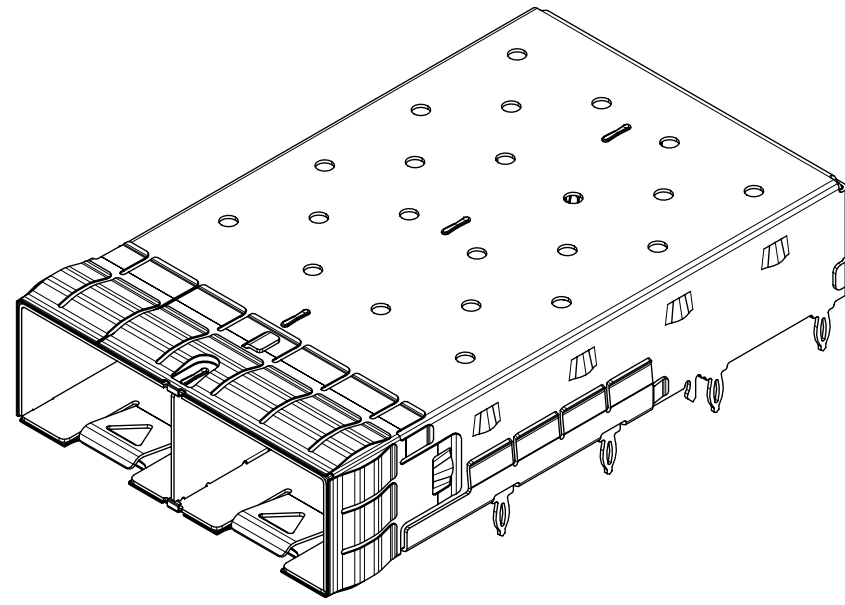


WEEK/YEAR DATE CODE TABLE	
WW	01 THRU 52 OR 53 EXAMPLE: 01 = FIRST WEEK OF YEAR 52 = LAST WEEK OF YEAR
YY	23, 24, 25 ETC. EXAMPLE: YEAR 2023 = 23

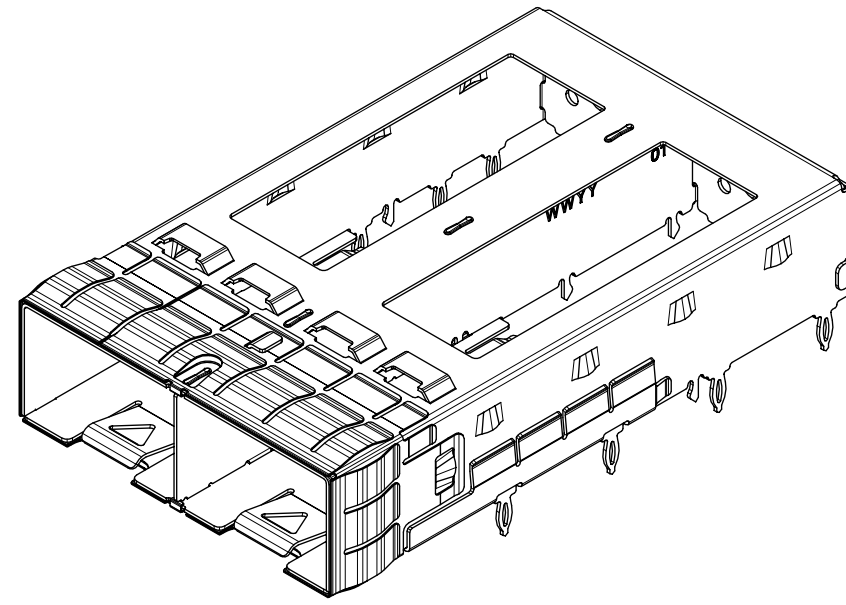
WITH MODULE INSERTED, DIMENSION MAY BE LESS DUE TO MODULE AND HEATSINK VARIATIONS

FUNCTIONAL SYMBOLS	THIS DRAWING CONTAINS INFORMATION THAT IS PROPRIETARY TO MOLEX ELECTRONIC TECHNOLOGIES, LLC AND SHOULD NOT BE USED WITHOUT WRITTEN PERMISSION		CURRENT REV DESC:						
	DIMENSION UNITS	SCALE							EC NO: 741451
$\nabla_A = 0$	mm	1.5:1	DRWN: DKUMARG 2023/03/08		SFP+ 1X2 CAGE, 3.05 MM PRESS FIT, HEAT SINK, EMI SUS SPRING FINGERS				
$\nabla_E = 0$	GENERAL TOLERANCES (UNLESS SPECIFIED)		CHK'D: SMALLESHAPPA 2023/03/08						
$\nabla_P = 0$	ANGULAR TOL $\pm 1.0^\circ$		APPR: TKUMARKC 2023/03/08		PRODUCT CUSTOMER DRAWING				
DIVISIONAL SYMBOLS	4 PLACES \pm		INITIAL REVISION:						
	3 PLACES \pm		DRWN: ABHILT2 2022/04/11		DOCUMENT NUMBER		DOC TYPE	DOC PART	REVISION
	2 PLACES ± 0.13		APPR: SCHIEN 2022/05/26		111128820		PSD	ASY	A1
	1 PLACE ± 0.25				MATERIAL NUMBER		CUSTOMER		SHEET NUMBER
	0 PLACES \pm				SEE SHEET 3				2 OF 7
	DRAFT WHERE APPLICABLE MUST REMAIN WITHIN DIMENSIONS		THIRD ANGLE PROJECTION	DRAWING	SERIES	C-SIZE		111112	

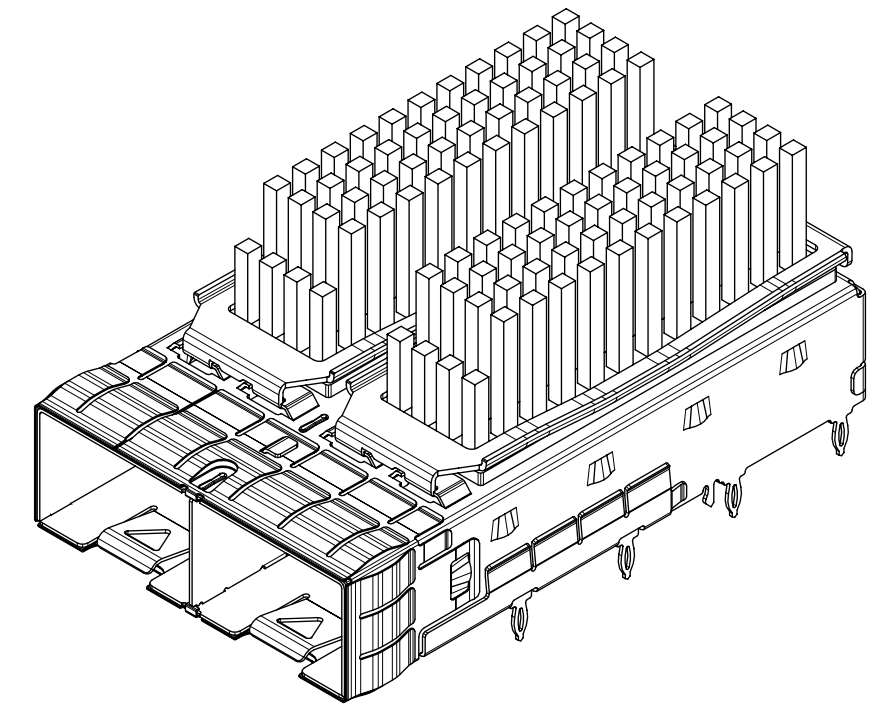
PART NUMBER SELECTION



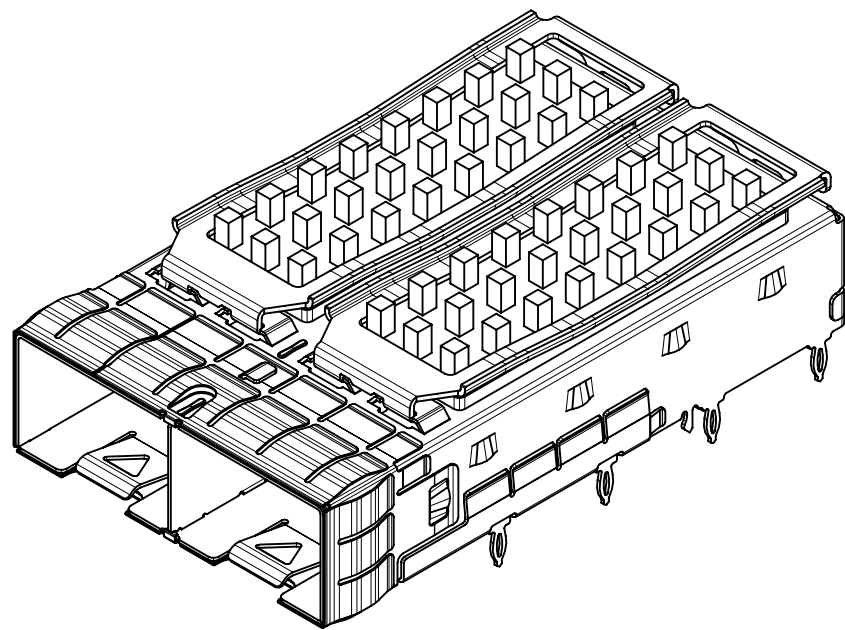
SFP+ CLOSED TOP BASE CAGE	
PART NO.	DESCRIPTION
747548220	SFP FOOTPRINT (STD B TO B), 5 WELD POINTS
747548247	SAME AS ABOVE BUT NO PN/DATE CODE PRINTED



SFP+ OPEN TOP BASE CAGE FOR HEATSINK	
PART NO.	
1111127820	



SFP+ CUSTOM HEATSINK OPTION	
PART NO.	
1111128226	

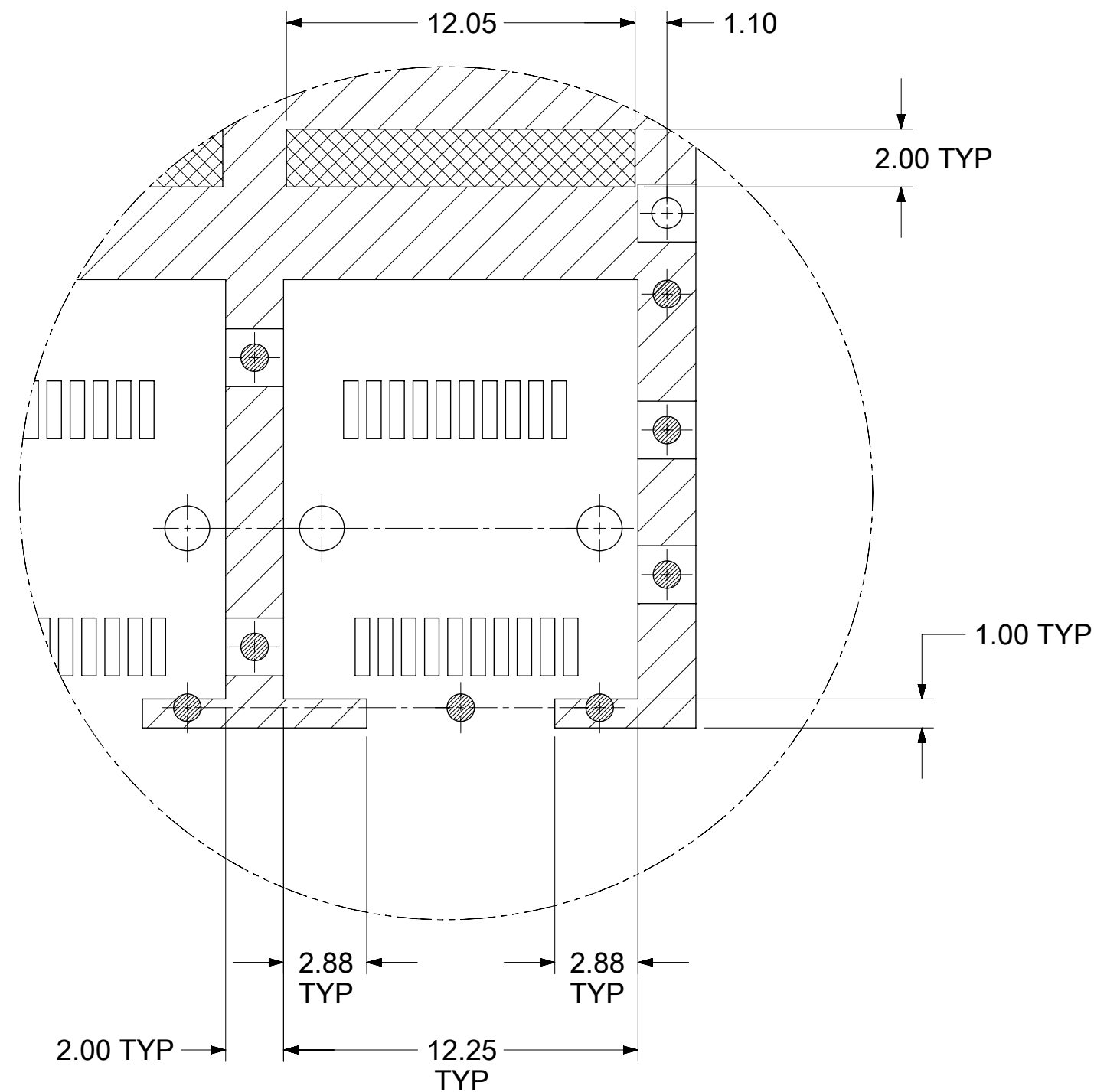
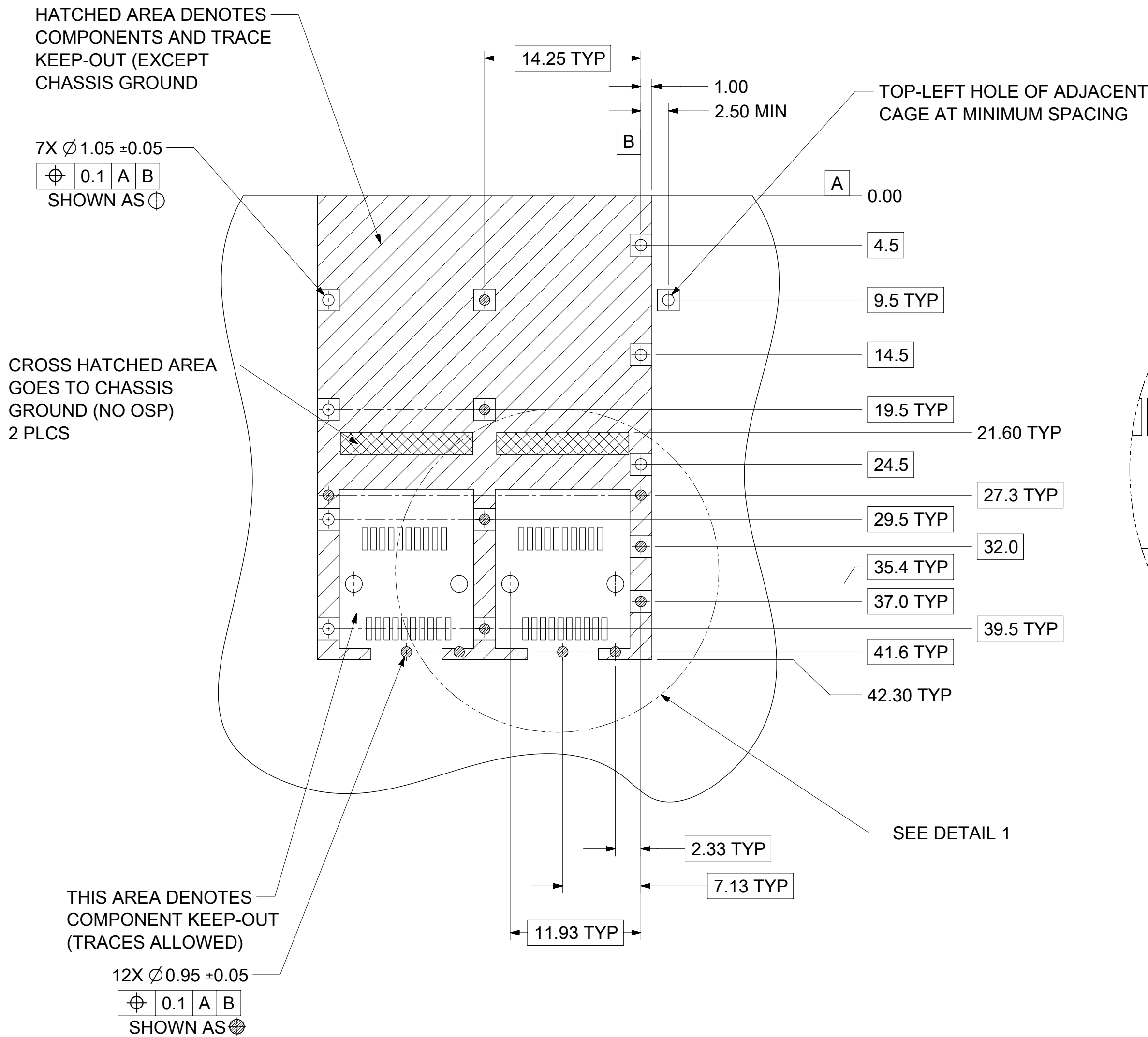


SFP+ LATERAL FIN HEATSINK OPTION	
PART NO.	APPLICATION
1111128820	PCI

FUNCTIONAL SYMBOLS $\nabla_A = 0$ $\nabla_E = 0$ $\nabla_P = 0$	THIS DRAWING CONTAINS INFORMATION THAT IS PROPRIETARY TO MOLEX ELECTRONIC TECHNOLOGIES, LLC AND SHOULD NOT BE USED WITHOUT WRITTEN PERMISSION		molex SFP+ 1X2 CAGE, 3.05 MM PRESS FIT, HEAT SINK, EMI SUS SPRING FINGERS	
	DIMENSION UNITS	SCALE		
	mm	1.25:1	EC NO: 741451	
	GENERAL TOLERANCES (UNLESS SPECIFIED)		DRWN: DKUMARG 2023/03/08	
ANGULAR TOL $\pm 1.0^\circ$		CHK'D: SMALLESHAPPA 2023/03/08		
4 PLACES \pm		APPR: TKUMARKC 2023/03/08		
3 PLACES \pm		INITIAL REVISION:		
2 PLACES ± 0.13		DRWN: ABHILT2 2022/04/11		
1 PLACE ± 0.25		APPR: SCHIEN 2022/05/26		
0 PLACES \pm		DOCUMENT NUMBER		
DRAFT WHERE APPLICABLE MUST REMAIN WITHIN DIMENSIONS		1111128820		
THIRD ANGLE PROJECTION	DRAWING	DOC TYPE		
	C-SIZE	PSD		
SERIES	MATERIAL NUMBER	DOC PART		
111112	SEE SHEET 3	ASY		
CUSTOMER	SHEET NUMBER	REVISION		
	3 OF 7	A1		

DOCUMENT STATUS	P1	RELEASE DATE	2023/03/08	11:03:09
-----------------	----	--------------	------------	----------

PCB LAYOUT - SINGLE SIDE ONLY

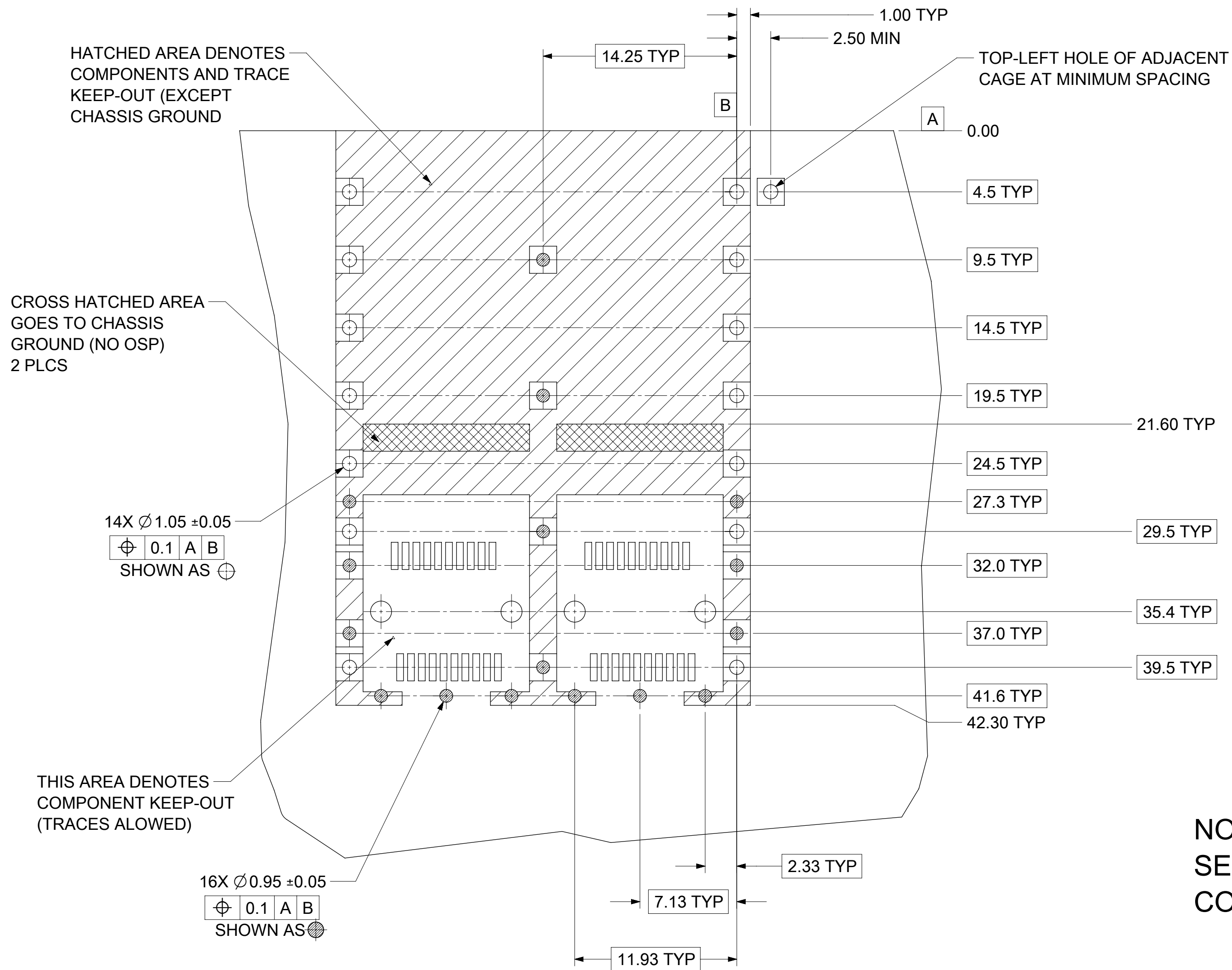


DETAIL 1
SCALE 5:1

- NOTES:
- PADS AND VIAS CONNECT TO CHASSIS GROUND
RECOMMEND PADS TO BE 2.00mm SQUARE
 - RECOMMENDED THRU HOLE PLATING INCLUDES HASL, OSP, OR IMMERSION (GOLD, SILVER, OR TIN)
 - CONNECTOR PAD LAYOUT PER SFP+ MSA WILL ACCOMODATE MOLEX CONNECTOR SERIES 74441 OR EQUIVALENT.
 - SPACING BETWEEN PORTS IS 14.25mm
 - 1.57mm MINIMUM PCB THICKNESS FOR SINGLE SIDED USE.

FUNCTIONAL SYMBOLS	THIS DRAWING CONTAINS INFORMATION THAT IS PROPRIETARY TO MOLEX ELECTRONIC TECHNOLOGIES, LLC AND SHOULD NOT BE USED WITHOUT WRITTEN PERMISSION		CURRENT REV DESC:					
	DIMENSION UNITS	SCALE						
$\frac{F}{A} = 0$	mm	1:1	DRWN: DKUMARG 2023/03/08		SFP+ 1X2 CAGE, 3.05 MM PRESS FIT, HEAT SINK, EMI SUS SPRING FINGERS			
$\frac{F}{C} = 0$	GENERAL TOLERANCES (UNLESS SPECIFIED)		CHK'D: SMALLESHAPPA 2023/03/08		PRODUCT CUSTOMER DRAWING			
$\frac{F}{P} = 0$	ANGULAR TOL ± 1.0°		APPR: TKUMARKC 2023/03/08		DOCUMENT NUMBER			
DIVISIONAL SYMBOLS	4 PLACES ±		INITIAL REVISION:		1111128820		DOC TYPE	
	3 PLACES ±		DRWN: ABHILT2 2022/04/11		PSD		DOC PART	
	2 PLACES ± 0.13		APPR: SCHIEN 2022/05/26		ASY		REVISION	
	1 PLACE ± 0.25				A1			
	0 PLACES ±							
DRAFT WHERE APPLICABLE MUST REMAIN WITHIN DIMENSIONS		THIRD ANGLE PROJECTION	DRAWING	SERIES	MATERIAL NUMBER	CUSTOMER	SHEET NUMBER	
			C-SIZE	111112	SEE SHEET 3		4 OF 7	

PCB LAYOUT FOR BELLY TO BELLY MOUNTING



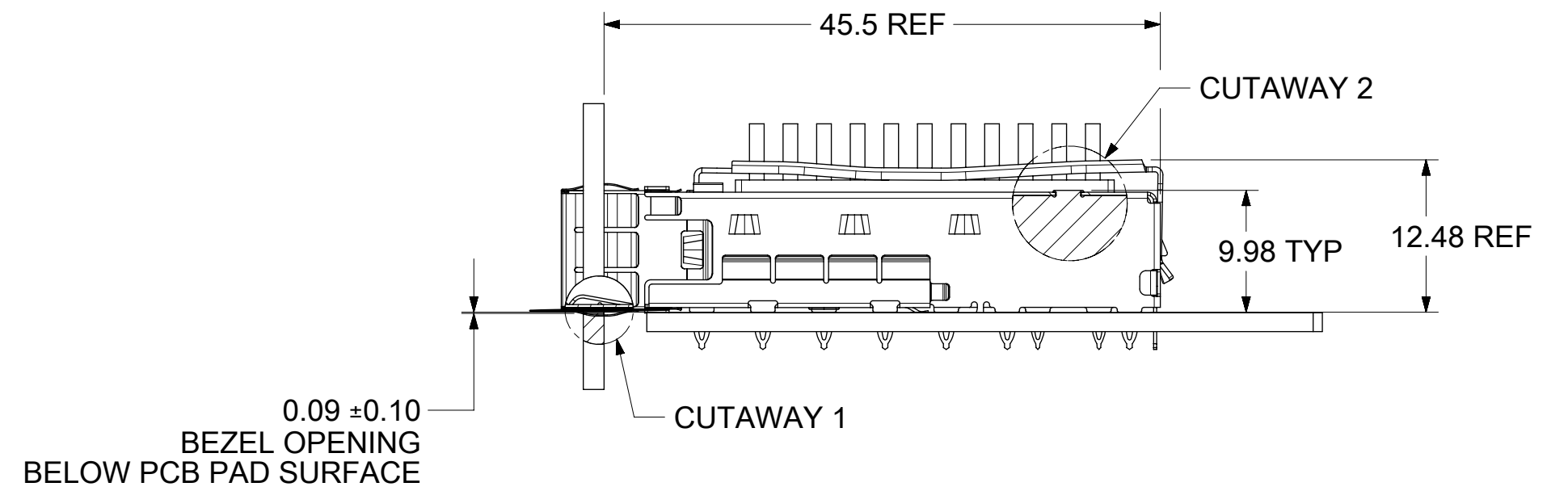
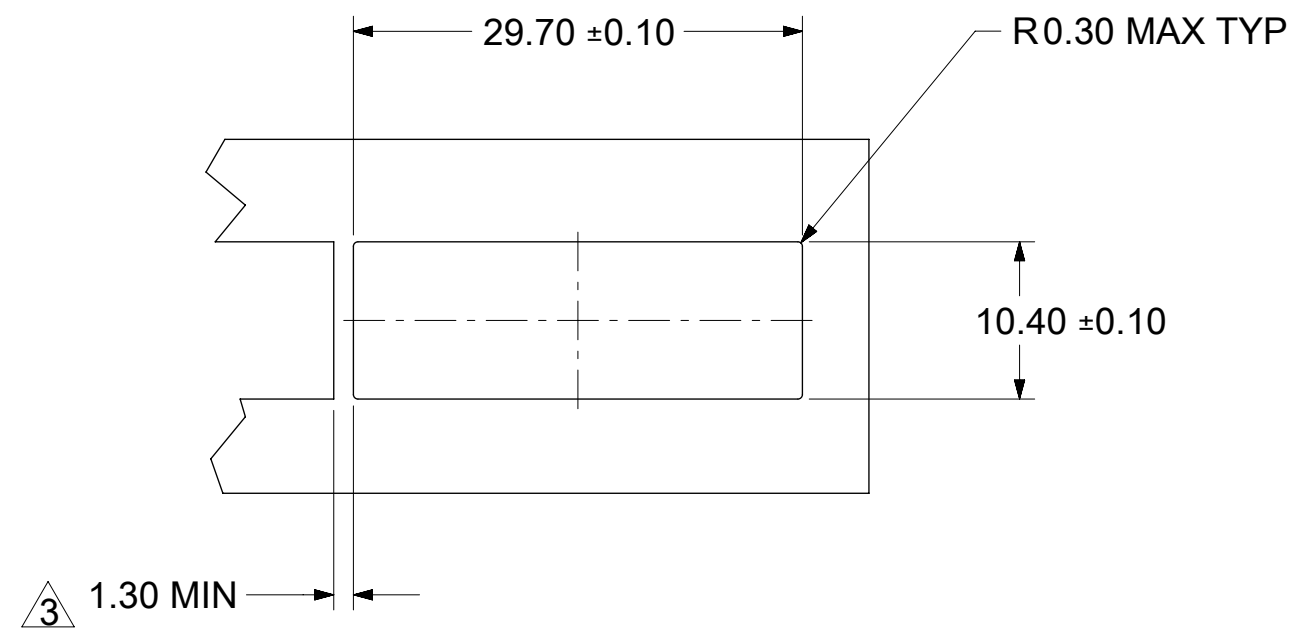
NOTE:
SEE SHEET 4 FOR HOST CONNECTOR DETAIL

NOTES:

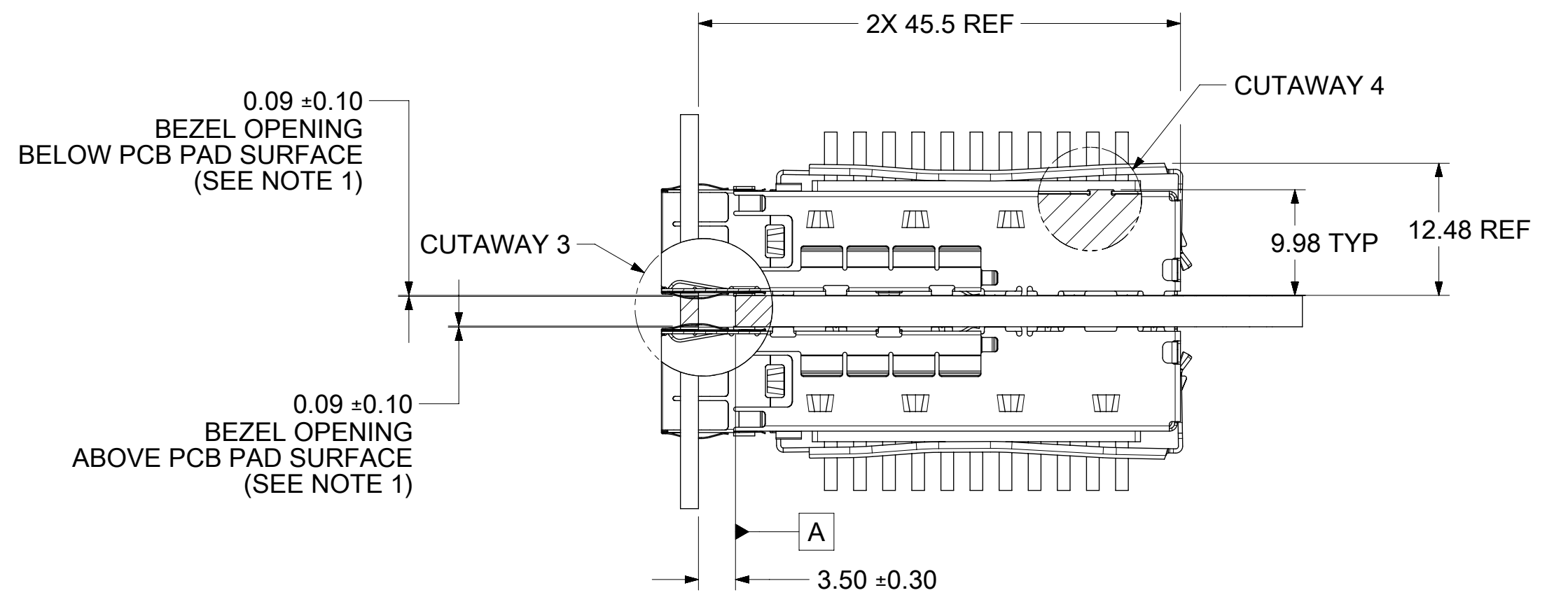
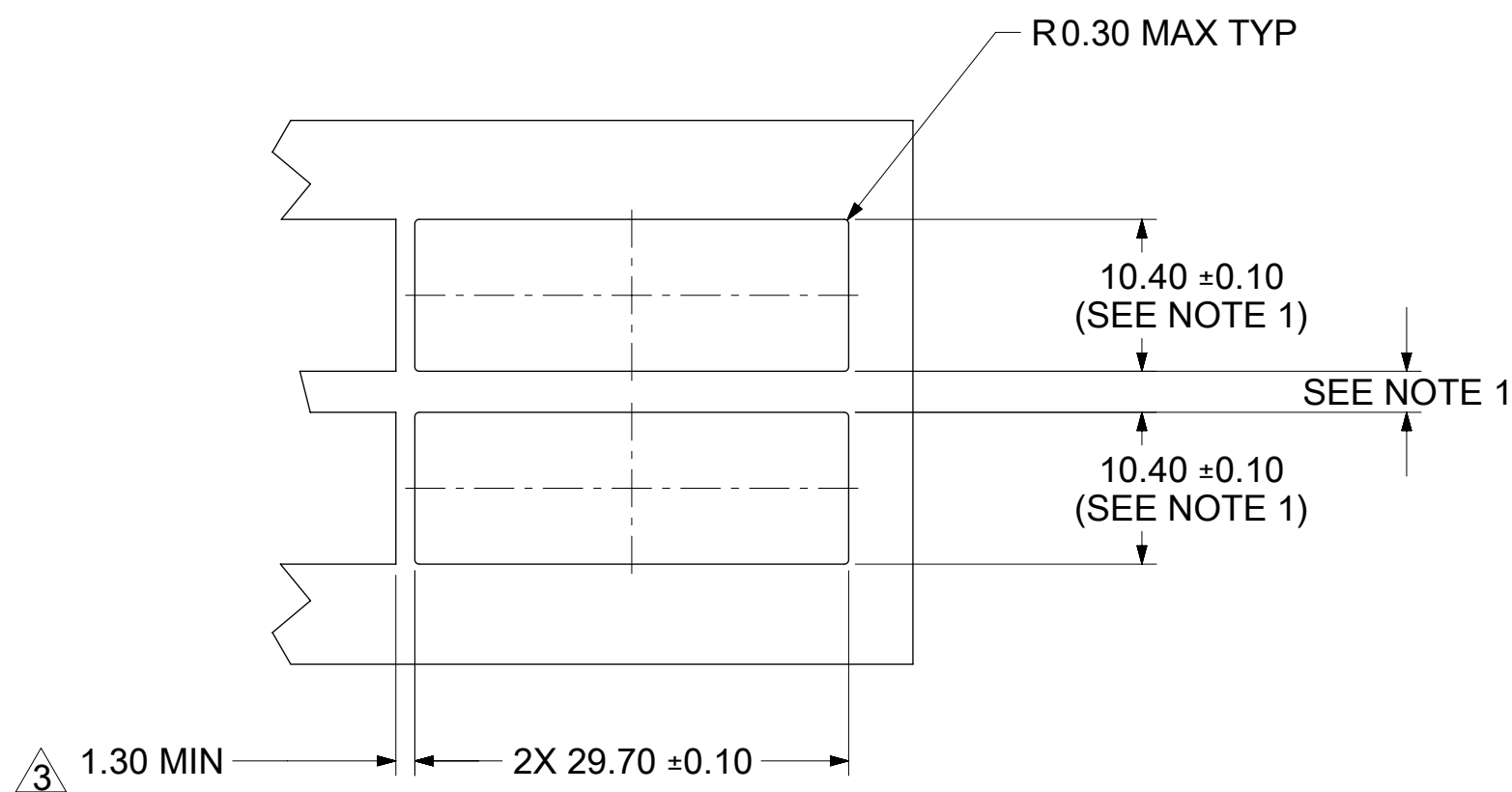
1. PADS AND VIAS CONNECT TO CHASSIS GROUND
RECOMMEND PADS TO BE 2.00mm SQUARE
2. RECOMMENDED THRU HOLE PLATING INCLUDES HASL, OSP, OR IMMERSION (GOLD, SILVER, OR TIN)
3. CONNECTOR PAD LAYOUT PER SFP+ MSA WILL ACCOMODATE MOLEX CONNECTOR SERIES 74441 OR EQUIVALENT.
4. SPACING BETWEEN PORTS IS 14.25mm
5. 3.00mm [.118 INCH] MINIMUM PCB THICKNESS FOR BELLY TO BELLY USE.

FUNCTIONAL SYMBOLS	THIS DRAWING CONTAINS INFORMATION THAT IS PROPRIETARY TO MOLEX ELECTRONIC TECHNOLOGIES, LLC AND SHOULD NOT BE USED WITHOUT WRITTEN PERMISSION		CURRENT REV DESC:					
	DIMENSION UNITS	SCALE						
$\frac{F}{A} = 0$	mm	4:1	DRWN: DKUMARG		2023/03/08	PRODUCT CUSTOMER DRAWING		
$\frac{E}{C} = 0$	GENERAL TOLERANCES (UNLESS SPECIFIED)		CHK'D: SMALLESHAPPA		2023/03/08	DOCUMENT NUMBER		
$\frac{E}{P} = 0$	ANGULAR TOL ± 1.0°		APPR: TKUMARKC		2023/03/08	1111128820		DOC TYPE
DIVISIONAL SYMBOLS	4 PLACES ±		INITIAL REVISION:		2022/04/11		PSD	DOC PART
	3 PLACES ±		DRWN: ABHILT2		2022/05/26		ASY	REVISION
	2 PLACES ± 0.13		APPR: SCHIEN				A1	
	1 PLACE ± 0.25		DRAFT WHERE APPLICABLE MUST REMAIN WITHIN DIMENSIONS		THIRD ANGLE PROJECTION		MATERIAL NUMBER	CUSTOMER
	0 PLACES ±		C-SIZE		SERIES		SEE SHEET 3	SHEET NUMBER
			111112				5 OF 7	

BEZEL AND BOARD POSITION DIMENSIONS FOR SINGLE SIDE MOUNTING (SPRING FINGER)



BEZEL AND BOARD POSITION DIMENSIONS FOR BELLY TO BELLY MOUNTING (SPRING FINGER)



- NOTE:**
1. PCB THICKNESS VARIATION MUST BE CONSIDERED WHEN DETERMINING BEZEL OPENING SIZE AND LOCATION.
 2. CAGE LEG STANDOFF WILL PIERCE BELLY GASKET WHEN PROPERLY PRESSED INTO PCB.
 3. THIS DIMENSION IS FOR REF ONLY. USER CAN MODIFY IT DEPENDS ON APPLICATION. HOLE OF ADJACENT CAGE ON PCB LAYOUT VARIES ON MODIFICATION.

FUNCTIONAL SYMBOLS	THIS DRAWING CONTAINS INFORMATION THAT IS PROPRIETARY TO MOLEX ELECTRONIC TECHNOLOGIES, LLC AND SHOULD NOT BE USED WITHOUT WRITTEN PERMISSION		CURRENT REV DESC:		molex			
	DIMENSION UNITS	SCALE						
$\frac{E}{A} = 0$	mm	2:1	EC NO: 741451 DRWN: DKUMARG 2023/03/08 CHK'D: SMALLESHAPPA 2023/03/08 APPR: TKUMARKC 2023/03/08		SFP+ 1X2 CAGE, 3.05 MM PRESS FIT, HEAT SINK, EMI SUS SPRING FINGERS			
$\frac{E}{C} = 0$	GENERAL TOLERANCES (UNLESS SPECIFIED)							
$\frac{E}{P} = 0$	ANGULAR TOL ± 1.0°		INITIAL REVISION: DRWN: ABHILT2 2022/04/11 APPR: SCHIEN 2022/05/26		PRODUCT CUSTOMER DRAWING			
DIVISIONAL SYMBOLS	4 PLACES ±				DOCUMENT NUMBER 111128820		DOC TYPE	DOC PART
	3 PLACES ±		PSD	ASY			A1	
	2 PLACES ±	0.13	DRAFT WHERE APPLICABLE MUST REMAIN WITHIN DIMENSIONS		MATERIAL NUMBER	CUSTOMER	SHEET NUMBER	
	1 PLACE ±	0.25			SEE SHEET 3		6 OF 7	
	0 PLACES ±		THIRD ANGLE PROJECTION	DRAWING	SERIES			
				C-SIZE	111112			

