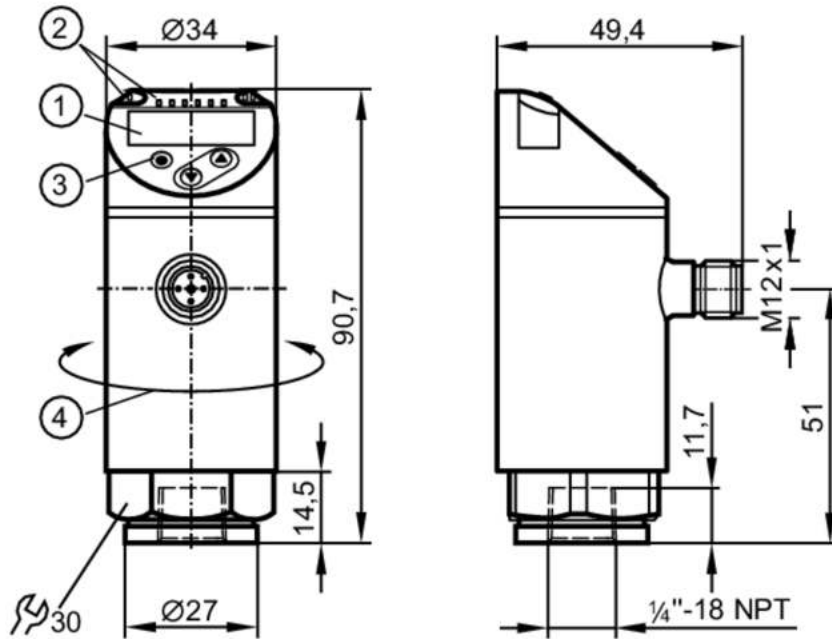


PN2296



Pressure sensor with display

PN-2,5-REN14-MFRKG/US/IV



- 1 alphanumeric display 4-digit red/green
- 2 LEDs Display unit / switching status
- 3 programming button
- 4 upper part of the housing can be rotated 345°



Product characteristics

Number of inputs and outputs	Number of digital outputs: 2; Number of analogue outputs: 1			
Measuring range	-0.125...2.5 bar	-125...2500 mbar	-1.8...36.25 psi	-12.5...250 kPa
Process connection	threaded connection 1/4" NPT internal thread			

Application

Special feature	Gold-plated contacts		
Measuring element	ceramic-capacitive pressure measuring cell		
Application	for industrial applications		
Media	liquids and gases		
Medium temperature [°C]	-25...80		
Min. bursting pressure	50 bar	725 psi	5000 kPa
Pressure rating	20 bar	290 psi	2000 kPa
Vacuum resistance [mbar]	-1000		
Type of pressure	relative pressure		
MAWP (for applications according to CRN)	20 bar	290 psi	2000 kPa

Electrical data

Operating voltage [V]	18...30 DC; (to SELV/PELV)		
Current consumption [mA]	< 35		
Min. insulation resistance [MΩ]	100; (500 V DC)		
Protection class	III		

PN2296



Pressure sensor with display

PN-2,5-REN14-MFRKG/US/IV

Reverse polarity protection	yes
Power-on delay time [s]	0.3
Integrated watchdog	yes

Inputs / outputs

Number of inputs and outputs	Number of digital outputs: 2; Number of analogue outputs: 1
------------------------------	---

Outputs

Total number of outputs	2
Output signal	switching signal; analogue signal; IO-Link; (configurable)
Electrical design	PNP/NPN
Number of digital outputs	2
Output function	normally open / normally closed; (parameterisable)
Max. voltage drop switching output DC [V]	2
Permanent current rating of switching output DC [mA]	250
Switching frequency DC [Hz]	< 500
Number of analogue outputs	1
Analogue current output [mA]	4...20; (scalable 1:5)
Max. load [Ω]	500
Analogue voltage output [V]	0...10; (scalable 1:5)
Min. load resistance [Ω]	2000
Short-circuit protection	yes
Type of short-circuit protection	pulsed
Overload protection	yes

Measuring/setting range

Measuring range	-0.125...2.5 bar	-125...2500 mbar	-1.8...36.25 psi	-12.5...250 kPa
Analogue start point	-0.125...2 bar		-1.8...29 psi	-12.5...200 kPa
Analogue end point	0.375...2.5 bar		5.45...36.25 psi	37.5...250 kPa

Factory setting / CMPT = 2

Set point SP	-0.11...2.5 bar	-1.6...36.25 psi	-11...250 kPa
Reset point rP	-0.12...2.49 bar	-1.75...36.1 psi	-12...249 kPa
Min. difference between SP and rP	0.015 bar	0.15 psi	1.5 kPa
In steps of	0.005 bar	0.05 psi	0.5 kPa

Status_B High Resolution / CMPT = 3

Set point SP	-0.109...2.5 bar	-1.58...36.26 psi	-10.9...250 kPa
Reset point rP	-0.12...2.49 bar	-1.73...36.11 psi	-12...249 kPa
Min. difference between SP and rP	0.011 bar	0.15 psi	1.1 kPa
In steps of	0.001 bar	0.01 psi	0.1 kPa

Accuracy / deviations

Switch point accuracy [% of the span]	< ± 0,4; (Turn down 1:1)
Repeatability [% of the span]	< ± 0,1; (with temperature fluctuations < 10 K; Turn down 1:1)
Characteristics deviation	< ± 0,25 (BFSL) / < ± 0,5 (LS); (Turn down 1:1; BFSL = Best Fit Straight Line; LS = limit value setting)



Pressure sensor with display

PN-2,5-REN14-MFRKG/US/ IV

	[% of the span]	
Hysteresis deviation	[% of the span]	< ± 0,1; (Turn down 1:1)
Long-term stability	[% of the span]	< ± 0,05; (Turn down 1:1; per 6 months)
Temperature coefficient zero point	[% of the span / 10 K]	< ± 0,2; (-0...80 °C)
Temperature coefficient span	[% of the span / 10 K]	< ± 0,2; (-0...80 °C)
Notes on the accuracy / deviation		switch point accuracy, linearity error under DNV GL: < ± 1%: < ± 1%

Response times

Response time	[ms]	< 1.5
Delay time programmable dS, dr	[s]	0...50
Damping process value dAP	[s]	0...4
Damping for the analogue output dAA	[s]	0...4
Max. response time analogue output	[ms]	3

Software / programming

Parameter setting options	hysteresis / window; normally open / normally closed; switch-on/ switch-off delay; Damping; Display unit; current/voltage output
---------------------------	--

Interfaces

Communication interface	IO-Link						
Transmission type	COM2 (38,4 kBaud)						
IO-Link revision	1.1						
SDCI standard	IEC 61131-9						
SIO mode	yes						
Required master port type	A; (when pin 2 not connected: B)						
Supported DeviceIDs	<table border="1"> <thead> <tr> <th>Type of operation</th> <th>DeviceID</th> </tr> </thead> <tbody> <tr> <td>Factory setting / CMPT = 2</td> <td>474</td> </tr> <tr> <td>Status_B High Resolution / CMPT = 3</td> <td>990</td> </tr> </tbody> </table>	Type of operation	DeviceID	Factory setting / CMPT = 2	474	Status_B High Resolution / CMPT = 3	990
Type of operation	DeviceID						
Factory setting / CMPT = 2	474						
Status_B High Resolution / CMPT = 3	990						
Note	For further information please see the IODD PDF file under "Downloads"						

Factory setting / CMPT = 2

Profiles	Smart Sensor: Process Data Variable; Device Identification, Device Diagnosis						
Min. process cycle time	[ms] 2.3						
IO-Link resolution pressure	[bar] 0.001						
IO-Link process data (cyclical)	<table border="1"> <thead> <tr> <th>function</th> <th>bit length</th> </tr> </thead> <tbody> <tr> <td>pressure</td> <td>14</td> </tr> <tr> <td>binary switching information</td> <td>2</td> </tr> </tbody> </table>	function	bit length	pressure	14	binary switching information	2
function	bit length						
pressure	14						
binary switching information	2						
IO-Link functions (acyclical)	application specific tag						

Status_B High Resolution / CMPT = 3

Profiles	Smart Sensor ED2: Digital Measuring Sensor (0x000A), Identification and Diagnosis (0x4000)
Min. process cycle time	[ms] 3

PN2296



Pressure sensor with display

PN-2,5-REN14-MFRKG/US/IV

IO-Link resolution pressure [bar]	0.001	
IO-Link process data (cyclical)	function	bit length
	pressure	16
	device status	4
	binary switching information	2
IO-Link functions (acyclical)	application specific tag	

Operating conditions

Ambient temperature [°C]	-25...80
Storage temperature [°C]	-40...100
Protection	IP 65; IP 67

Tests / approvals

EMC	DIN EN 61000-6-2	
	DIN EN 61000-6-3	
Shock resistance	DIN EN 60068-2-27	50 g (11 ms)
Vibration resistance	DIN EN 60068-2-6	20 g (10...2000 Hz)
MTTF [years]	138	
UL approval	UL Approval no.	J012
Pressure Equipment Directive	Sound engineering practice; can be used for group 2 fluids; group 1 fluids on request	

Mechanical data

Weight [g]	222.5	
Materials	stainless steel (1.4404 / 316L); PBT+PC-GF30; PBT-GF20; PC	
Materials (wetted parts)	stainless steel (1.4404 / 316L); Al ₂ O ₃ (96%; ceramics); FKM	
Min. pressure cycles	100 million	
Tightening torque [Nm]	> 50; (depends on lubrication, seal and pressure rating)	
Process connection	threaded connection 1/4" NPT internal thread	
Restrictor element integrated	no (can be retrofitted)	

Displays / operating elements

Display	Display unit	3 x LED, green (bar, psi, kPa)
	switching status	2 x LED, yellow
	measured values	alphanumeric display, red/green 4-digit

Remarks

Pack quantity	1 pcs.
---------------	--------

Electrical connection

Connector: 1 x M12; coding: A; Contacts: gold-plated



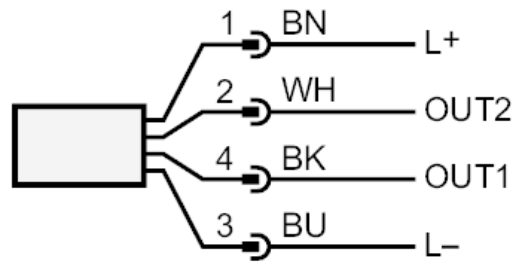
PN2296



Pressure sensor with display

PN-2,5-REN14-MFRKG/US/IV

Connection



OUT1	switching output
	IO-Link
OUT2	switching output
	analogue output
	Core colours :
BK =	black
BN =	brown
BU =	blue
WH =	white