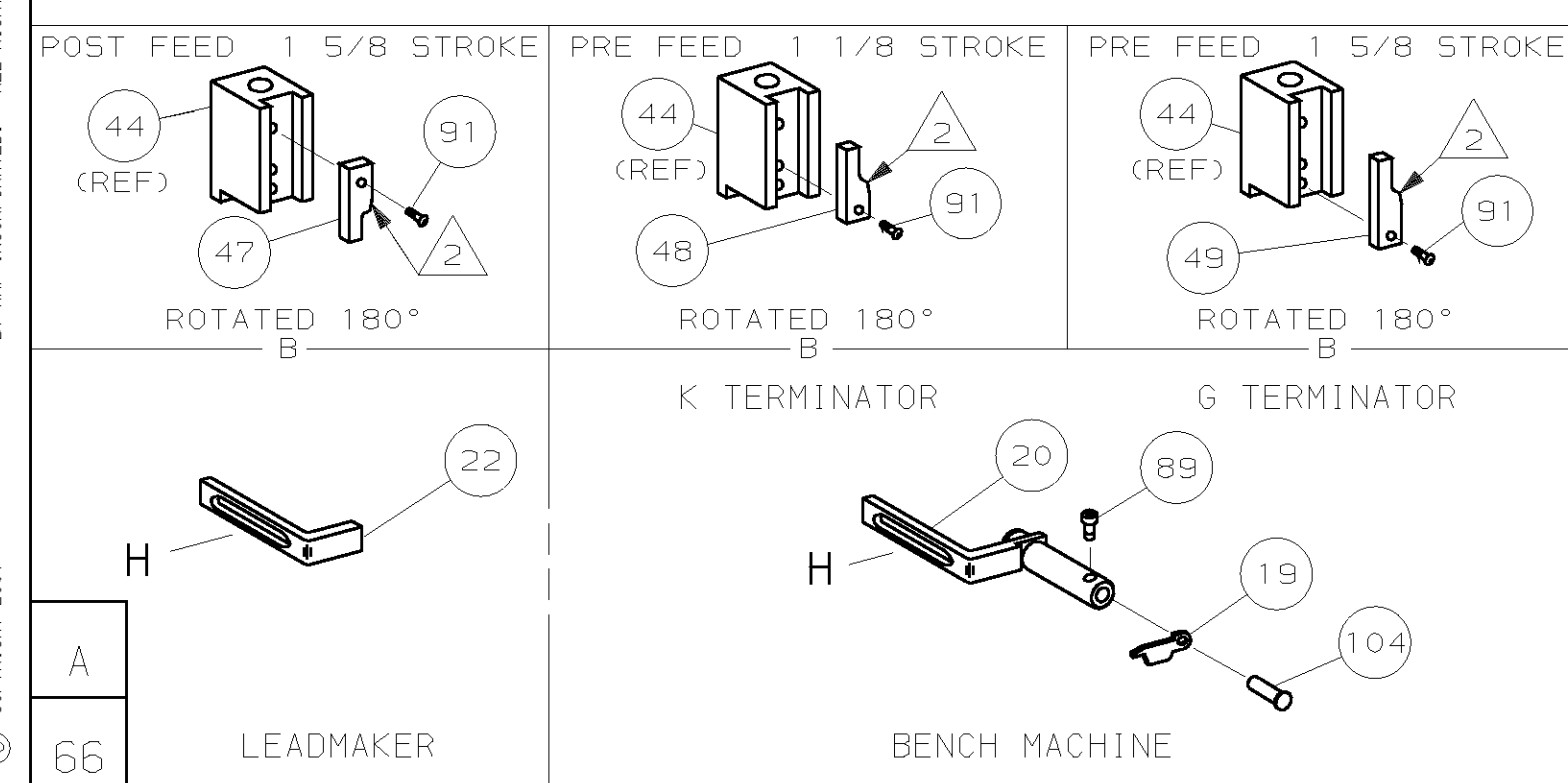
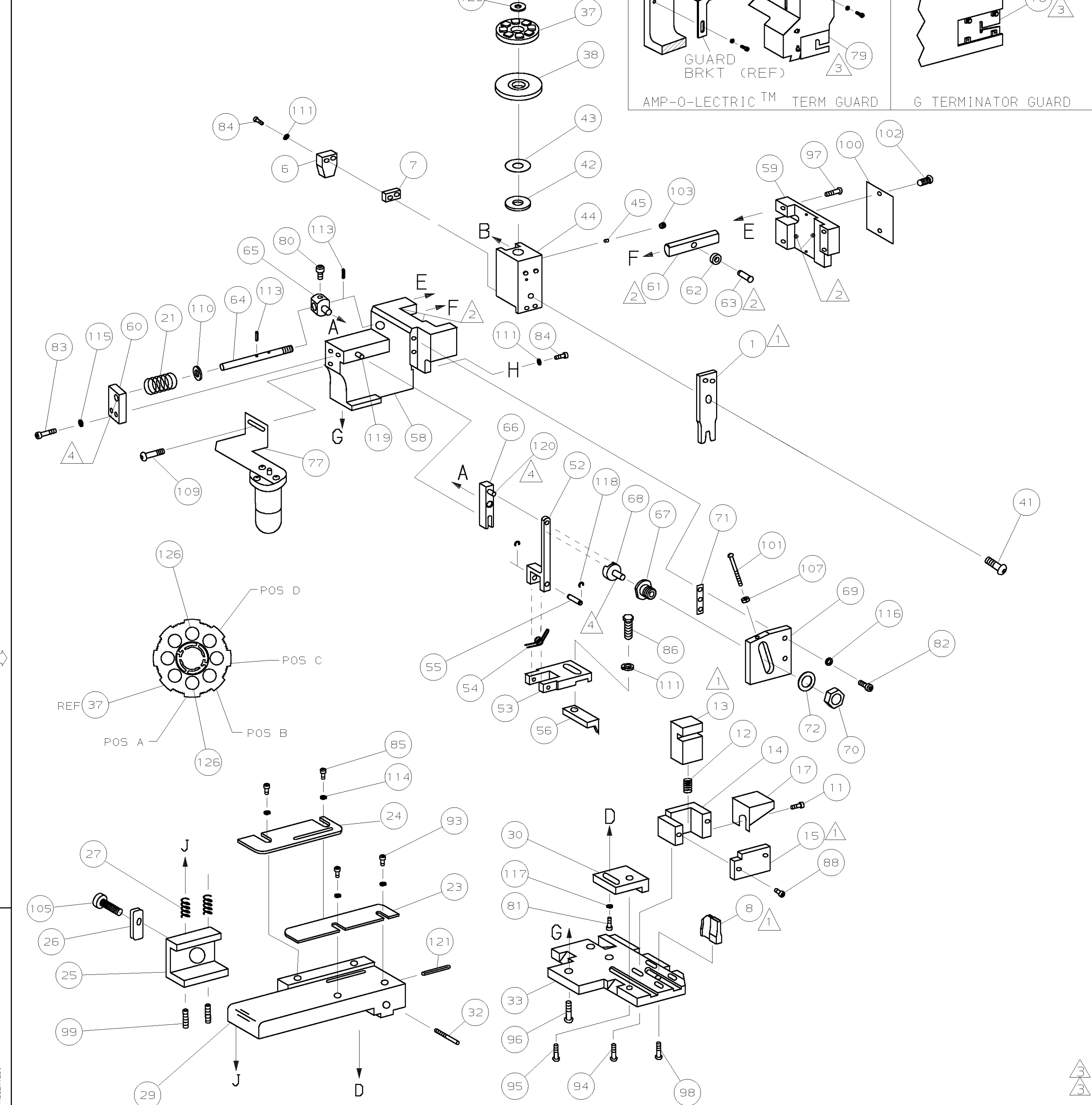


PART NUMBER	REV	FIRST USED
1385526-1	A	122500-1
1385526-2	A	565435-5
1385526-3	A	354500-1



- ▲ RECOMMENDED SPARE PARTS.
- ▲ GREASE LIGHTLY.
- ▲ GUARD MUST BE IN PLACE WHEN OPERATING APPLICATOR IN A BENCH MACHINE.
- ▲ LUBRICATE DAILY USING NO. 20 MACHINE OIL.
- 5. ITEMS WITH QTY OF REF SPECIFIED (EXCEPT ITEMS 78 AND 79) ARE USED ON ITEM 46.
- ▲ DO NOT STRIP INSULATION FROM WIRE; THIS APPLICATOR CRIMPS INSULATION ONLY.

TERMINAL NAME: TERMINAL, INSULATION PIERCING		CRIMPING DATA	
PAD LTR	CRIMP HEIGHT	INSULATION SIZE	
A	.063 ±.001 [1.60 ±0.03mm]	.040 MAX	
B	NOT	USED	
C	NOT	USED	
D	NOT	USED	
CRIMP WIRE	SIZE	TYPE	RANGE
-	.068 [1.73mm]	0	.040 MAX

QTY	REF	REF	REF	U/M	DWG SIZE	PART NO	DESCRIPTION	ITEM NO
1	1	1	1	-	A	22353-8	SCR, SHLD (.187x.25) D6 LEVER	105
1	1	1	1	-	A	21009-2	SCR, SKT 5ET (1/4-20x.25 LW) RAM	103
2	2	2	2	-	A	21017-2	SCR, DRIVE (#2x.19) ID PLATE	102
REF	REF	REF	REF	-	A	6-23715-5	SCR, PAN HD (6-32x1.50) FEED ADJ	101
1	1	1	1	-	B	461264-1	PLATE, IDENTIFICATION	100
2	2	2	2	-	A	5-21006-6	SCR, SET (10-32x.75) DRAG	99
1	1	1	1	-	A	22733-8	SCR, BHC (8-32x.38 LW) ANVIL	98
REF	REF	REF	REF	-	A	2-21002-9	SCR, BHC (10-32x.75) CAP	97
REF	REF	REF	REF	-	A	2-22733-8	SCR, BHC (1/4-20x.62) HOUSING	96
REF	REF	REF	REF	-	A	2-21002-7	SCR, BHC (10-32x.50) 56 ADJ BLOCK	95
4	4	4	4	-	A	2-21002-2	SCR, BHC (8-32x.50) TERM H DWN	94
2	2	2	2	-	A	1-21002-3	SCR, BHC (4-40x.25) F ST GUIDE	93
1	1	1	1	-	A	1-21002-7	SCR, BHC (6-32x.38) CAM	91
1	1	1	1	-	A	2-22603-0	SCR, HEX HD (8-32x.31) FEED FINGER	86
2	2	2	2	-	A	1-21000-3	SCR, SHC (4-40x.25) R ST GUIDE	85
3	3	3	3	-	A	2-21000-8	SCR, SHC (8-32x.62) STRIPPER	84
REF	REF	REF	REF	-	A	3-21000-7	SCR, SHC (10-32x.75) FEED ROD GD	83
REF	REF	REF	REF	-	A	3-21000-6	SCR, SHC (10-32x.62) FD ADJ BLK	82
1	1	1	1	-	A	3-21000-4	SCR, SHC (10-32x.38) 56 ADJ BL	81
REF	REF	REF	REF	-	A	3-21000-4	SCR, SHC (10-32x.38) PIVOT BLK	80
-	REF	-	-	-	B	455749-1	GUARD, WINDOW	79
REF	-	-	-	-	B	679532-1	INSERT, GUARD	78
-	1	-	-	-	C	1-465184-0	LUBRICATOR ASSY	77
1	1	1	1	-	A	690603-1		75
1	1	1	1	-	A	690603-1		74
REF	REF	REF	REF	-	A	458109-1	WASHER, SPECIAL	72
REF	REF	REF	REF	-	A	690517-1	SPACER	71

QTY	REF	REF	REF	U/M	DWG SIZE	PART NO	DESCRIPTION	ITEM NO
-1	REF	REF	REF	-	B	22594-8	NUT, HEX (1/2-20)	70
-2	REF	REF	REF	-	B	240628-1	PLATE, ADJUSTMENT	69
-3	REF	REF	REF	-	B	240626-1	SHAFT, PIVOT	68
REF	REF	REF	REF	-	B	240633-1	BUSHING	67
REF	REF	REF	REF	-	A	455680-1	LEVER, INTERMEDIATE	66
REF	REF	REF	REF	-	B	240629-1	BLOCK, PIVOT	65
REF	REF	REF	REF	-	A	240632-2	SCREW, ADJ FEED ROD	64
REF	REF	REF	REF	-	B	240659-3	PIN, CAM ROLLER	63
REF	REF	REF	REF	-	B	240658-1	ROLLER, CAM	62
REF	REF	REF	REF	-	B	454398-2	ROD, FEED	61
REF	REF	REF	REF	-	A	454178-1	GUIDE, FEED ROD	60
REF	REF	REF	REF	-	C	454220-1	CAP, RAM	59
REF	REF	REF	REF	-	D	454485-1	HOUSING	58
								57
1	1	1	1	-	B	694433-2	PAWL, FEED	56
REF	REF	REF	REF	-	B	240624-1	PIN, FEED FINGER	55
REF	REF	REF	REF	-	B	691499-1	SPRING, FEED FINGER	54
REF	REF	REF	REF	-	B	690541-1	HOLDER, FEED FINGER	53
REF	REF	REF	REF	-	A	455679-1	LEVER, TERMINAL FEED ARM	52
								51
								50
1	-	-	-	-	B	690602-6	CAM, PRE-FEED 1 5/8 ST	49
-	1	-	-	-	B	690602-5	CAM, PRE-FEED 1 1/8 ST	48
-	-	1	-	-	B	690501-4	CAM, POST-FEED 1 5/8 ST	47
1	1	1	1	-	B	459456-1	APPLICATOR, BASIC (SUBASSY)	46
1	1	1	1	-	A	690191-1	PLUG, NYLON	45
1	1	1	1	-	C	455673-1	RAM	44
1	1	1	1	-	A	690125-1	WASHER, LAMINATED	43
1	1	1	1	-	A	690124-1	WASHER, RAM	42
1	1	1	1	-	A	7-21002-9	BOLT, CRIMPER (5/16x1.00)	41
								40
								39
1	1	1	1	-	C	690223-1	SPACER, DISC, INSULATION	38
1	1	1	1	-	D	354777-1	WIRE DISC, PLASTIC	37
1	1	1	1	-	A	22480-5	WASHER, SPRING	36
1	1	1	1	-	B	690212-1	POST, RAM	35
								34
REF	REF	REF	REF	-	D	455675-1	PLATE, BASE	33
1	1	1	1	-	D	690432-3	SCREW, ADJUSTMENT	32
								31
REF	REF	REF	REF	-	B	455689-1	BLOCK, STRIP GUIDE ADJ	30
1	1	1	1	-	C	1-844048-9	PLATE, STRIP GUIDE	29
								28
2	2	2	2	-	A	1-22284-0	SPRING, DRAG	27
1	1	1	1	-	B	240793-1	LEVER, DRAG RELEASE	26
1	1	1	1	-	B	240792-1	DRAG, TERMINAL	25
1	1	1	1	-	D	690438-1	GUIDE, STRIP (REAR)	24
1	1	1	1	-	A	1-189124-3	GUIDE, STRIP (FRONT)	23
1	1	1	1	-	B	690472-2	STRIPPER	22
REF	REF	REF	REF	-	A	4-22284-9	SPRING, FEED RETURN	21
								20
								19
								18
1	1	1	1	-	A	691668-1	GUARD, CHIP (REAR)	17
								16
▲	1	1	1	-	B	1-690464-1	PLATE, SHEAR (REAR)	15
▲	1	1	1	-	B	690462-1	HOLDER, SHEAR (REAR)	14
▲	1	1	1	-	C	690463-2	SHEAR, FLOAT (REAR)	13
1	1	1	1	-	A	5-22280-0	SPRING, SHEAR	12
1	1	1	1	-	B	690461-1	STOP, SHEAR	11
								10
								9
▲	1	1	1	-	C	8-805887-1	ANVIL	8
1	1	1	1	-	C	3-240641-5	SPACER, DEPRESSOR (REAR)	7
1	1	1	1	-	A	690468-1	DEPRESSOR, SHEAR (REAR)	6
								5
								4
								3
								2
▲	1	1	1	-	C	4-459492-9	CRIMPER, WIRE	1

QTY REOD PER ASSY PARTS LIST

DIMENSIONS IN INCHES. DO NOT SCALE PRINT. TOLERANCES UNLESS OTHERWISE SPECIFIED:

DR	B.HIGMAN	26DEC02	APP	T.ELBIN	26DEC02
CHK	C.ERISMAN	26DEC02	REL		

NAME: SIDE FEED HDM APPLICATOR MACHINE REF: MINI APPL

SCALE: - DWG NO: 1385526 SHEET: 1 OF 1 REV: A1

CUSTOMER AND ASSEMBLY DRAWING

THIS DRAWING IS A CONTROLLED DOCUMENT.

THIS DRAWING IS UNCLASSIFIED  
DATE: 11/07/2001  
BY: AMP INCORPORATED. ALL RIGHTS RESERVED.  
AMP 1756 REV 3-92

1385526