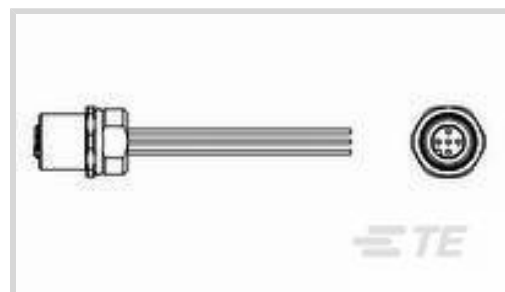




Cable Assemblies > Copper Cable Assemblies > M8/M12 Cable Assemblies

M8/M12 Application Type: **Sensor/Actuator**Number of Positions: **4**Connector & Keying Code: **A**Connector Type (End A): **M12 Socket**Cable Assembly Type: **M12 Pigtail**

Features

Product Type Features

Connector Type (End A)	M12 Socket
Cable Assembly Type	M12 Pigtail

Configuration Features

Number of Positions	4
---------------------	---

Electrical Characteristics

Operating Voltage	250 VAC
-------------------	---------

Body Features

Connector Color (End A)	Blue
Wire Color (Base)	Brown, White, Blue, Black
Connector & Keying Code	A

Contact Features

Contact Current Rating (Max)	4 A
------------------------------	-----

Mechanical Attachment

Thread Size	M12
Connector Orientation (End A)	Straight

Housing Features

Housing Material	Plastic
------------------	---------

Dimensions



Outside Cable Diameter	3 mm [.188 in]
------------------------	----------------

Wire Size	.326 mm ²
-----------	----------------------

Usage Conditions

Operating Temperature Range	-40 – 80 °C [-40 – 176 °F]
-----------------------------	----------------------------

Operation/Application

M8/M12 Application Type	Sensor/Actuator
-------------------------	-----------------

Shielded	No
----------	----

Packaging Features

Packaging Method	Box
------------------	-----

Other

Field Serviceable	Yes
-------------------	-----

Cable Assembly Length	.2 m
-----------------------	------

Cable Assembly Configuration	Single Ended
------------------------------	--------------

Product Compliance

[For compliance documentation, visit the product page on TE.com>](#)

EU RoHS Directive 2011/65/EU	Compliant
------------------------------	-----------

EU ELV Directive 2000/53/EC	Compliant
-----------------------------	-----------

China RoHS 2 Directive MIIT Order No 32, 2016	No Restricted Materials Above Threshold
---	---

EU REACH Regulation (EC) No. 1907/2006	Current ECHA Candidate List: JUNE 2023 (235) Candidate List Declared Against: JAN 2022 (223) Does not contain REACH SVHC
--	--

Halogen Content	Low Halogen - Br, Cl, F, I < 900 ppm per homogenous material. Also BFR/CFR/PVC Free
-----------------	---

Solder Process Capability	Not applicable for solder process capability
---------------------------	--

Product Compliance Disclaimer

This information is provided based on reasonable inquiry of our suppliers and represents our current actual knowledge based on the information they provided. This information is subject to change. The part numbers that TE has identified as EU RoHS compliant have a maximum concentration of 0.1% by weight in homogenous materials for lead, hexavalent chromium, mercury, PBB, PBDE, DBP, BBP, DEHP, DIBP, and 0.01% for cadmium, or qualify for an exemption to these limits as defined in the Annexes of Directive 2011/65/EU (RoHS2). Finished electrical and electronic equipment products will be CE marked as required by Directive 2011/65/EU. Components may not be CE marked. Additionally, the part numbers that TE has identified as EU ELV compliant have a maximum concentration of 0.1% by weight in homogenous materials for lead, hexavalent chromium, and mercury, and 0.01% for cadmium, or qualify for an exemption to these limits as defined in the Annexes of Directive 2000/53/EC (ELV). Regarding the REACH Regulation, the information TE provides on SVHC in articles for this part number is based on the latest European Chemicals Agency (ECHA) 'Guidance on

requirements for substances in articles' posted at this URL: <https://echa.europa.eu/guidance-documents/guidance-on-reach>

Compatible Parts



TE Part # T4111001041-000
RPC-M12-MS-4CON-PG7-MU

Customers Also Bought



TE Part #3-640440-7
07P MTA100 CONN ASSY 22AWG RED



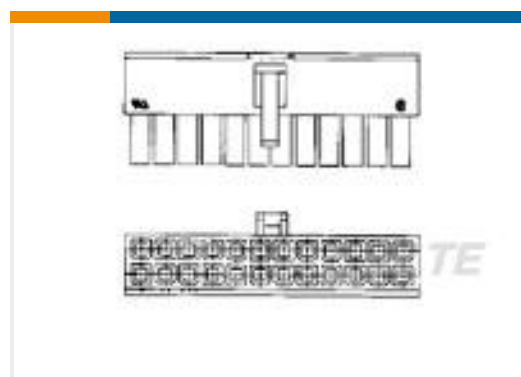
TE Part #2176157-4
TLM 2010 0.75W R018 5% 100PPM 4K RL



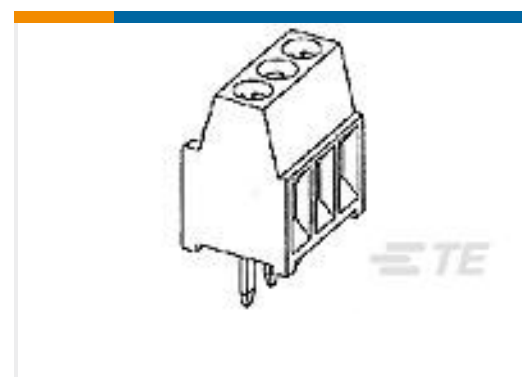
TE Part #T4161110008-005
RPC-M12-MS-8CON-PVC-5.0SH



TE Part #1-1123722-5
3.96 EP PLUG HSG 5P(NATURAL)




TE Part #1-1586765-0
10P RCPT VAL-U-LOK GW



TE Part #1546551-4
4P,STRAIGHT,SIDE ENTRY,3.5MM



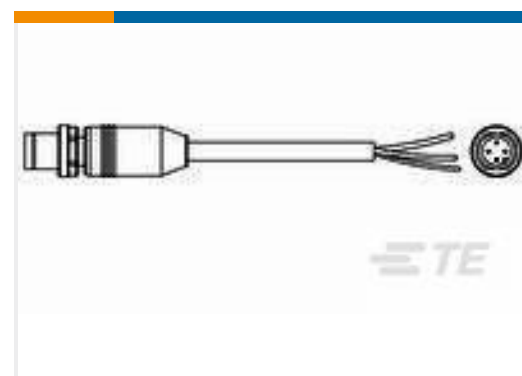
TE Part #2825209-1
VAL-U-LOK SKT 16AWG HCS SN LP



TE Part #3-2316366-8
AV19 SPL 3A POWER LOGO R&B 12V FL



TE Part #T4171110005-001
M12,REAR MOUNTING,FEMALE,A,5P, 0.2M WIRE



TE Part #2273044-1
M12 x 1.0 straight plug pigtl shld A

Documents

Product Drawings

M12 Female pnl Mld Rear Mt PG9 pigtl A

English



Datasheets & Catalog Pages

[M8 / M12 Connector System Catalog](#)

English

[M8 / M12 Connector System Catalog](#)

Japanese

Product Specifications

[Product Specification](#)

English