



Amphenol FCI

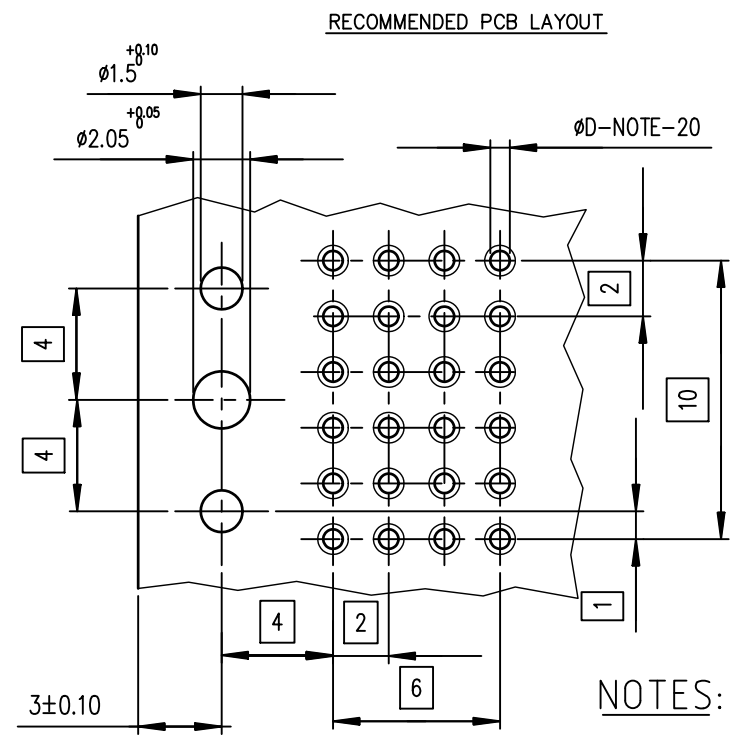
© 2016 AFCI

D

P/N: 85663-X01LF		CTS LOADING PATTERN				
DIM-P	1	2	3	4	5	6
ROW-D	5.75		5.75		5.75	
ROW-C		5.75		5.75		5.75
ROW-B	5.75		5.75		5.75	
ROW-A		5.75		5.75		5.75
DIM-D = 2.9±0.3		NUMBER OF CTS = 12				

P/N: 85663-X02LF		CTS LOADING PATTERN				
DIM-P	1	2	3	4	5	6
ROW-D	5.00	5.00			5.00	5.00
ROW-C	5.00					5.00
ROW-B	5.00		5.00	5.00		5.00
ROW-A	5.00		5.00	5.00		5.00
DIM-D = 2.9±0.3		NUMBER OF CTS = 14				

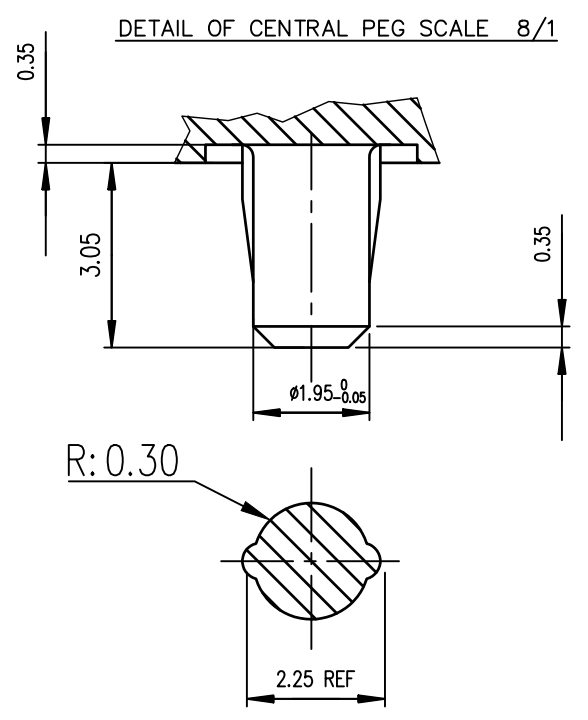
P/N: 85663-X03LF		CTS LOADING PATTERN				
DIM-P	1	2	3	4	5	6
ROW-D	5.00		5.00		5.00	
ROW-C		5.00		5.00		5.00
ROW-B	5.00		5.00		5.00	
ROW-A		5.00		5.00		5.00
DIM-D = 2.9±0.3		NUMBER OF CTS = 12				



NOTE-20: PTH DIMENSIONS - ϕD
 - DRILL DIAMETER = 0.85 REF
 - SEE Product spec : GS-12-446

NOTES:

- MATERIAL : BODY : LCP UL94-V0
: CONTACT : COPPER ALLOY.
- FOR PLATING PERFORMANCE REFER DRAWING # 10159408 Δ
- GENERAL CHARACTERISTICS ACCORDING TO GS-12-4467).
- ONE CENTER PEG FOR HOLD DOWN FORCE.
- NO CODING RECESS FOR EXTENDED KEYS.
- PLATING ON MATING PART : SEE PROD SPEC GS-12-446.
- CENTRAL WALL WITH END REAR SUPPORT.
- THIS PRODUCT MEETS EUROPEAN UNION DIRECTIVES AND OTHER COUNTRY REGULATIONS AS DESCRIBED IN GS-47- 0004
- IF SUFFIX "P" IS ADDED IN P/N PACKAGING IS IN TRAYS BUT CONNECTOR MARKING IS WITHOUT "P"
EXAMPLE:85663-1xxPLF ,MARKING 85663-1xxLF
- Δ SYMBOL WILL BE NEXT TO ANY DIMENSION, VIEW, OR NOTE WHICH HAS BEEN MODIFIED WITH THE CURRENT DRAWING REVISION.



OTHERS INFORMATIONS,SEE DRW 85663-1

mat'l. code		surface		tolerance		projection		product family	
		ISO 1302		ISO 406 ISO 1101				METRAL	
ltr		ecn no		dr		date		title	
H		LS06-0114		LGO		2006-09-11		METRAL RA HDR STB CONVERG	
J		LS07-0134		MLE		2007-05-14		NB 4x6-MODULE- SPECIAL LOADING	
K		ELX-I-38655		MINI		2020-10-16			
		dr		CHAMPION		1999-01-25		dwg no	
		enr		ARUN		2020-10-16		sheet 2 of 2	
		chr		ALEX BABU		2020-10-16		size	
		appd		SANUJ		2020-10-16		A3	
sheet index		revision		K		K		type	
		sheet		1		2		Product Customer Drawing	