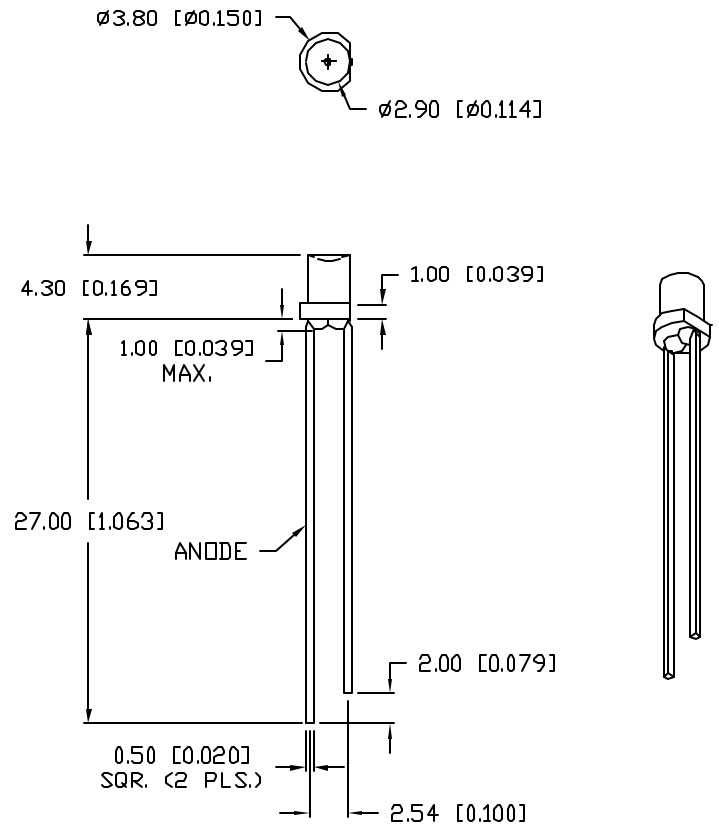


UNCONTROLLED DOCUMENT

|                |                                     |         |
|----------------|-------------------------------------|---------|
| PART NUMBER    |                                     | REV.    |
| SSL-LX304F4ITD |                                     | A       |
| REV.           | E.C.N. NUMBER AND REVISION COMMENTS | DATE    |
| A              | E.C.N. #10BRDR. & REDRAWN.          | 4.11.01 |



ELECTRO-OPTICAL CHARACTERISTICS  $T_A=25^\circ\text{C}$   $I_f=20\text{mA}$

| PARAMETER          | MIN                   | TYP | MAX | UNITS    | TEST COND            |
|--------------------|-----------------------|-----|-----|----------|----------------------|
| PEAK WAVELENGTH    |                       | 635 |     | nm       |                      |
| FORWARD VOLTAGE    |                       | 2.0 | 2.5 | $V_f$    |                      |
| REVERSE VOLTAGE    | 5.0                   |     |     | $V_r$    | $I_r=100\mu\text{A}$ |
| AXIAL INTENSITY    |                       | 15  |     | med      | $I_f=20\text{mA}$    |
| VIEWING ANGLE      |                       | 130 |     | 2x theta |                      |
| EMITTED COLOR:     | RED                   |     |     |          |                      |
| EPOXY LENS FINISH: | LIGHT RED TRANSPARENT |     |     |          |                      |

LIMITS OF SAFE OPERATION AT  $25^\circ\text{C}$

| PARAMETER                      | MAX        | UNITS                |
|--------------------------------|------------|----------------------|
| PEAK FORWARD CURRENT*          | 150        | mA                   |
| STEADY CURRENT                 | 30         | mA                   |
| POWER DISSIPATION              | 105        | mW                   |
| DERATE FROM $25^\circ\text{C}$ | -1.2       | mW/ $^\circ\text{C}$ |
| OPERATING, STORAGE TEMP.       | -40 TO +85 | $^\circ\text{C}$     |
| SOLDERING TEMP.                | +260       | $^\circ\text{C}$     |
| 2.0mm FROM BODY                |            | 3 SEC. MAX           |

\*  $t < 10\mu\text{s}$

\*UNLESS OTHERWISE SPECIFIED TOLERANCES PER DECIMAL PRECISION ARE: X=±1 (±0.039), XX=±0.5 (±0.020), XXX=±0.25 (±0.010), XXXX=±0.127 (±0.005). LEAD SIZE=±0.05 (±0.002), LEAD LENGTH=±0.75 (±0.030). MIN= <sup>+0.00</sup> <sub>-0.00</sub> DECIMAL PRECISION MAX= <sup>+0.00</sup> <sub>-0.00</sub> DECIMAL PRECISION

UNCONTROLLED DOCUMENT

|  |                |
|--|----------------|
| REV.   | PART NUMBER    |
| A  | SSL-LX304F4ITD |
| T-3mm DIMPLE LENS, 635nm RED LED,<br>LIGHT RED TRANSPARENT LENS. |                |

**CONFIDENTIAL INFORMATION**  
 THE INFORMATION CONTAINED IN THIS DOCUMENT IS THE PROPERTY OF LUMEX INC. EXCEPT AS SPECIFICALLY AUTHORIZED IN WRITING BY LUMEX INC., THE HOLDER OF THIS DOCUMENT SHALL KEEP ALL INFORMATION CONTAINED HEREIN CONFIDENTIAL AND SHALL PROTECT SAME IN WHOLE OR IN PART FROM DISCLOSURE AND DISSEMINATION TO ALL THIRD PARTIES.

**RELIABILITY NOTE**  
 OUR MANY YEARS OF EXPERIENCE DATA ACCUMULATION INDICATE THAT SOLDER HEAT IS A MAJOR CAUSE OF EARLY AND FUTURE FAILURE. PLEASE PAY ATTENTION TO YOUR SOLDERING PROCESS.

290 E. HELEN ROAD  
 PALATINE, IL 60067-6976  
 PHONE: +1.847.359.2790  
 US WEB: www.lumex.com  
 TW WEB: www.lumex.com.tw

DRAWN BY: BC  
 CHECKED BY:  
 APPROVED BY:  
 DATE: 11.24.98  
 PAGE: 1 OF 1  
 SCALE: N/A