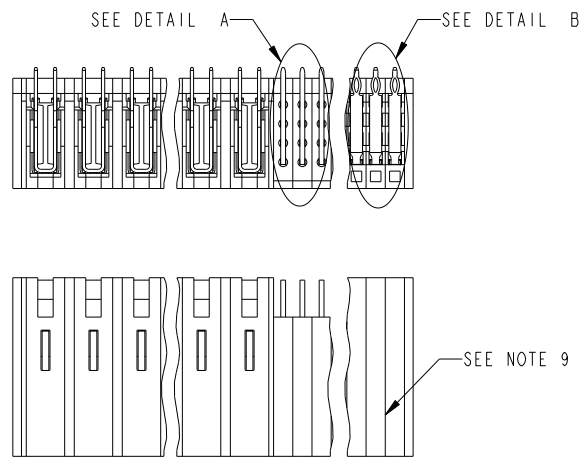
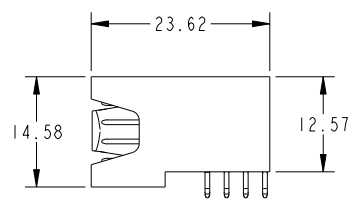
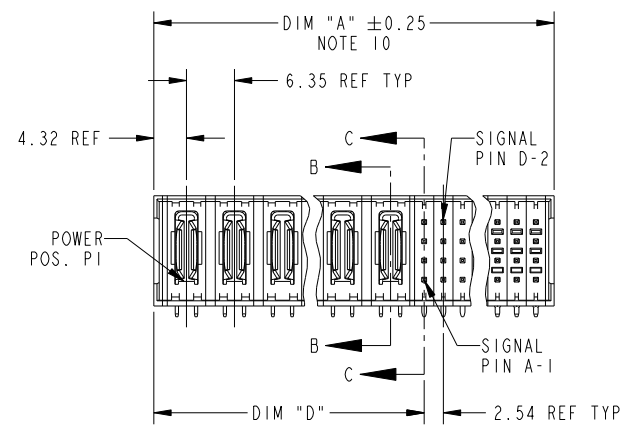


PRODUCT NUMBER
51726-ABBCCC00E0--
SEE NOTE 1



DETAIL A
SCALE 2:1
FOR SOLDER TO BOARD ONLY

DETAIL B
SCALE 2:1
FOR PRESS FIT ONLY



Copyright FCI.

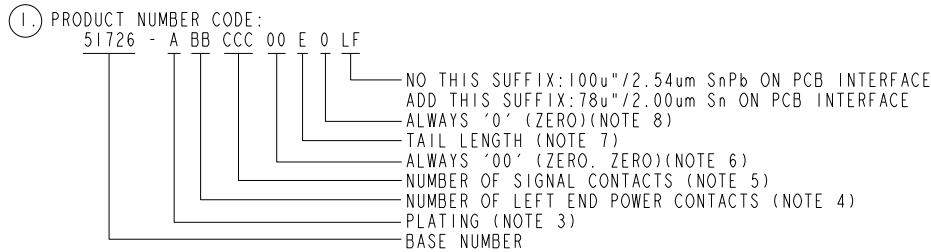
spec ref	*	dr	Jerome Chen	2008/09/11	projection 	MM ←→	size	A4	scale	1:1
tolerance std	TOLERANCES UNLESS OTHERWISE SPECIFIED	eng	Ruan MT	2015/09/30			ecn no	ELX-DG-21593-1		
ASME Y14.5		chr	Fancy Zhang	2015/09/30				rel level	Released	
surface	linear	appr	Pei-Ming Zheng	2015/09/30	product family	PwrBlade		rev		
ASME Y14.5		angular	0°	$\pm 2^\circ$	title	R/A HEADER W/O GUIDE PIN		51726	N	
					cat. no.	Product - Customer Drw		sheet 1 of 3		

ProjE File - REV C - 2009-06-09

PRODUCT NUMBER
51726-ABBCC00E0--
SEE NOTE 1

DIM	LENGTH FORMULAS (SEE NOTE 10)
DIM "A"	$6.35 \times BB + 2.54 \times (CCC/4) + 2.29$ (NOTE 10)
DIM "D"	$6.35 \times BB + 2.41$
DIM "F"	$6.35 \times BB + 2.54 \times (CCC/4) + 3.05$
DIM "G"	$6.35 \times BB - 0.64$

CONNECTOR NOTES



- ②. HOUSING MATERIAL: GLASS FILLED V-O HIGH TEMP THERMO PLASTIC.
 SIGNAL CONTACT MATERIAL: COPPER ALLOY
 POWER CONTACT MATERIAL: COPPER ALLOY
- ③. PLATING OPTION:
 1 = SEE PRINT 10064183 FOR PLATING SPEC OF 51726-1BBCC00E0; 51726-1BBCC00E0LF
- ④. LEFT END POWER CONTACTS, 01 TO 20 AVAILABLE.
 MAXIMUM OF 20 POWER CONTACTS PER CONNECTER
- ⑤. SIGNAL CONTACTS, 004 TO 148 AVAILABLE.
- ⑥. THIS PART IS NOT AVAILABLE WITH RIGHT SIDE POWER CONTACTS.
- ⚠ ⑦. TAIL LENGTH:
 A = 3.43 SOLDER TO BOARD
 B = 4.19 SOLDER TO BOARD
 C = 3.43 PRESS FIT
 D = 2.34 SOLDER TO BOARD

- ⑧. BOARD RETENTION IS NOT AVAILABLE WITH GUIDELESS ENDS.
 - ⑨. MANUFACTURE'S NAME, P/N, AND DATE CODE TO APPEAR ON THIS SURFACE.
 - ⑩. THE MAXIMUM OVERALL LENGTH (DIM A) OF A PART IS 203.2
 - 11. PRODUCT SPECIFICATION GS-12-149
 APPLICATION SPECIFICATION BUS-20-067
 - 12. REFERENCE 51697 FOR SELECT LOAD/FMLB WORKSHEET
- PCB NOTES:
- 13. ALL DIMENSIONS ARE BASIC UNLESS OTHERWISE SPECIFIED.
 - ⑭. ALL THROUGH HOLES ARE LOCATED WITH A TRUE POSITION OF 0.10
 - 15. ALL HOLE DIAMETERS ARE FINISHED HOLE SIZE.
 - ⑯. $\varnothing 1.151 \pm 0.025$ DRILLED HOLES PLATED WITH 0.008 MIN SnPb or Sn OVER 0.03 TO 0.08 Cu PLATING TO ACHIEVE A 1.02 ± 0.07 HOLE.
 - 17. ⚠ SYMBOL WILL BE NEXT TO ANY DIMENSION, VIEW, OR NOTE WHICH HAS BEEN MODIFIED WITH THE CURRENT DRAWING REVISION.
 - ⚠ ⑰. CONNECTOR KEEP OUT ZONE



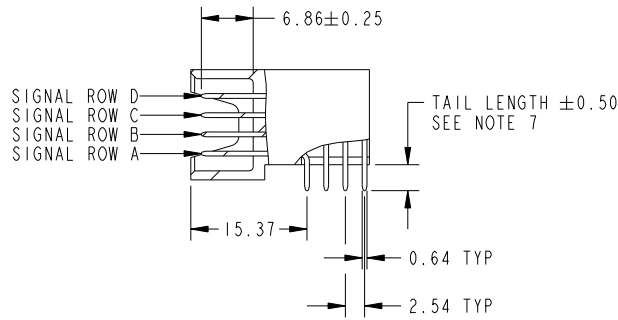
Copyright FCI.

dr	Jerome Chen	2008/09/11	projection 	MM 	size	A4	scale	1:1	
eng	Ruan MT	2015/09/30			ecn no	ELX-DG-21593-1			
chr	Fancy Zhang	2015/09/30			product family	PwrBlade	rel level	Released	
appr	Pei-Ming Zheng	2015/09/30	product family		PwrBlade	rel level	Released		
		title	R/A HEADER W/O GUIDE PIN		dwg no	51726		rev	N
www.fci.com		cat. no.	Product - Customer Drw		sheet		2 of 3		

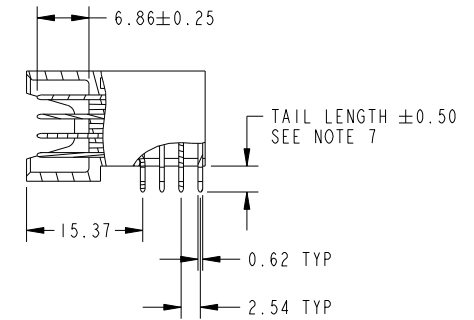
PRODUCT NUMBER

51726-ABBCCC00E0_..

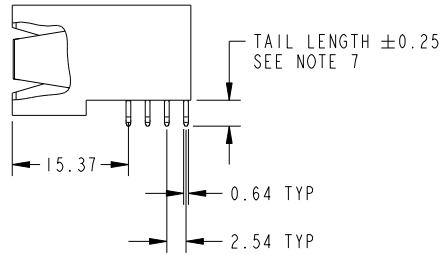
SEE NOTE 1



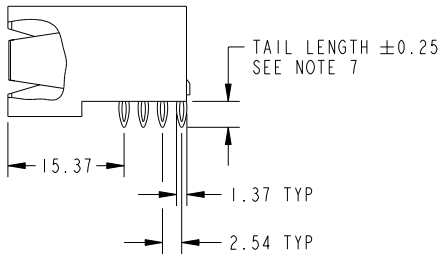
⚠ BROKEN-OUT SECTION C-C FOR SOLDER TO BOARD ONLY



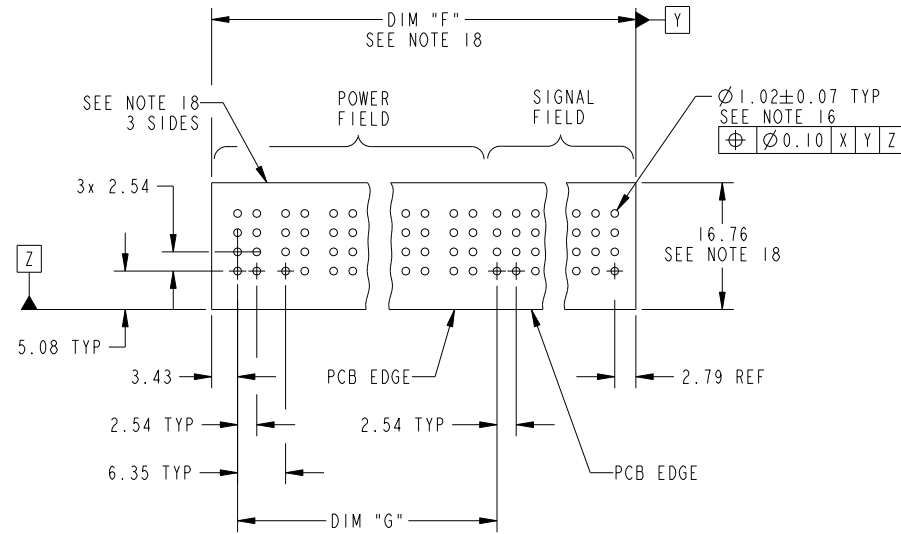
⚠ BROKEN-OUT SECTION C-C FOR PRESS FIT ONLY



⚠ BROKEN-OUT SECTION B-B FOR SOLDER TO BOARD ONLY



⚠ BROKEN-OUT SECTION B-B FOR PRESS FIT ONLY



RECOMMENDED PCB LAYOUT

dr	Jerome Chen	2008/09/11	projection 	MM 	size	A4	scale	1:1
eng	Ruan MT	2015/09/30			ecn no	ELX-DG-21593-1		
chr	Fancy Zhang	2015/09/30			rel level	Released		
appr	Pei-Ming Zheng	2015/09/30	product family	PwrBlade				
			title	R/A HEADER W/O GUIDE PIN		dwg no	51726	
www.fci.com			cat. no.	Product - Customer Drw		rev	N	
					sheet 3 of 3			



Copyright FCI.