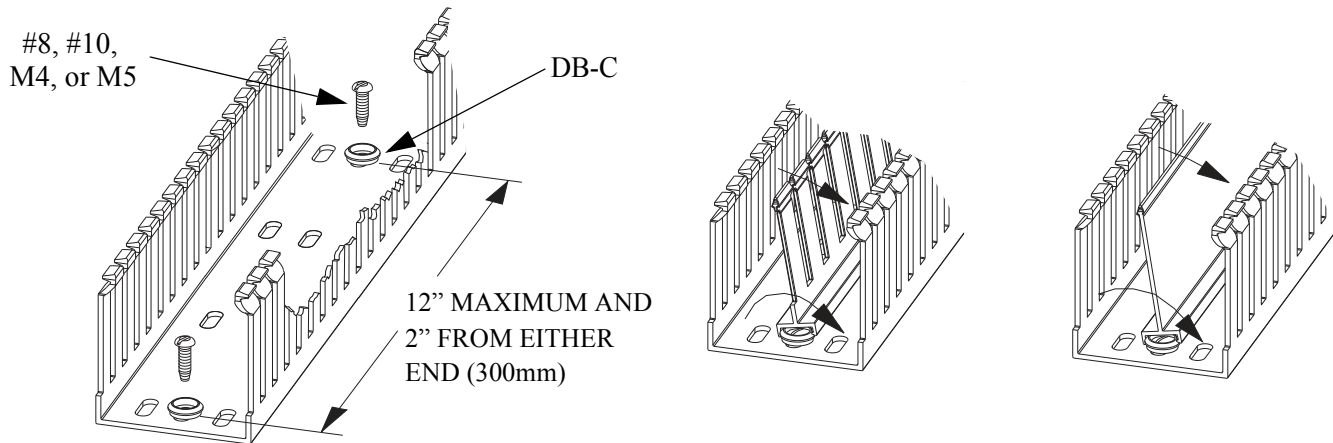
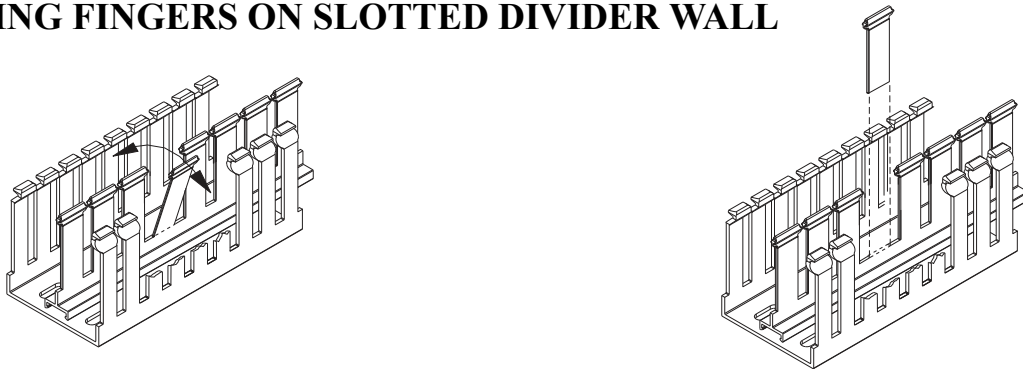


## INSTALLATION OF SOLID/SLOTTED DIVIDER WALL AND MOUNTING



## REMOVING FINGERS ON SLOTTED DIVIDER WALL



## REMOVING SECTIONS FROM SLOTTED DIVIDER WALL WITH DNT-100

