

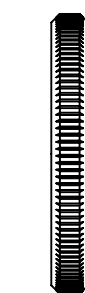
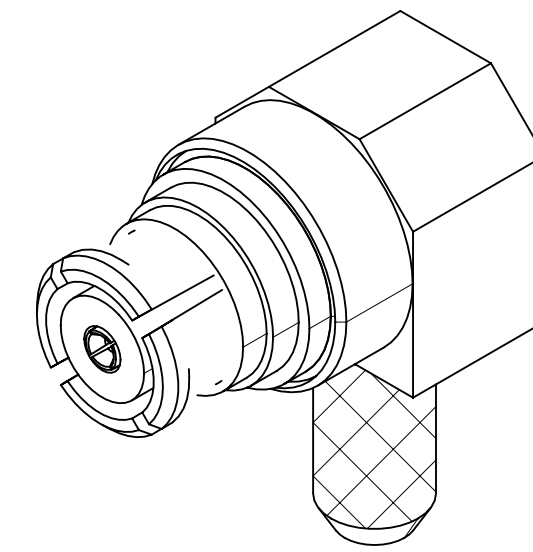
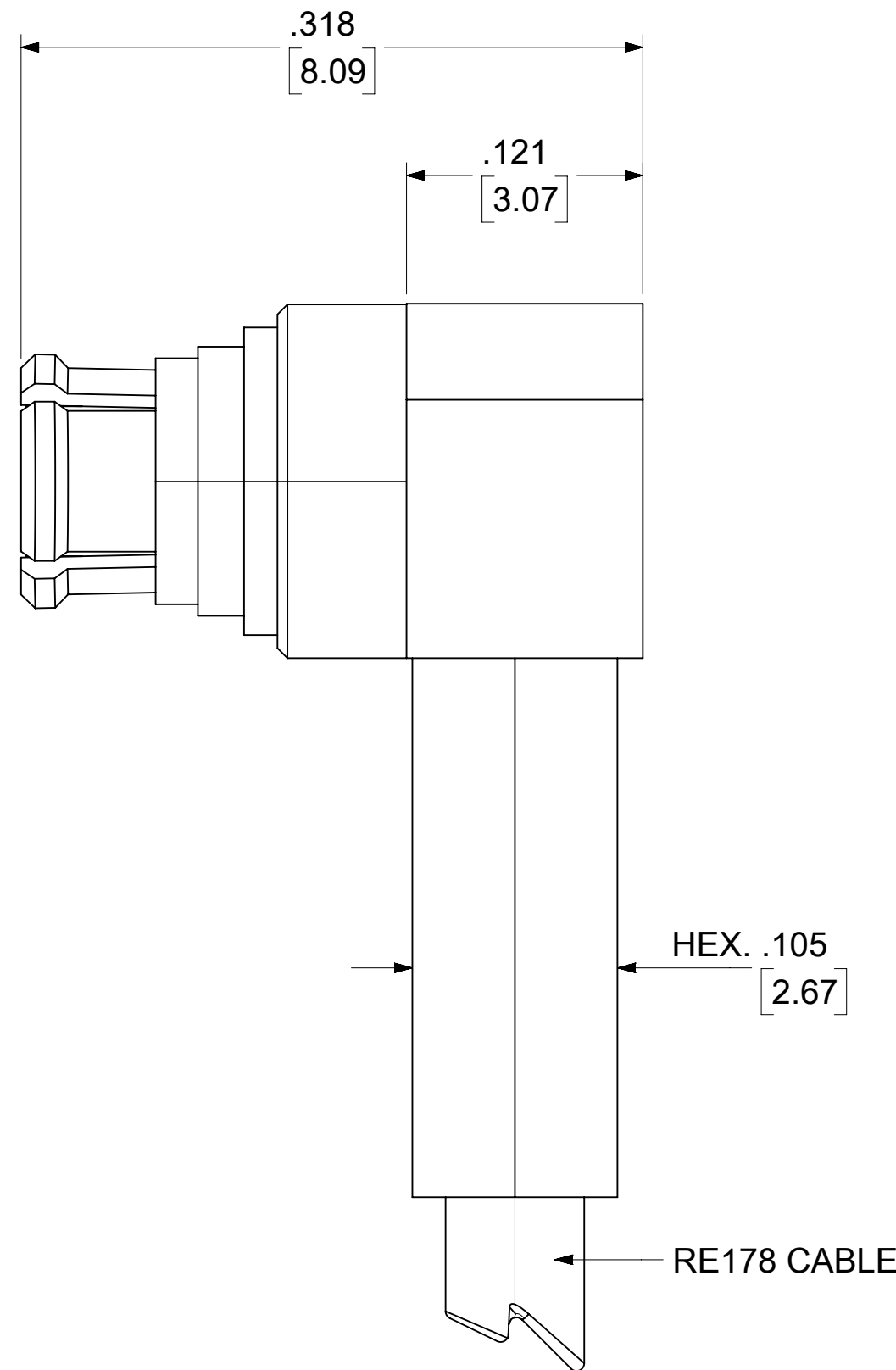
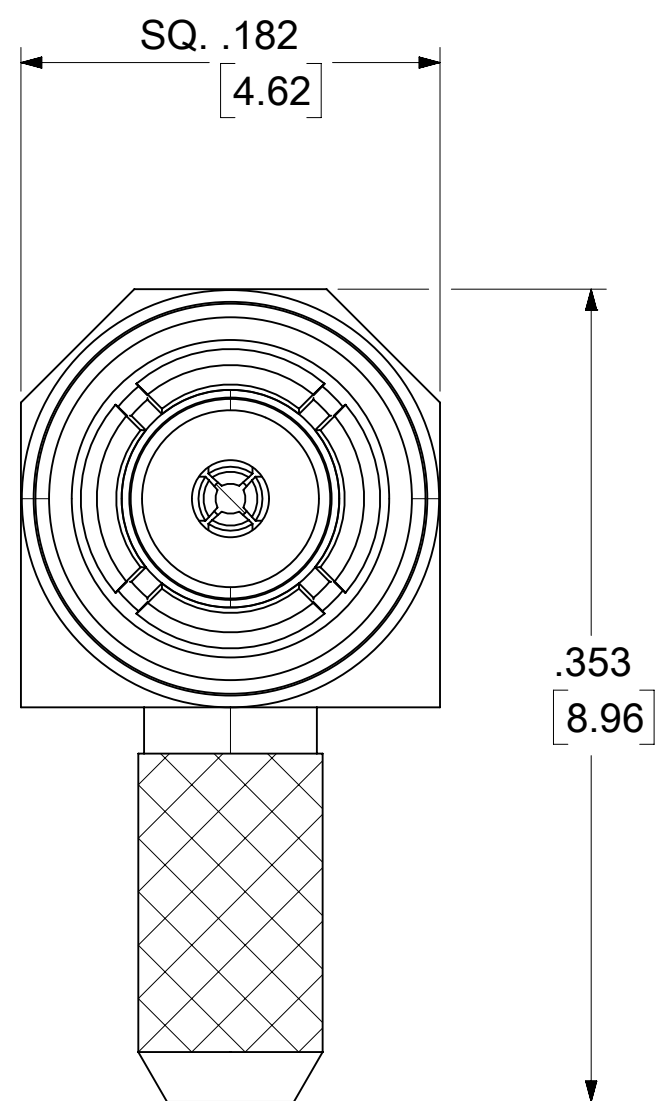
MATERIALS AND FINISHES

BODY, CRIMP TUBE BRASS
PLATED GOLD

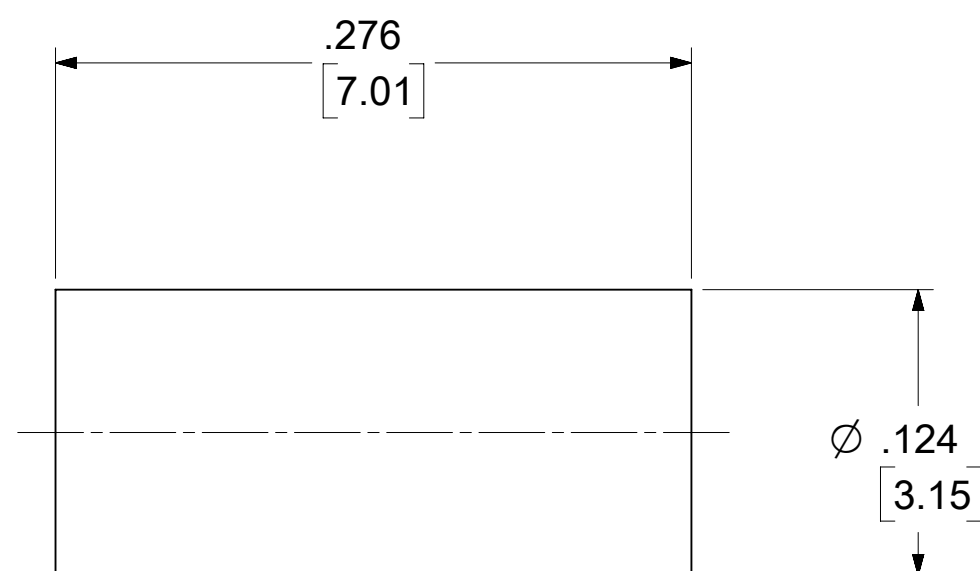
OUTER CONTACT BERYLLIUM COPPER
PLATED GOLD

CENTER CONTACT BERYLLIUM COPPER
PLATED GOLD

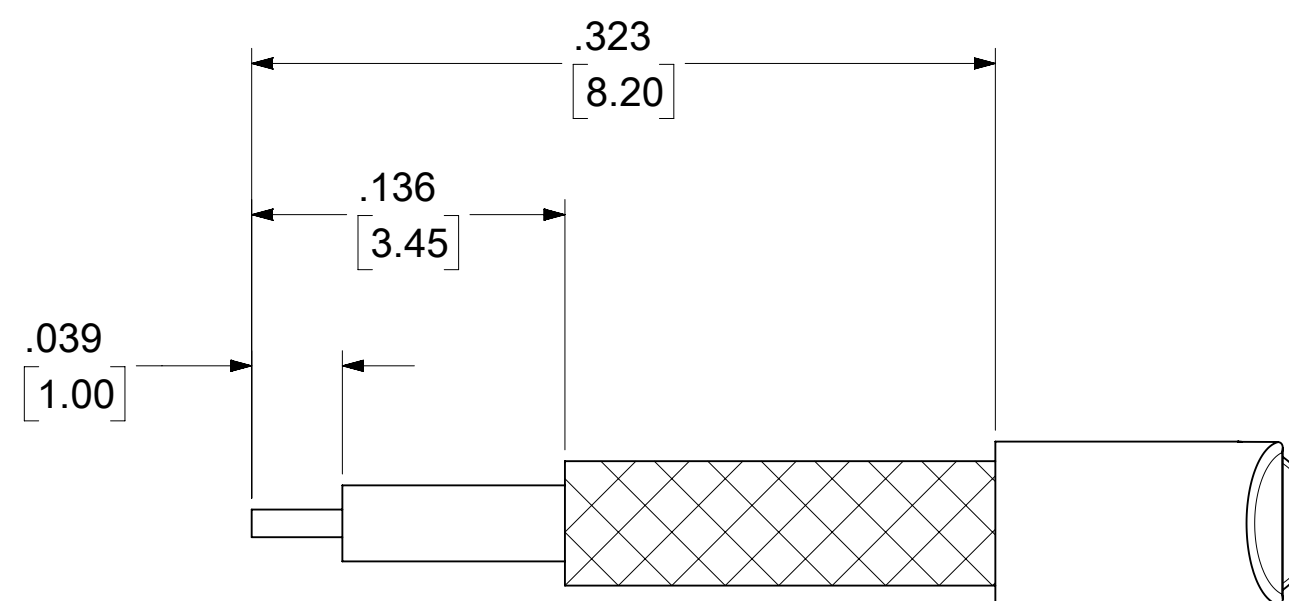
INSULATOR TEFLON



CAP



CRIMP TUBE



RECOMMENDED CABLE STRIP MIMENSION

LABEL FORMAT FOR
73406-0141

PART NUMBER: 73406-0140
ORDER NUMBER: 73406-0141
MOLEX
DATE: YYWW

73406-0141	73406-0140 ONE PER BAG	895420470
73406-0140	73406-0140 TRAY	895420040
PART NO.	DESCRIPTION	PACKING SPEC

MIL-STD-348A, FIG. 326.1	INTERFACE
SPECIFICATION	DESCRIPTION

FUNCTIONAL SYMBOLS	THIS DRAWING CONTAINS INFORMATION THAT IS PROPRIETARY TO MOLEX ELECTRONIC TECHNOLOGIES, LLC AND SHOULD NOT BE USED WITHOUT WRITTEN PERMISSION												
	THIS DRAWING CONTAINS INFORMATION THAT IS PROPRIETARY TO MOLEX ELECTRONIC TECHNOLOGIES, LLC AND SHOULD NOT BE USED WITHOUT WRITTEN PERMISSION	DIMENSION UNITS	SCALE	CURRENT REV DESC: ADD 73406-0141 PER EWR# 15321-C							molex		
FA = 0	INCH/MM	NTS	GENERAL TOLERANCES (UNLESS SPECIFIED)		EC NO: 718723					SMP JACK R/A FOR RG178, 50 OHMS SMP-JC/RA			
EA = 0			ANGULAR TOL ± 2.0°		4 PLACES ±		DRWN: ELIN 2022/08/22			PRODUCT CUSTOMER DRAWING			
EP = 0					3 PLACES ±		CHK'D: YCHENG 2022/08/30			DOCUMENT NUMBER			
						2 PLACES ±		APPR: YCHENG 2022/08/30			DOC TYPE DOC PART REVISION		
						1 PLACE ±		INITIAL REVISION:			SD-73406-014		
						0 PLACES ±		DRWN: MCHAN05 2009/07/14			PSD 001 C1		
						DRAFT WHERE APPLICABLE MUST REMAIN WITHIN DIMENSIONS		THIRD ANGLE PROJECTION		DRAWING		SERIES	
								C-SIZE		73406		MATERIAL NUMBER	
										GENERAL MARKET		SHEET NUMBER	
										SEE TABLE		1 OF 1	