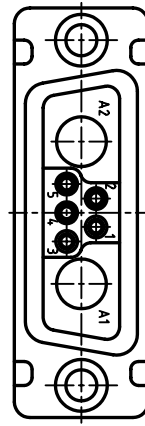
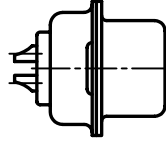
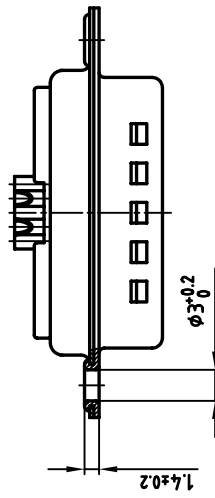
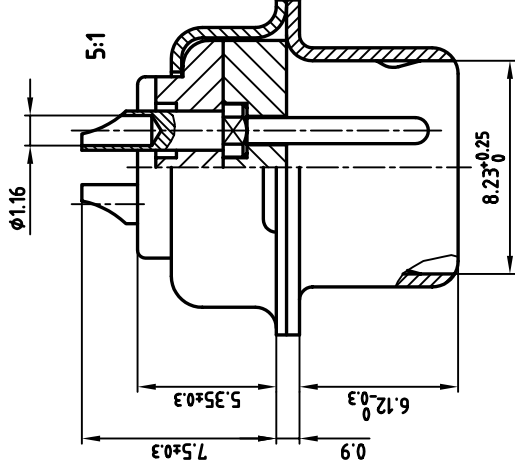
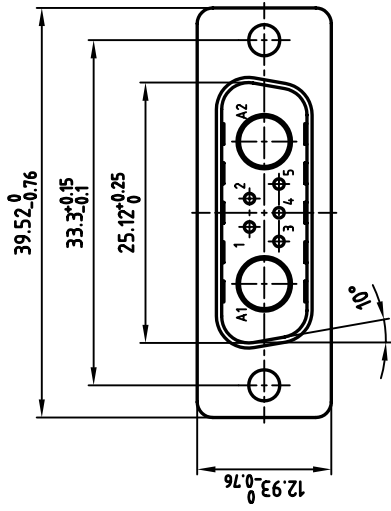


used for: D-SUB COMBINATION



NOTES:

1. METAL SHELLS: STEEL; TIN PLATED
2. INSULATORS: PBT GF, UL 94 V-0; GREEN
3. CONTACTS: COPPER ALLOY
4. PLATING: HARD GOLD OVER NICKEL



THIS DRAWING MAY NOT BE COPIED OR REPRODUCED IN ANY WAY, AND MAY NOT BE PASSED ON TO A THIRD PARTY WITHOUT WRITTEN PERMISSION.
 OWNERSHIP AND COPYRIGHT OF CONEC GMBH DO NOT ALTER CAD DRAWING BY HAND

rev.	description	date	name

tolerance	2:1 (5:1)
material	SEE NOTES
name	Barcinski
date	01.10.
drawn	01.10.
appd.	Mickenbecker
norm	
d-old	

scale:	2:1 (5:1)
material:	SEE NOTES
title:	D-SUB COMBINATION MALE 7W2P SOLDER CUP
dwg no:	CAD/ REL.13 DIN-A 3
sh: 1/1	13K11J4-A
product no:	3007W2PAM99A10X

