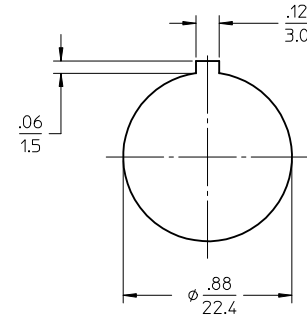
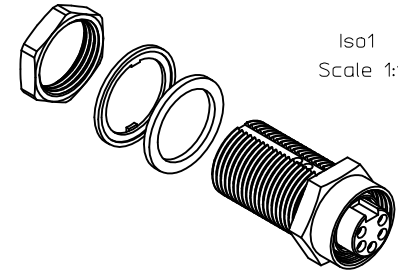


NOTES:

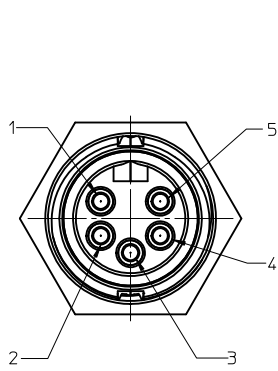
1. MATERIAL: SEE TABLE
2. FINISHES: SEE TABLE
3. PACKAGING: ASSEMBLY IS PACKED IN CLEAR POLY BAG WITH BARCODE LABEL ATTACHED TO OUTSIDE OF BAG
4. MATES WITH: MC 5 POLE CABLE ASSEMBLY
5. ELECTRICAL SPECIFICATIONS:  
 VOLTAGE RATING: 600V AC/DC  
 CURRENT RATING: BASED ON CABLE USED



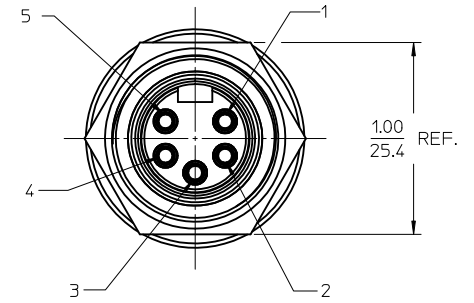
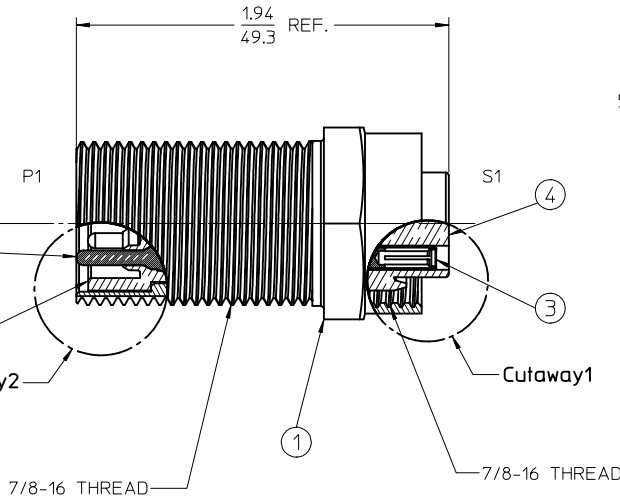
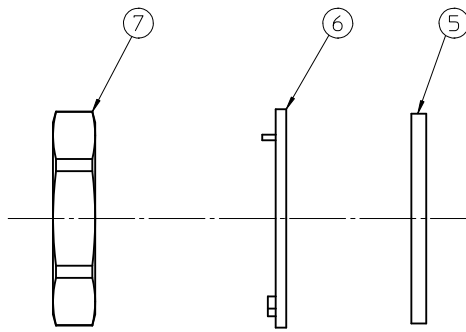
TYPICAL KNOCKOUT



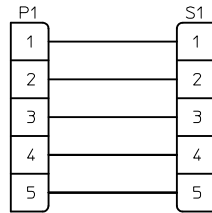
Iso1  
Scale 1:1



MALE FACE VIEW



FEMALE FACE VIEW



WIRING DIAGRAM

ITEM	QTY.	DESCRIPTION	MATERIAL	FINISH
7	1	HEXNUT, 7/8-16	BRASS	NICKEL PLATED
6	1	THRUST WASHER	NYLON	
5	1	GASKET SEAL	NEOPRENE	BLACK
4	1	FEMALE INSERT	TPE	GRAY
3	5	PIN/SOCKET CONTACT	Cu ALLOY	GOLD PLATED
2	2	MALE INSERT	TPE	GRAY
1	1	BULKHEAD RECEPTACLE SHELL	BRASS	NICKEL PLATED

RELEASED	EC NO: MNA2010-0417	DRWR:STONE 2010/01/21	CHKD:B.WOODMAN 2010/01/22	APPR:J.MURPHY 2010/01/25
REV	DESCRIPTION			
A				

QUALITY SYMBOLS

GENERAL TOLERANCES (UNLESS SPECIFIED)

	mm	INCH
4 PLACES	± .005	± .0005
3 PLACES	± .005	± .0005
2 PLACES	± .010	± .0010
1 PLACE	± .030	± .0010
ANGULAR ± 1/2°		

DRAFT WHERE APPLICABLE MUST REMAIN WITHIN DIMENSIONS

DIMENSION STYLE		SCALE	DESIGN UNITS	THIRD ANGLE PROJECTION
IN/MM		2:1	INCH	
DRAWN BY	DATE	TITLE		
R.STONE	2010/01/14	MC BULKHEAD PASS THRU RECEPTACLE, 5 POLE		
CHECKED BY	DATE	MATERIAL NO.		
B.WOODMAN	2010/01/15	848569103		
APPROVED BY	DATE	DOCUMENT NO.		
JFMURPHY	2010/01/22	SD-84856-011		
SIZE		SHEET NO.		
C		1 OF 1		

THIS DRAWING CONTAINS INFORMATION THAT IS PROPRIETARY TO MOLEX INCORPORATED AND SHOULD NOT BE USED WITHOUT WRITTEN PERMISSION