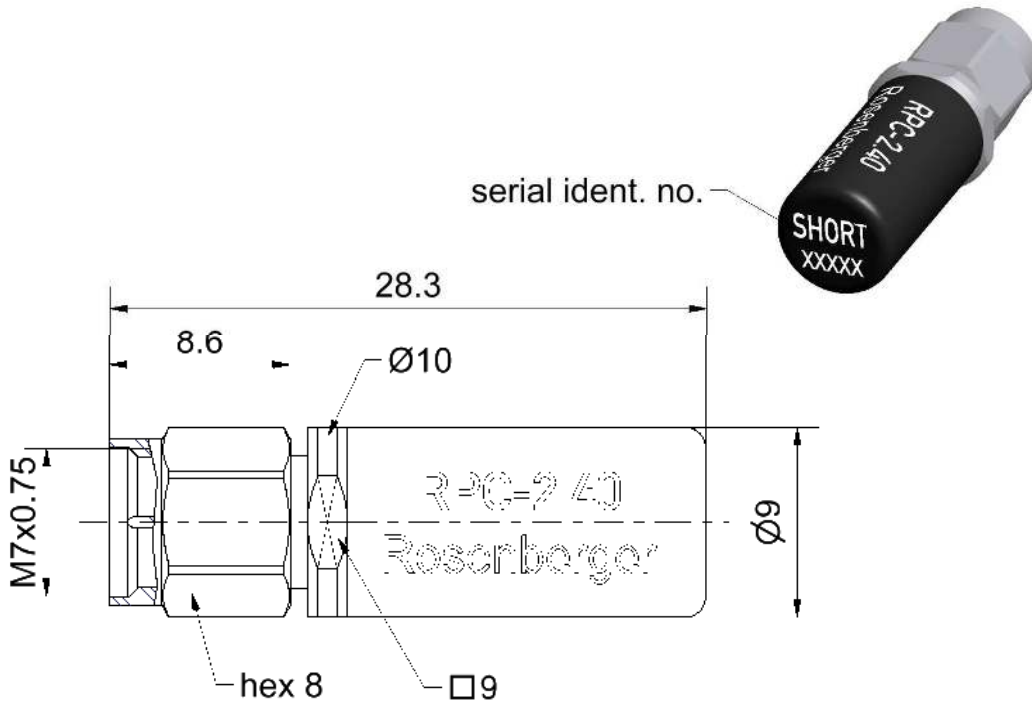


RPC-2.40

Short Circuit
Plug

09S12S-000S3



All dimensions are in mm; tolerances according to ISO 2768 m-H

Interface

According to IEC 61169-40
Mechanically compatible with RPC-1.85

Documents

Application note AN001 "Calibration Services"

Material and plating

Connector parts

	Material	Plating
Center conductor	CuBe	Gold, min. 1.27 µm, over nickel
Outer conductor	Stainless steel	Passivated
Coupling nut	Stainless steel	Passivated

Dieses Dokument ist urheberrechtlich geschützt • This document is protected by copyright • Rosenberger Hochfrequenztechnik GmbH & Co. KG

RF_35/05:10/6.0

Electrical data

Frequency range	DC to 50 GHz
Return loss	≤ 0.15 dB, DC to 4 GHz
	≤ 0.20 dB, 4 GHz to 26.5 GHz
	≤ 0.25 dB, 26.5 GHz to 50 GHz
Error from nominal phase ¹	≤ 1.5°, DC to 4 GHz
	≤ 3.0°, 4 GHz to 26.5 GHz
	≤ 4.5°, 26.5 GHz to 50 GHz

¹ The nominal phase is defined by the Offset Delay, the Offset Loss and the Short Inductance

Mechanical data

Mating cycles	≥ 500
Maximum torque	1.65 Nm
Recommended torque	0.90 Nm
Gauge	0.00 mm to 0.03 mm

General standard definitions

For proper operation the vector network analyzer (VNA) needs a model describing the electrical behaviour of this calibration standard. The different models, units, and terms used will depend on the VNA type and they will have to be entered into the VNA. All values are based on typical geometry and plating.

Offset Z_o / Impedance / Z_o	50 Ω
Offset Delay	23.3500 ps
Length (electrical) / Offset Length	7.00 mm
Offset Loss	3.50 G Ω /s
Loss	0.0142 dB/ $\sqrt{\text{GHz}}$
Short Inductance ²	

² Short Inductance are determined individually for each Short Circuit and are documented in a Calibration Certificate.

Environmental data

Operating temperature range ³	+20 °C to +26 °C
Rated temperature range of use ⁴	0 °C to +50 °C
Storage temperature range	-40 °C to +85 °C

RoHS compliant

³ Temperature range over which these specifications are valid.

⁴ This range is underneath and above the operating temperature range, within the Short Circuit is fully functional and could be used without damage.

RPC-2.40

Short Circuit Plug

09S12S-000S3

Declaration of calibration options

Factory Calibration

Standard delivery for this calibration standard includes a Factory Calibration. The Calibration Certificate issued reports individual calibration results, traceable to national / international standards. Model based standard definitions are individually optimized and reported in an Agilent/Keysight, Rohde & Schwarz and Anritsu compatible VNA format.

Accredited Calibration

Not available.

For further, more detailed information see application note AN001 on the Rosenberger homepage.

Calibration interval

Recommendation 12 months

Packing

Standard 1 pce in box
Weight 6.8 g/pce

While the information has been carefully compiled to the best of our knowledge, nothing is intended as representation or warranty on our part and no statement herein shall be construed as recommendation to infringe existing patents. In the effort to improve our products, we reserve the right to make changes judged to be necessary.

Draft	Date	Approved	Date	Rev.	Engineering change number	Name	Date
Herbert Babinger	08.09.04	Martin Moder	24.03.15	g00	14-1492	Herbert Babinger	24.03.15

Rosenberger Hochfrequenztechnik GmbH & Co. KG P.O.Box 1260 D-84526 Tittmoning Germany www.rosenberger.de				Tel. : +49 8684 18-0 Email : info@rosenberger.de			Page 3 / 3
--	--	--	--	---	--	--	---------------