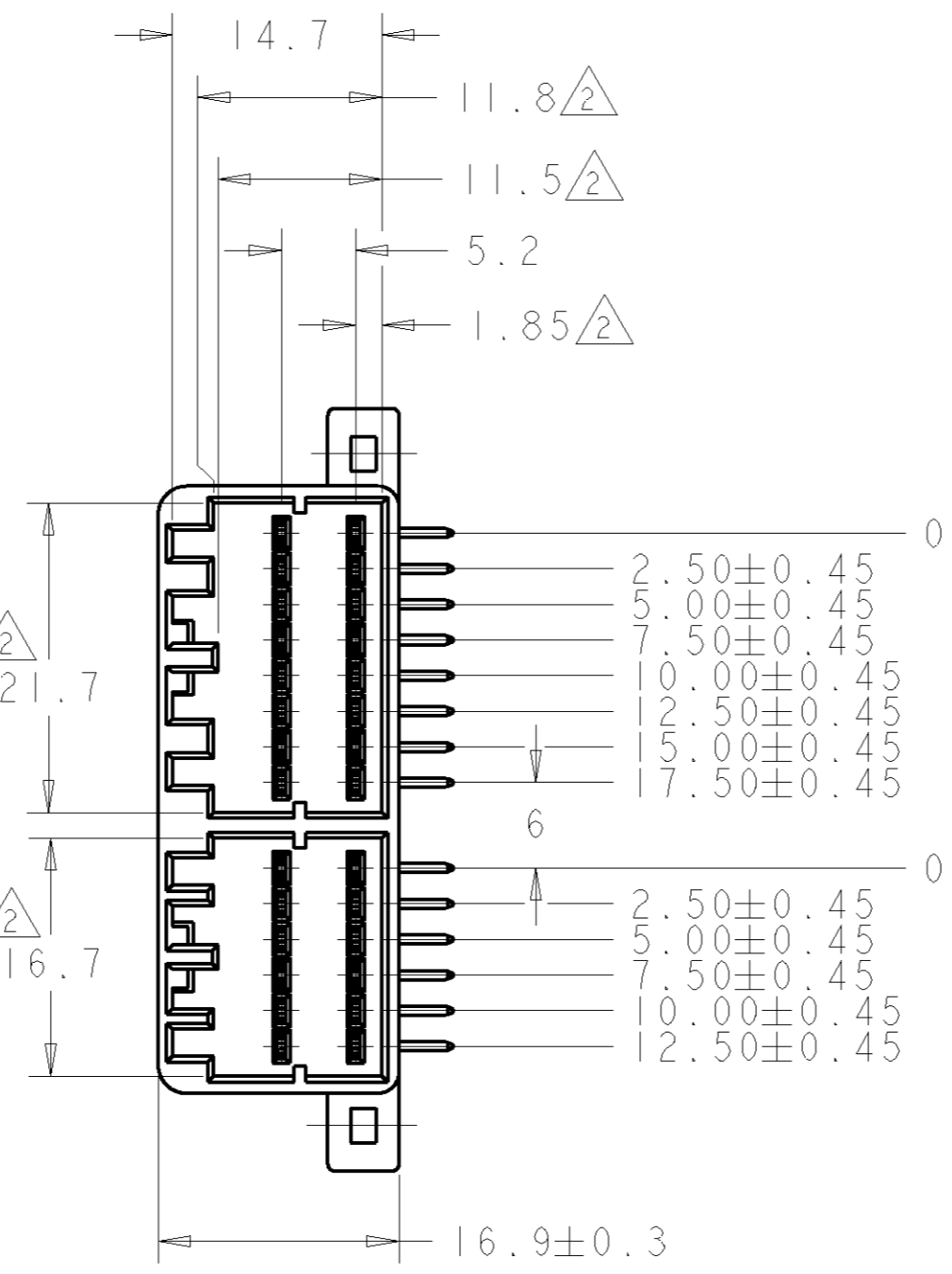
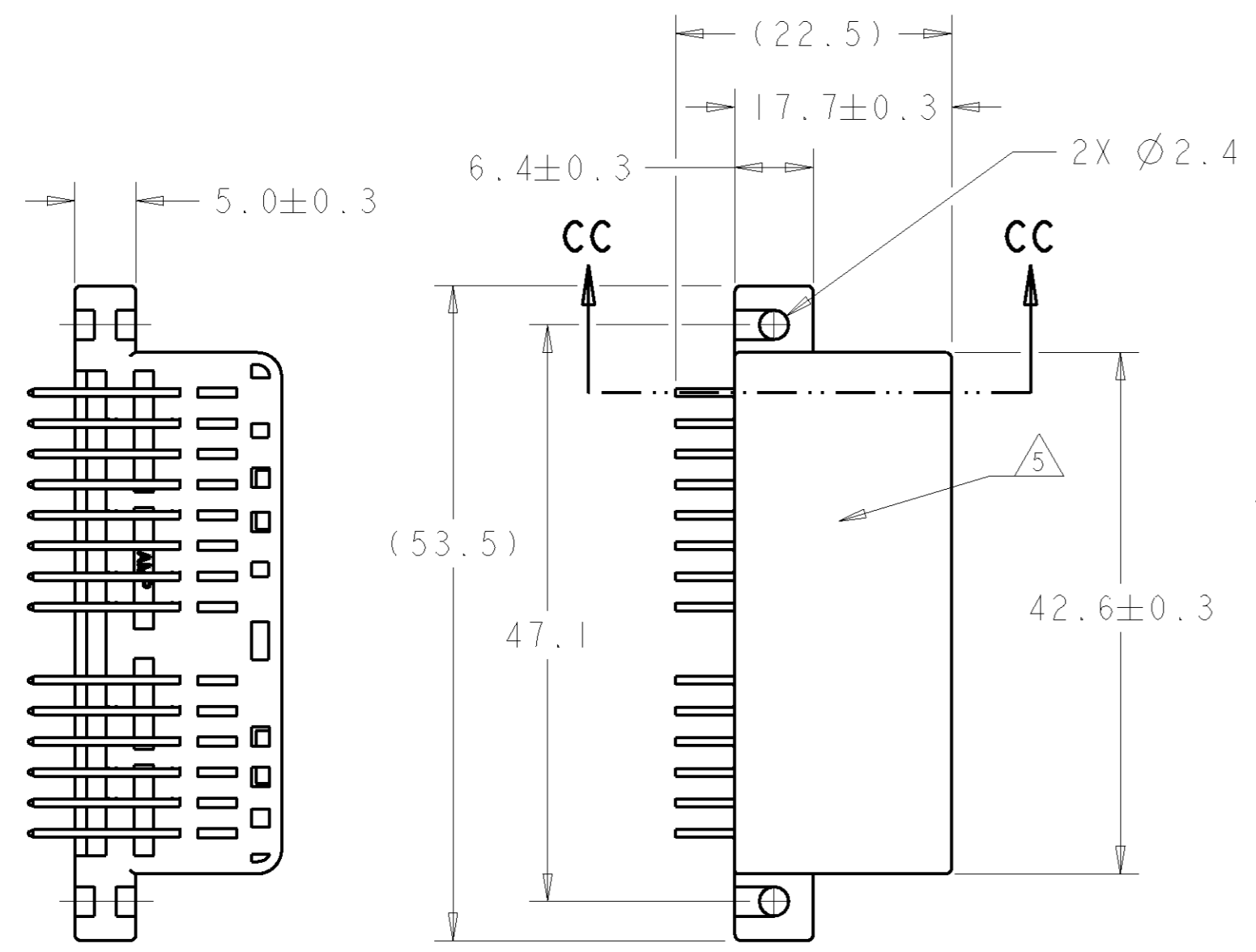
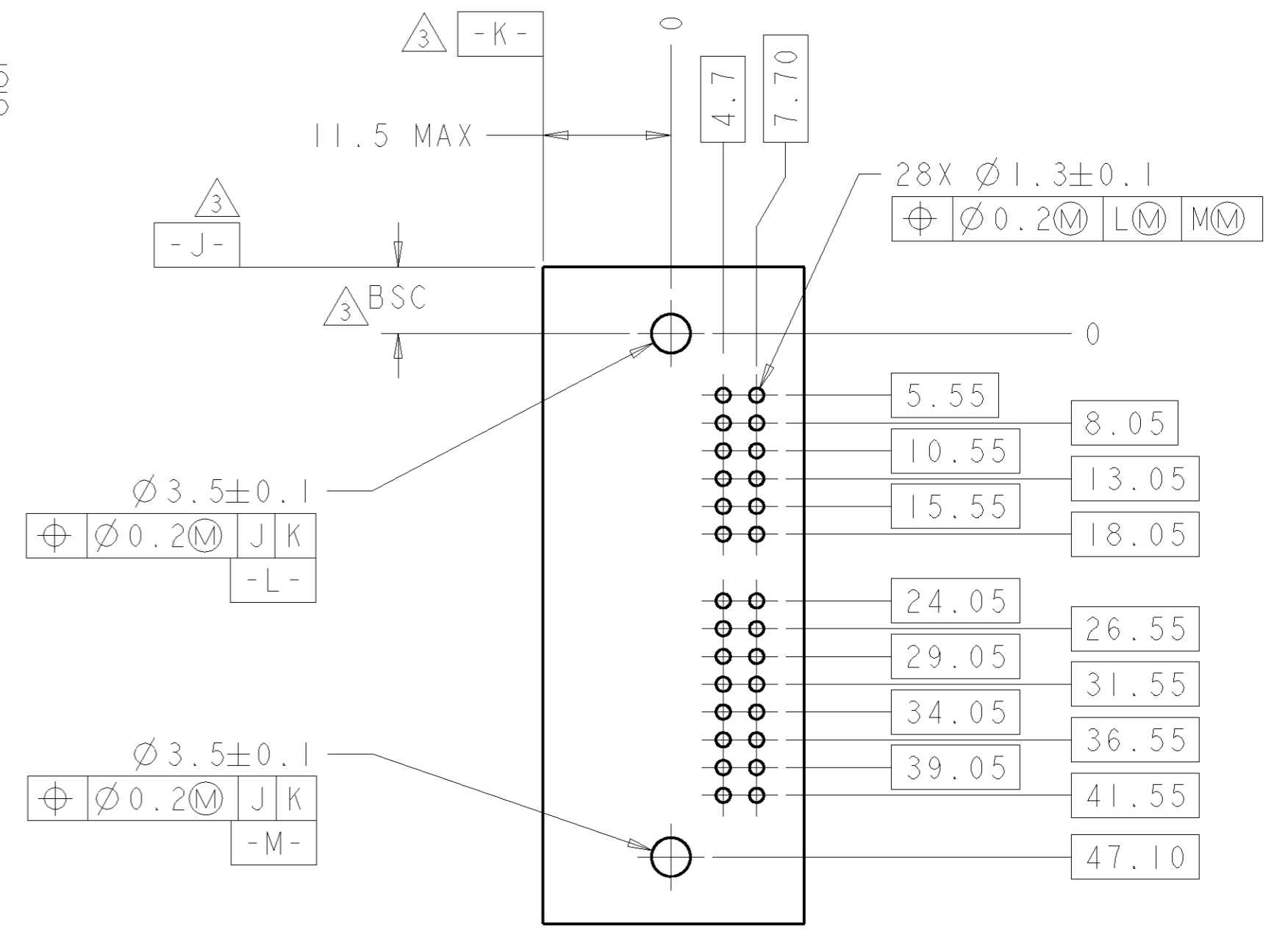
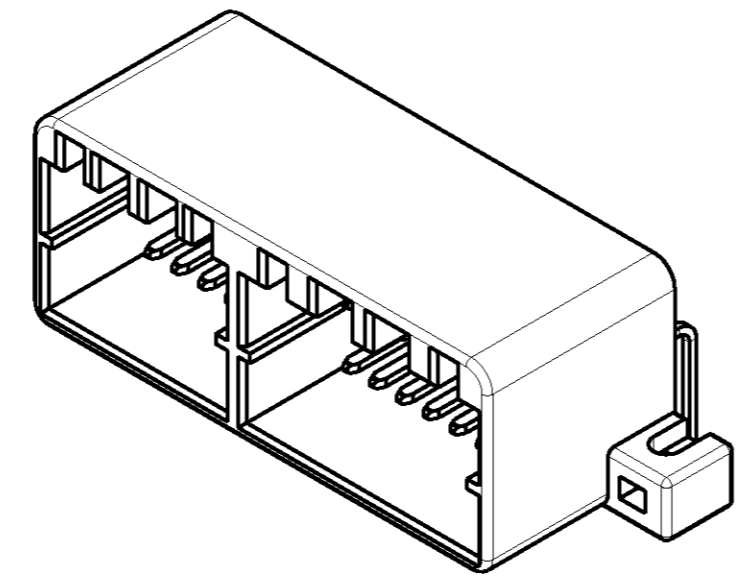
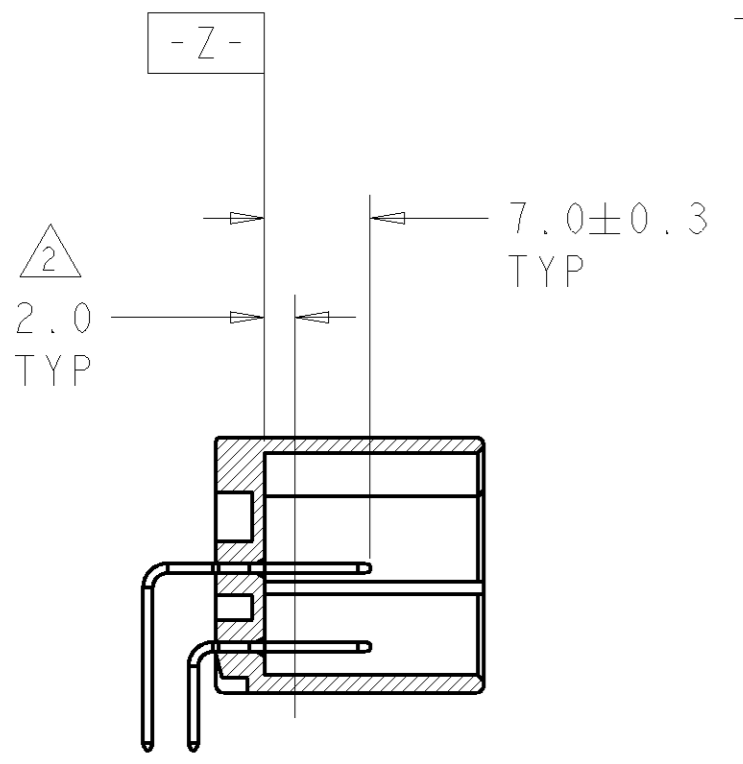
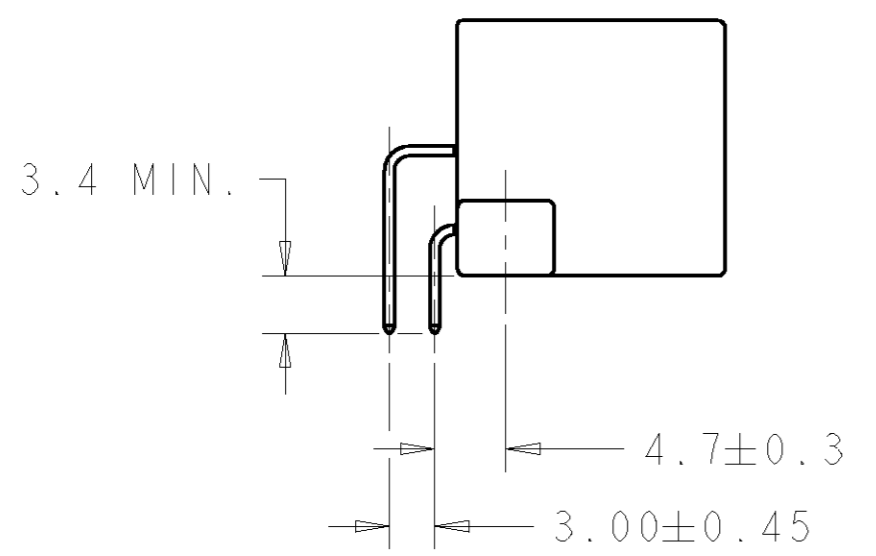


THIS DRAWING IS UNPUBLISHED. RELEASED FOR PUBLICATION 20
 © COPYRIGHT 20 BY TYCO ELECTRONICS CORPORATION. ALL RIGHTS RESERVED.

Loc		DIST		REVISIONS				
P	LTR	DESCRIPTION	DATE	DWN	APVD			
	A	RLSD PER ECR D05-054	03JUN2005	RGV	SSA			



- RECOMMENDED MOUNTING SCREW, 3mm DIA X 6mm LG PAN HEAD SCREW, CLASS 2 TAPPING SCREW AS SPECIFIED IN JIS B1115 AND B1122. TIGHTENING TORQUE: 4kg-mm MAX.
- DIMENSION MUST BE HELD BETWEEN [-Z-] AND 2.0mm FROM [-Z-].
- DATUMS AND BASIC DIMENSIONS ESTABLISHED BY CUSTOMER.
- MATING PLUGS: 175965, 175966
- DATE CODE.



PC BOARD LAYOUT
 RECOMMENDED THICKNESS: 1.6MM

TOLERANCES UNLESS OTHERWISE SPECIFIED:
 0 < X < 10 : ±0.2
 10 < X < 30 : ±0.25
 30 < X < 100 : ±0.3
 ANGLES: ±3°

DIMENSIONS: mm		TOLERANCES UNLESS OTHERWISE SPECIFIED:	
SEE TABLE		SEE TABLE	

BRASS	POST-TIN	PBT	BLACK	9-175976-2
MATERIAL	FINISH	MATERIAL	COLOR	PART NO
CONTACT		HOUSING		
DWN R. VESTAL 03JUN2005		Tyco Electronics Harrisburg, PA 17105-3608		
CHK S. ASHLEY 03JUN2005		NAME CAP ASSEMBLY, 28 POSITION, HORIZONTAL, 040 SERIES, MULTILOCK I/O CONNECTOR, MK11		
APVD S. ASHLEY 03JUN2005		PRODUCT SPEC 108-5281		
APPLICATION SPEC		SIZE CAGE CODE DRAWING NO RESTRICTED TO		
WEIGHT 9.14g		A200779 C-9-175976-2		
CUSTOMER DRAWING		SCALE 2:1 SHEET 1 OF 1 REV A		