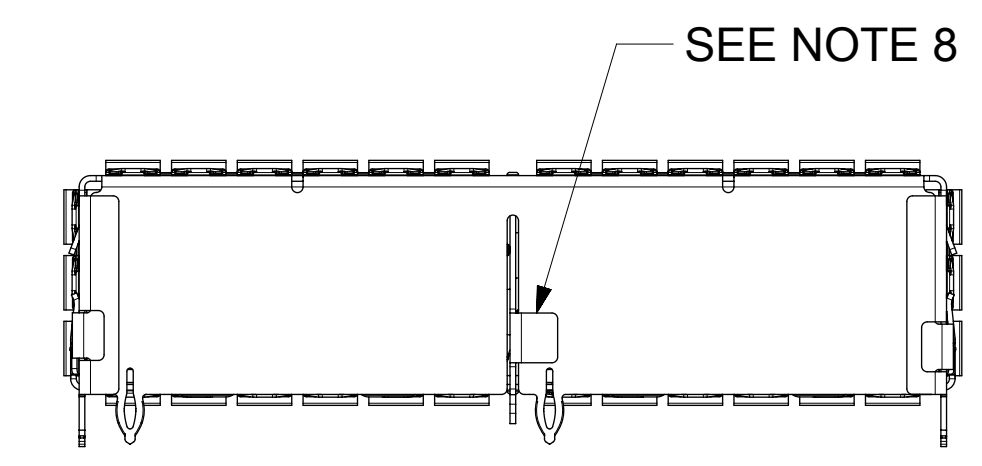
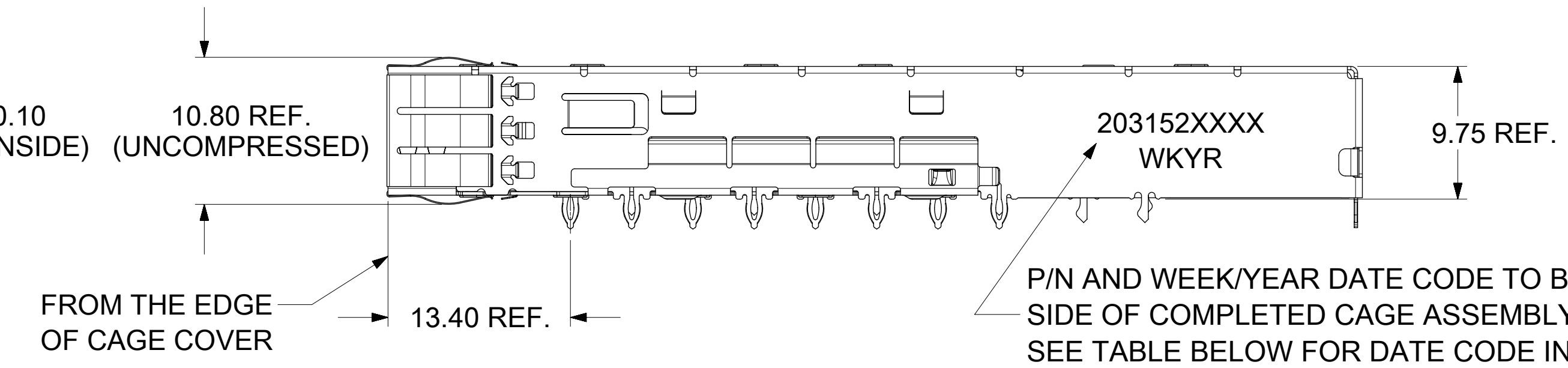
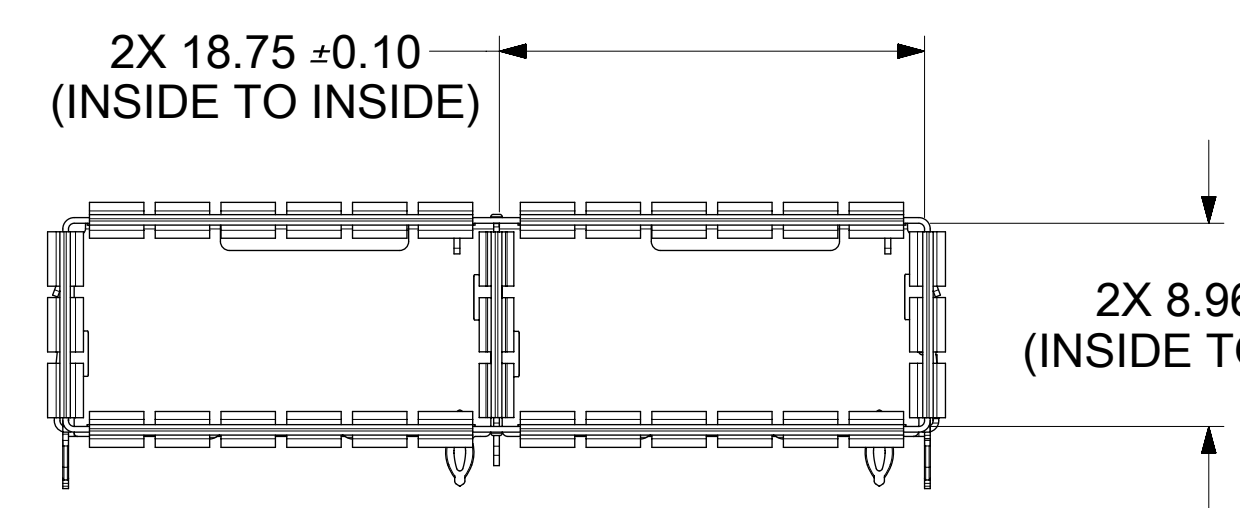
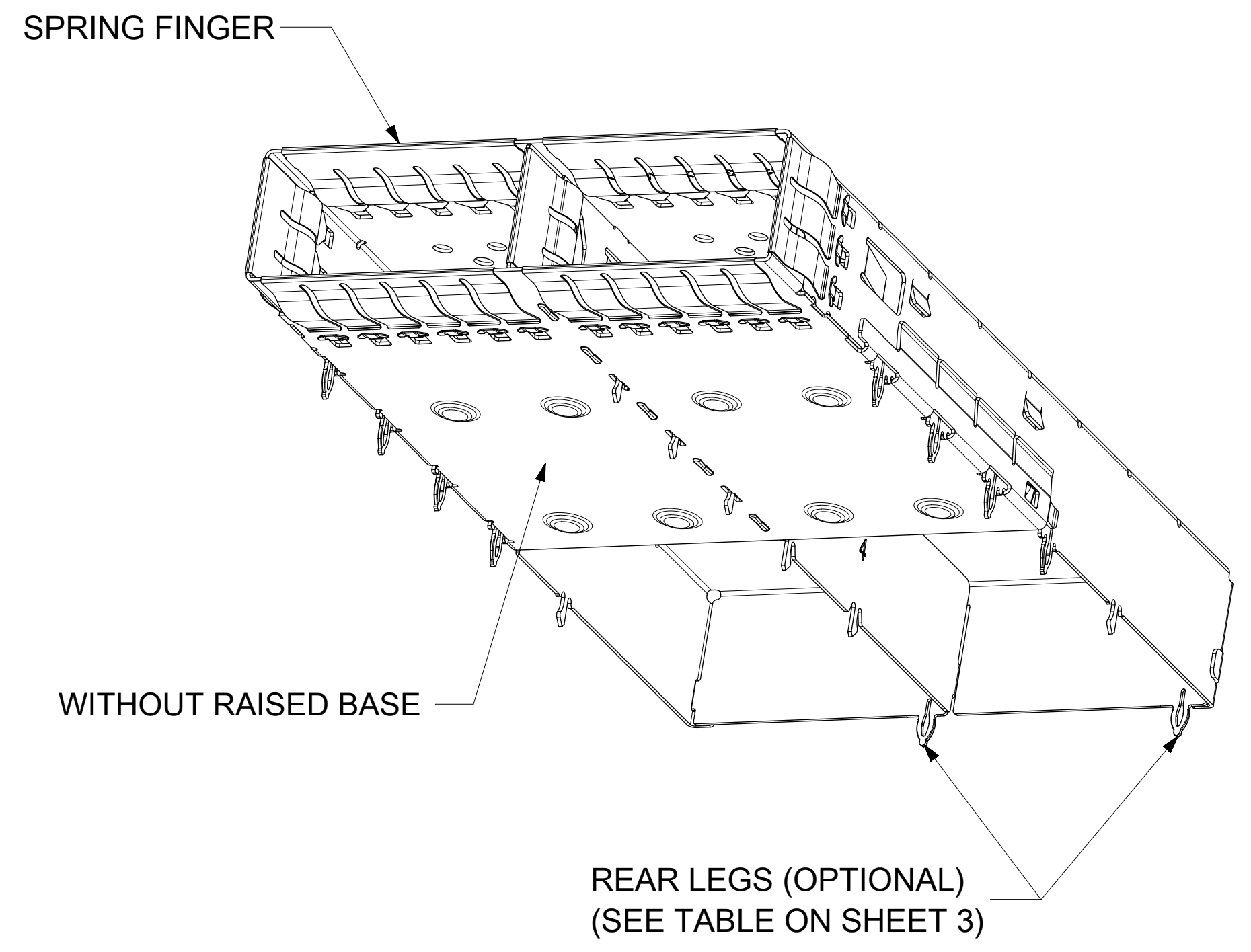
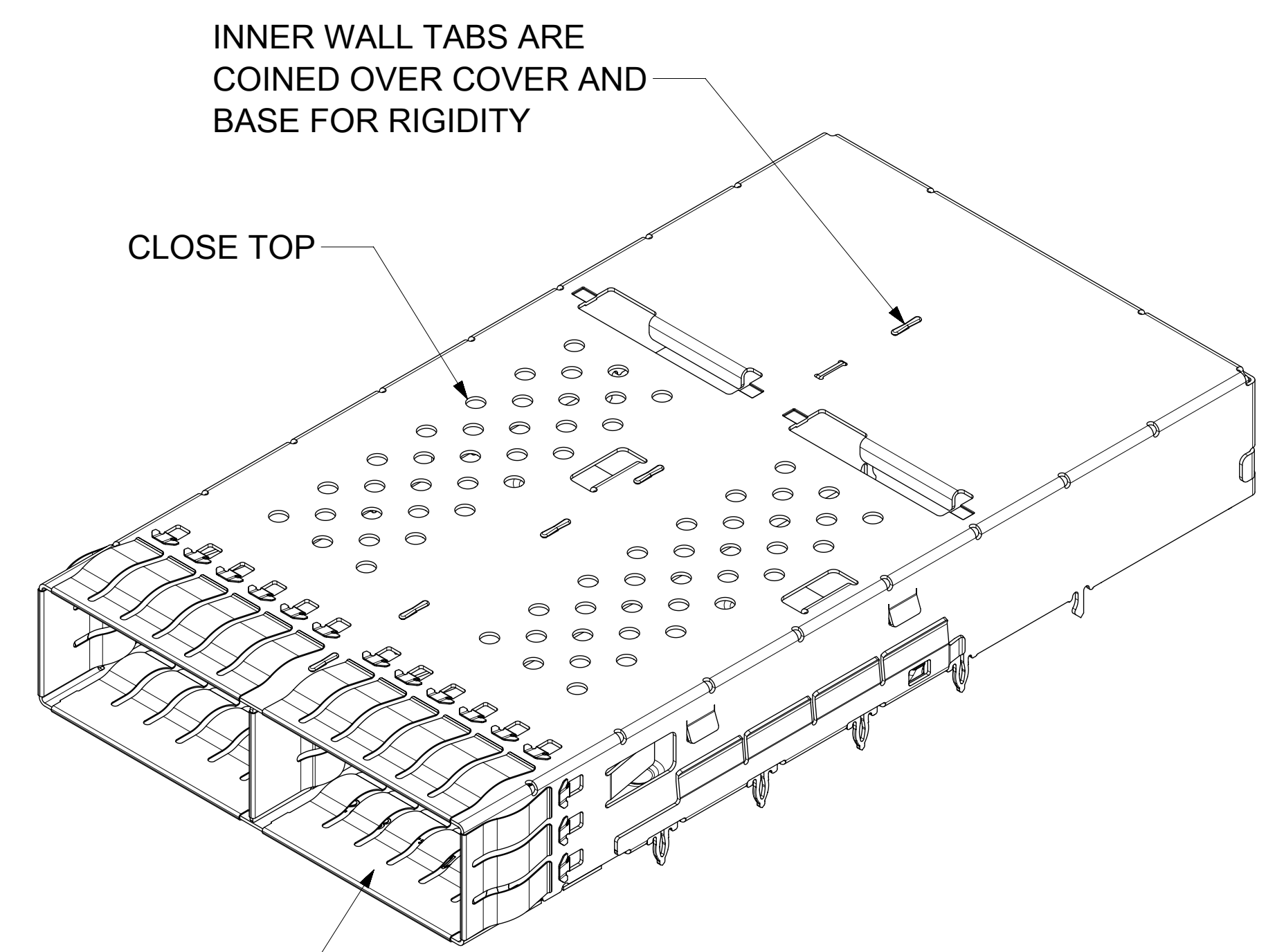
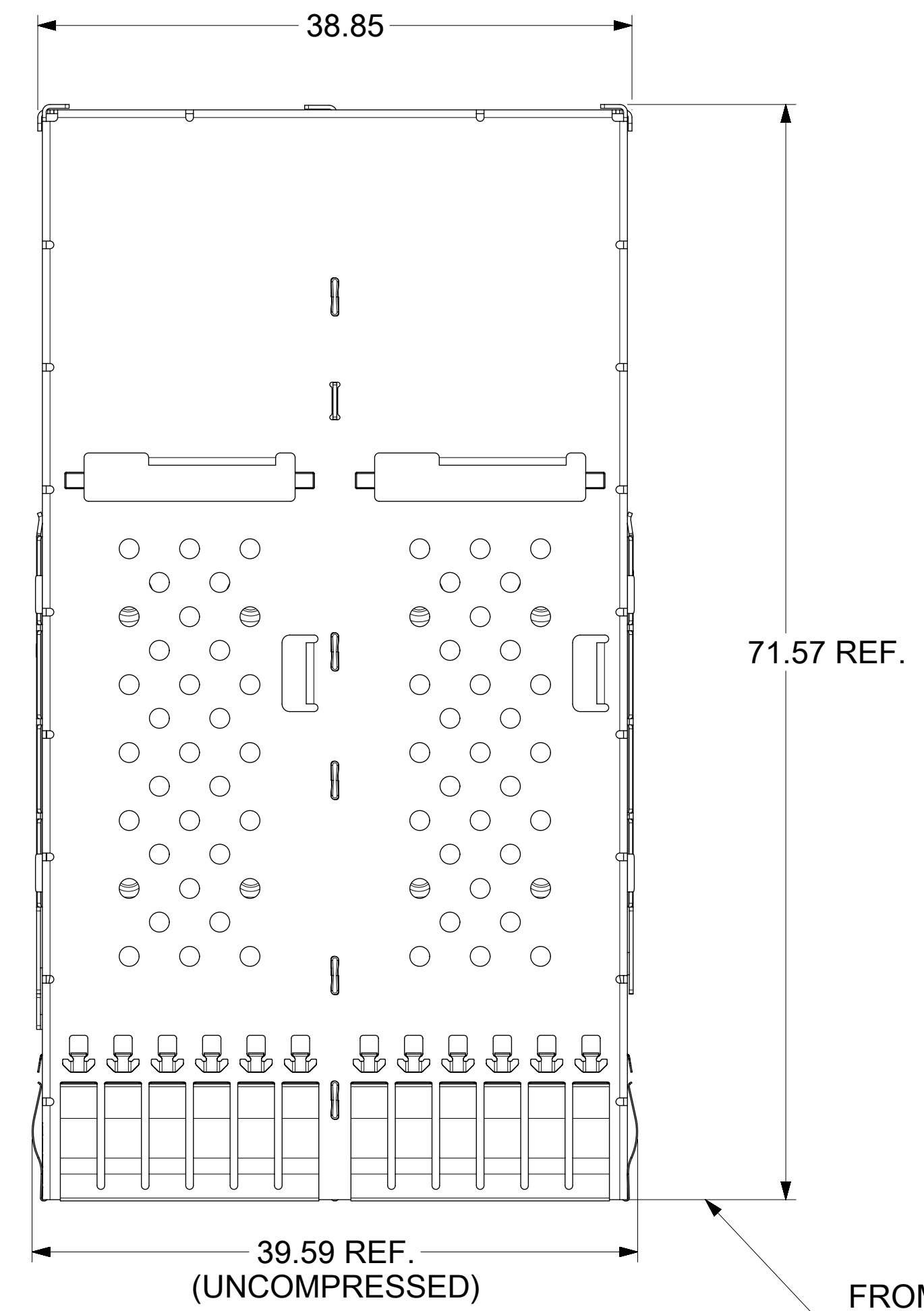


BASE CAGE DETAILS

2031521244 SHOWN



- NOTES:**
- MATERIAL: CAGE: STAINLESS STEEL
 SPRING FINGERS: STAINLESS STEEL
 CENTER WALL: STAINLESS STEEL
 HEAT SINK: ALUMINUM (BLACK ANODIZATION)
 HEAT SINK CLIP: STAINLESS STEEL
 - DRAWING APPLIES TO ALL P/N'S SHOWN ON PAGE 3
 - DURING FINAL INSPECTION, CAGE LEG LOCATIONS AND STRAIGHTNESS MUST BE CHECKED USING APPROPRIATE GO - NO GO GAGE
 - DURING FINAL INSPECTION, CAGE MUST BE INSPECTED TO MAKE SURE LEG CONFIGURATIONS AND PART NUMBERS ARE CORRECT, REFER TO SHEETS 3.
 - PARTS TO BE INSPECTED PER MOLEX COSMETIC SPEC WI-HP-7-2774 (CLASS B UNLESS OTHERWISE SPECIFIED)
 - PRESS-FIT LEGS 2.20mm LONG -
 1.57mm MINIMUM PCB THICKNESS FOR SINGLE SIDED USE.
 2.70mm MINIMUM PCB THICKNESS FOR BELLY TO BELLY USE.
 - NO RoHS EXEMPTIONS
 - WELD SPOT MAY SHOW SLIGHT MATERIAL DISCOLORATION.

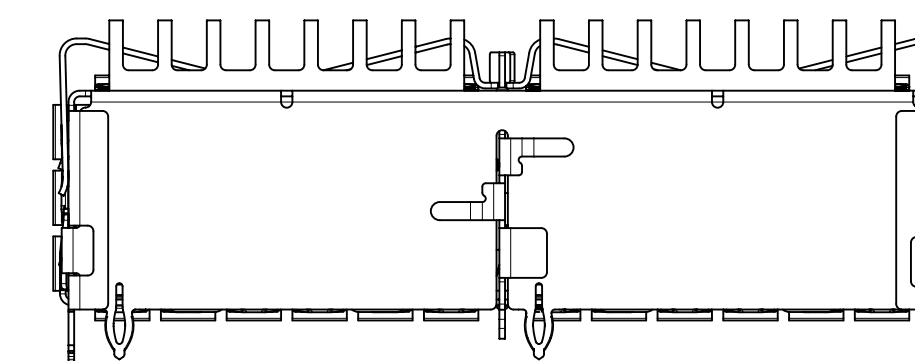
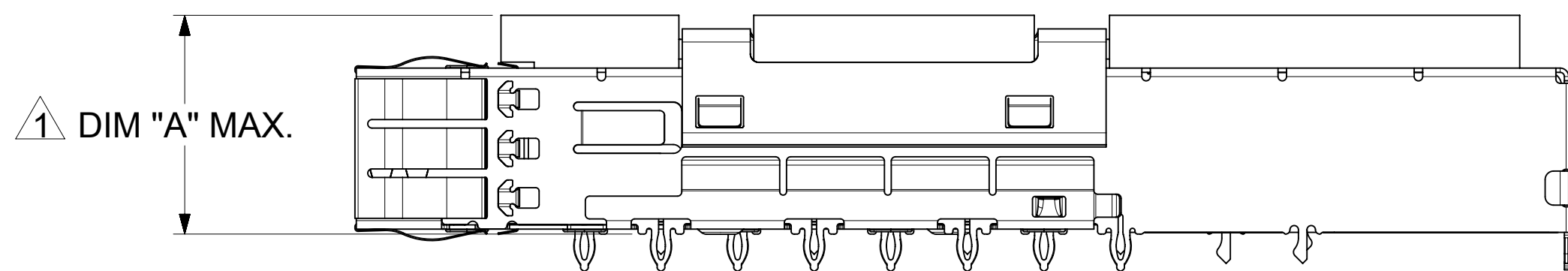
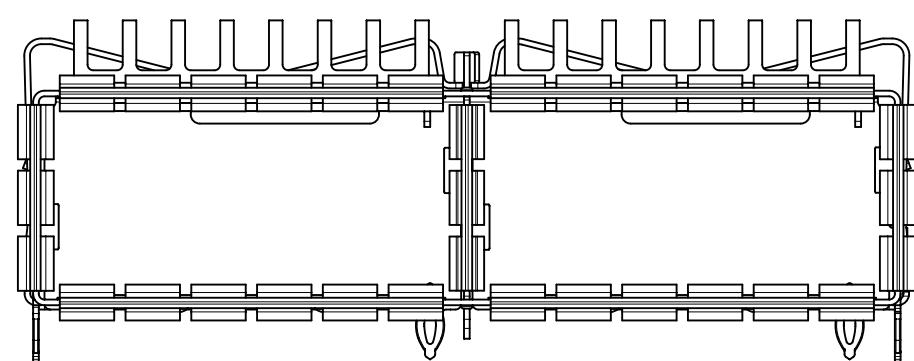
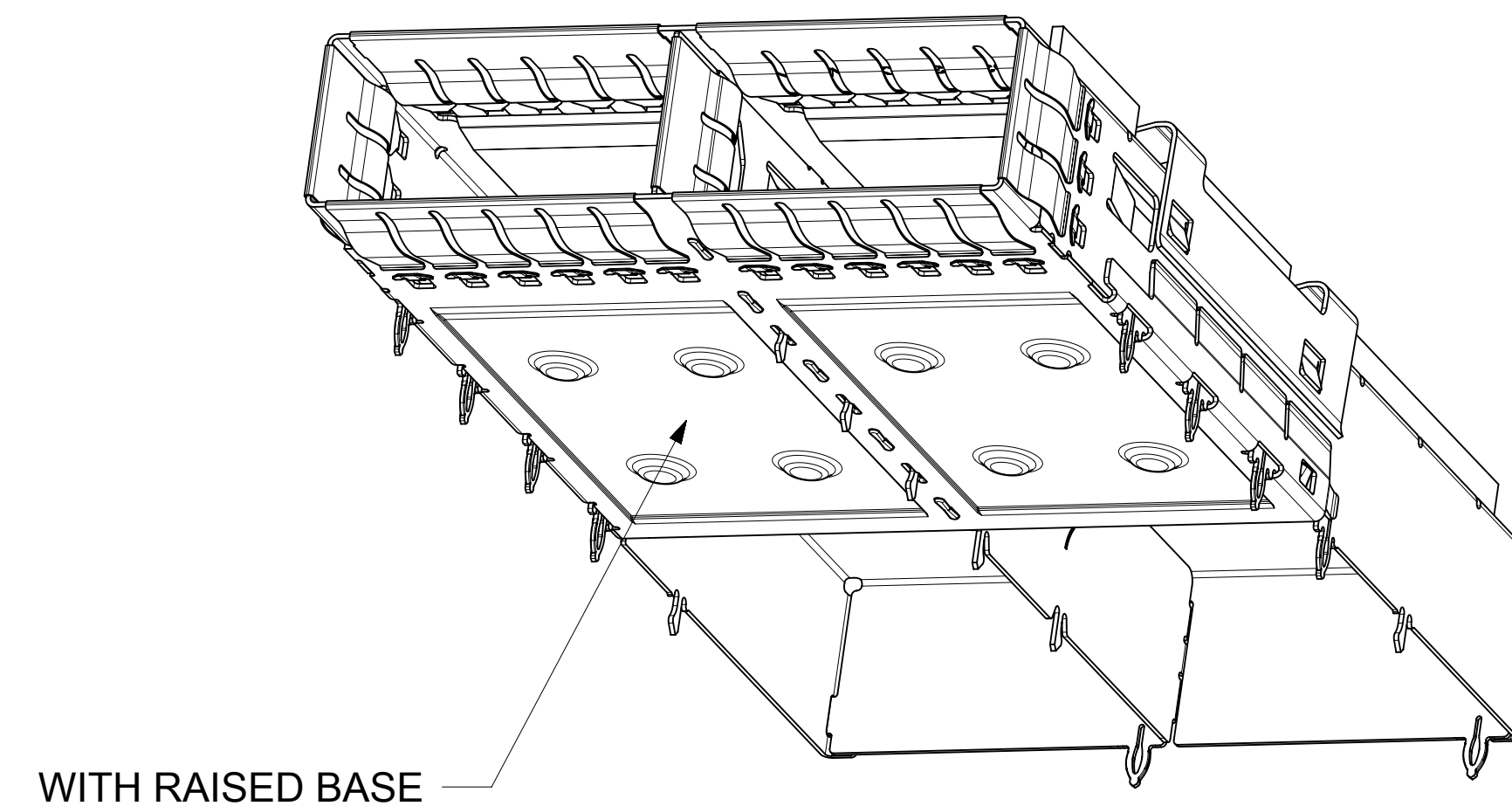
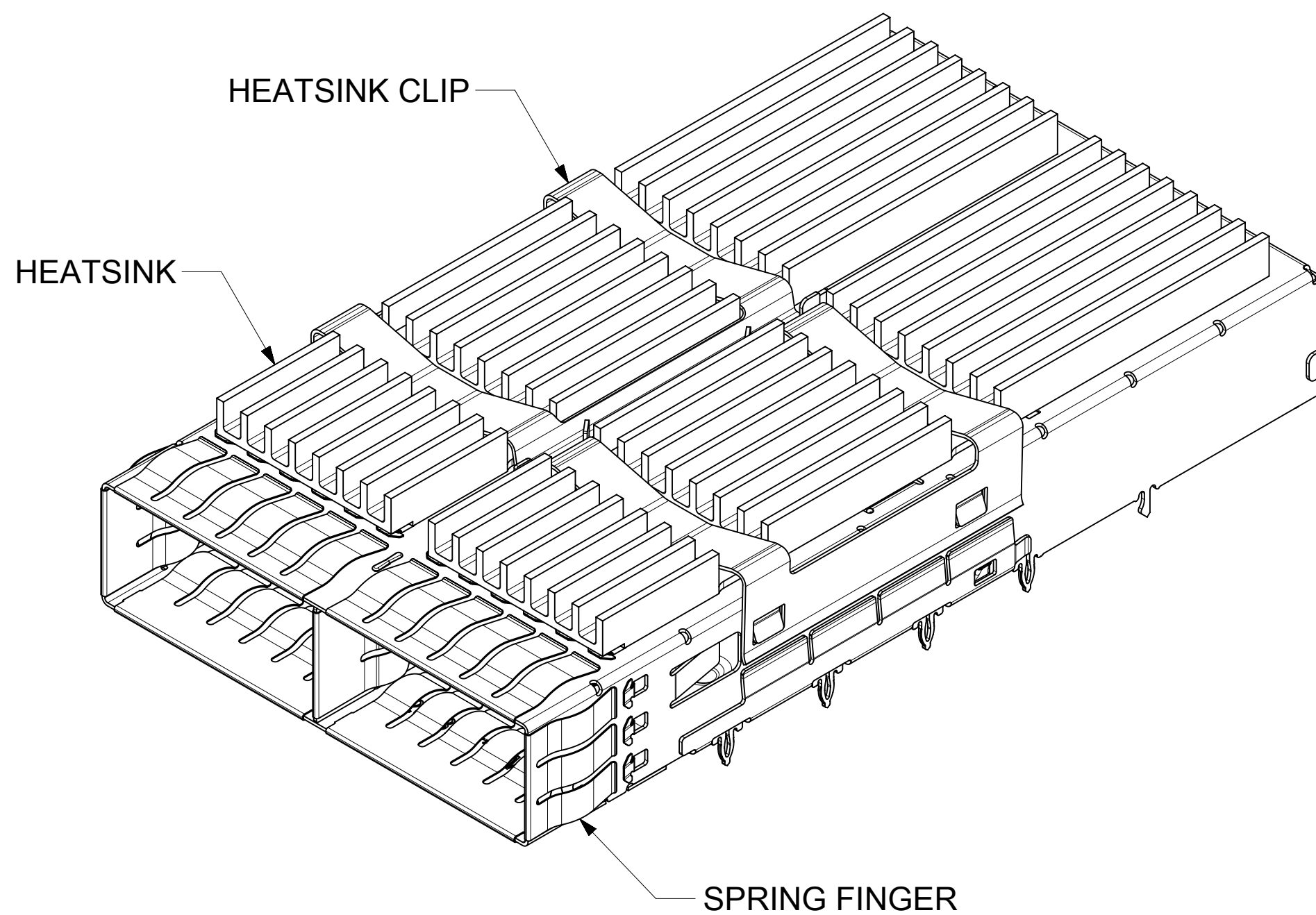
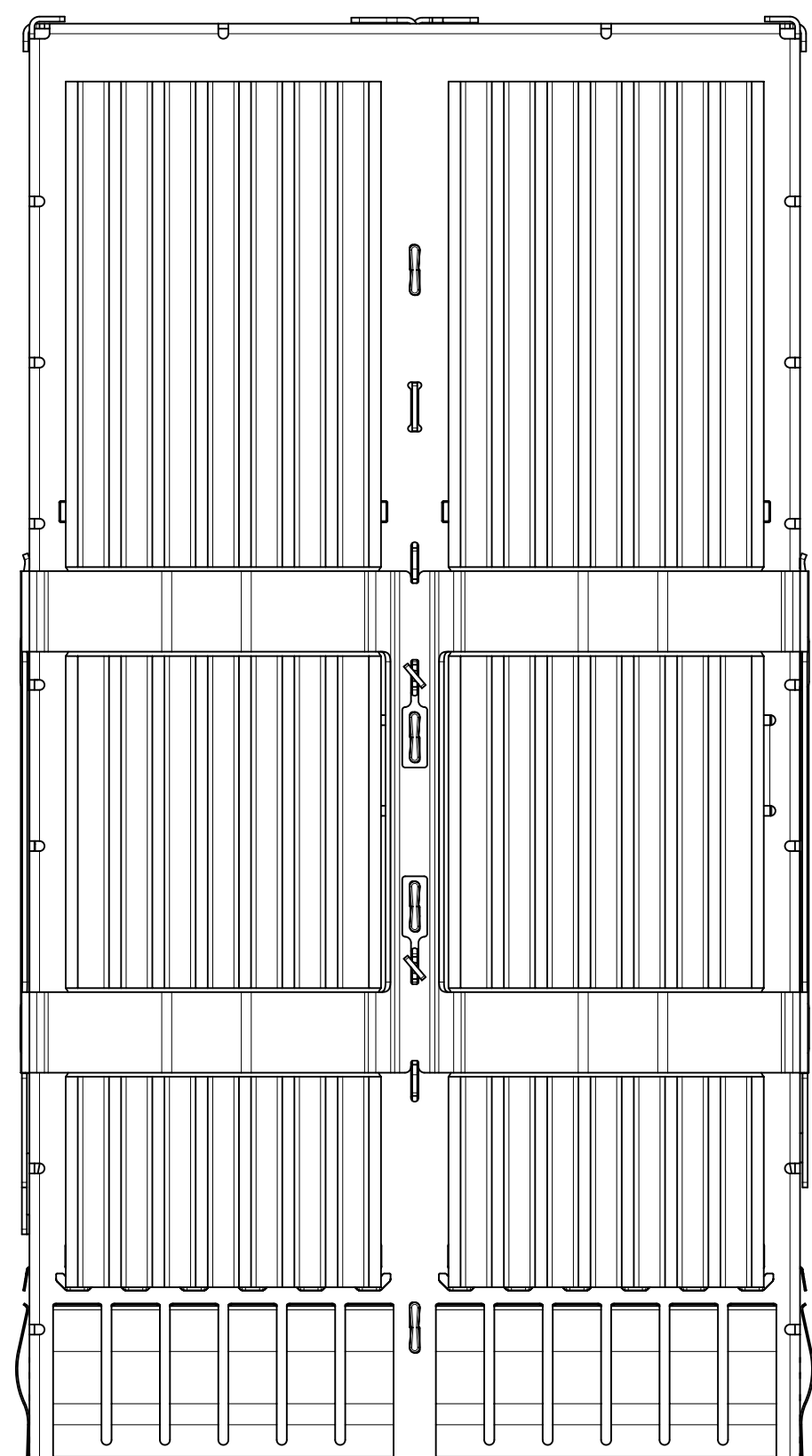
P/N AND WEEK/YEAR DATE CODE TO BE PRINTED ON SIDE OF COMPLETED CAGE ASSEMBLY APPROXIMATELY AS SHOWN. SEE TABLE BELOW FOR DATE CODE INFORMATION.

WEEK/YEAR DATE CODE TABLE	
WK	WEEK OF THE YEAR 01 THRU 52 OR 53 (EXAMPLE: 01= FIRST WEEK OF YEAR, 52 OR 53 = LAST WEEK OF YEAR)
YR	18, 19, 20 ETC.. (EXAMPLE: YEAR 2018= 18)

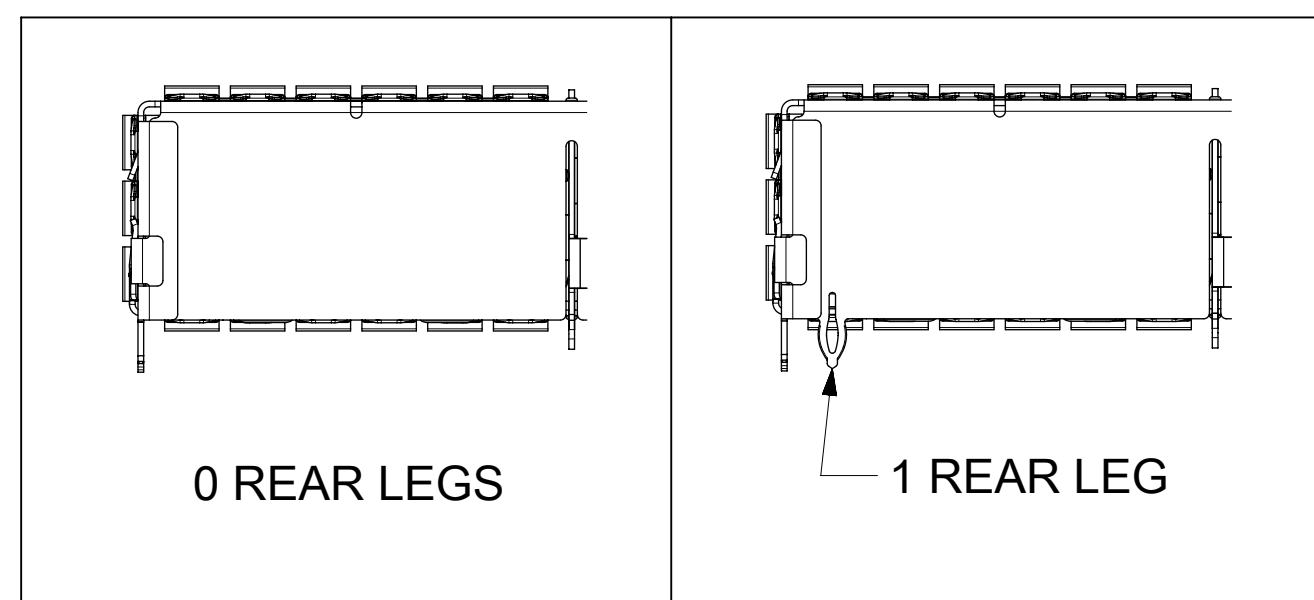
THIS DRAWING CONTAINS INFORMATION THAT IS PROPRIETARY TO MOLEX ELECTRONIC TECHNOLOGIES, LLC AND SHOULD NOT BE USED WITHOUT WRITTEN PERMISSION			
DIMENSION UNITS mm	SCALE 3:1	CURRENT REV DESC: SEE REVISION TABLE	
GENERAL TOLERANCES (UNLESS SPECIFIED)		EC NO: 629406	
ANGULAR TOL	± 2.0°	DRWN: JYEN01	2019/12/13
4 PLACES	±	CHK'D: SCHIEN	2019/12/20
3 PLACES	±	APPR: JCHIANG	2019/12/20
2 PLACES	± 0.13	INITIAL REVISION:	
1 PLACE	± 0.25	DRWN: LLU20	2017/07/20
0 PLACES	±	APPR: RCHEN08	2017/08/15
DRAFT WHERE APPLICABLE MUST REMAIN WITHIN DIMENSIONS		THIRD ANGLE PROJECTION	SERIES
		DRAWING	D-SIZE
		MATERIAL NUMBER	203152
		CUSTOMER	SEE P/N TABLE
		DOCUMENT NUMBER	2031521201
		DOC TYPE	PSD
		DOC PART	ASY
		REVISION	D2
		GENERAL MARKET	
		SHEET NUMBER	
		1 OF 7	

CAGE ASSEMBLY OPTIONS

2031522349 SHOWN



REAR LEG OPTIONS



HEAT SINK HEIGHT OPTIONS

OVERALL HEAT SINK HEIGHT	DIM "A"
PCI	13.7
SAN	16.0
NET	23.0

HEIGHT OF HEAT SINK WITH MODULE INSERTED. DIMENSION MAY BE LESS DUE TO MODULE AND HEAT SINK VARIATIONS.

THIS DRAWING CONTAINS INFORMATION THAT IS PROPRIETARY TO MOLEX ELECTRONIC TECHNOLOGIES, LLC AND SHOULD NOT BE USED WITHOUT WRITTEN PERMISSION

DIMENSION UNITS	SCALE	CURRENT REV DESC: SEE REVISION TABLE	
mm	3:1		
GENERAL TOLERANCES (UNLESS SPECIFIED)			
ANGULAR TOL	± 2.0°		
4 PLACES	±		
3 PLACES	±		
2 PLACES	± 0.13		
1 PLACE	± 0.25		
0 PLACES	±		
DRAFT WHERE APPLICABLE MUST REMAIN WITHIN DIMENSIONS		THIRD ANGLE PROJECTION	DRAWING
		D-SIZE	SERIES
		203152	203152
		MATERIAL NUMBER	CUSTOMER
		SEE P/N TABLE	GENERAL MARKET
		DOCUMENT NUMBER	DOC TYPE DOC PART REVISION
		2031521201	PSD ASY D2
		SHEET NUMBER	
		2 OF 7	

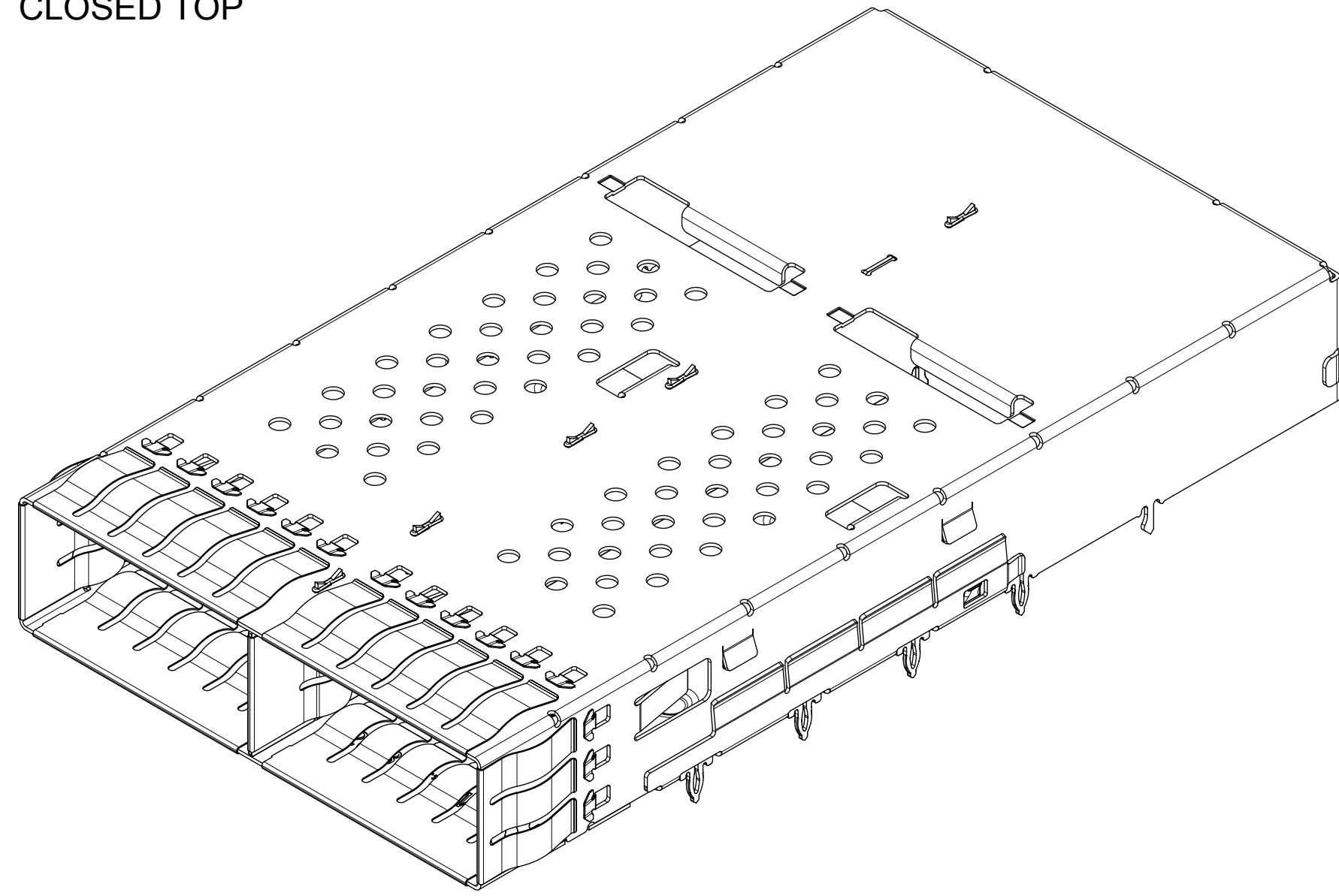
molex

QSFP-DD 1X2 GANGED CAGE ASSY
SF WITH FIN H/S OPTIONS

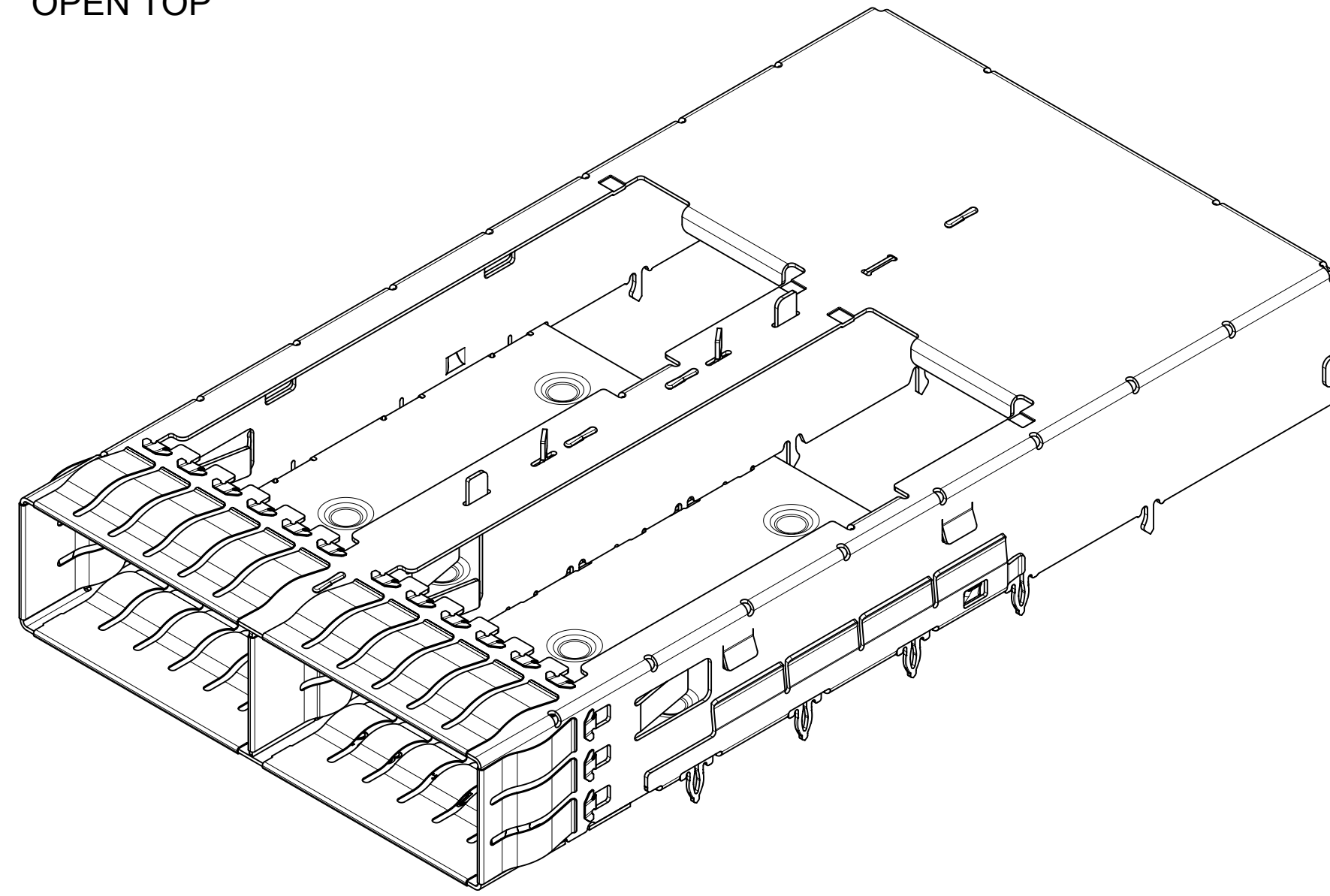
PRODUCT CUSTOMER DRAWING

PART NUMBER SECECTION

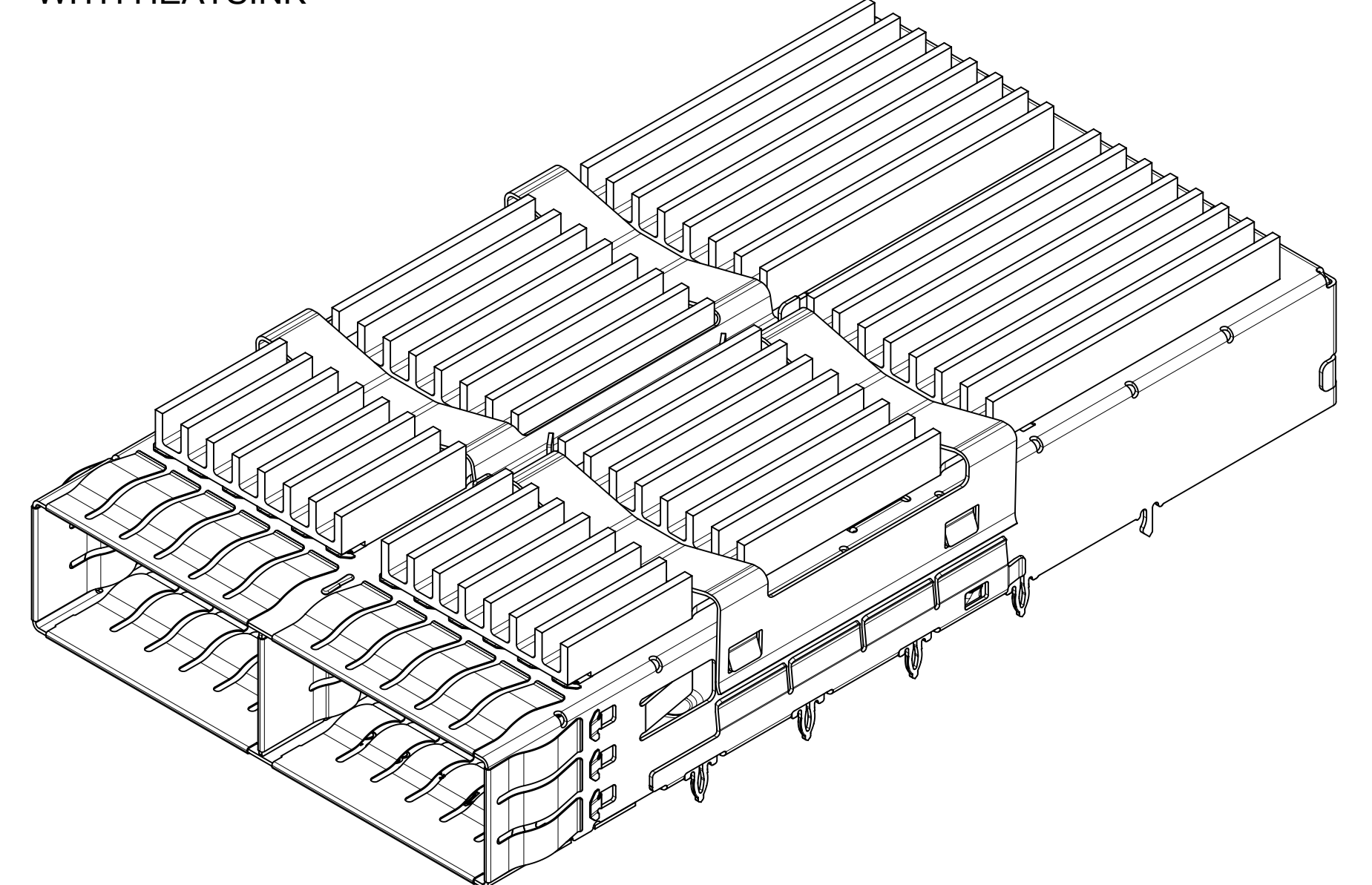
CLOSED TOP



OPEN TOP



WITH HEATSINK

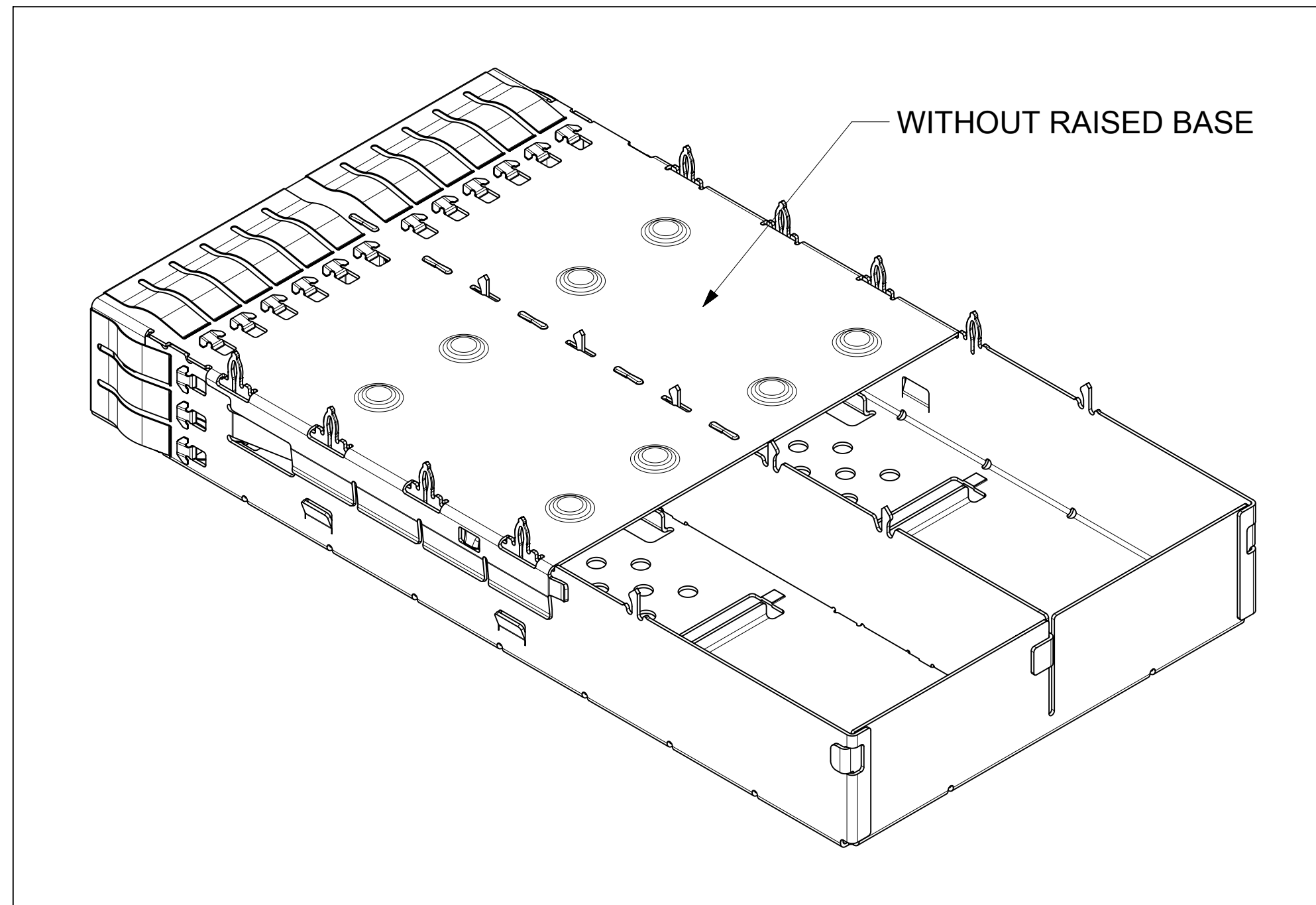


MOLEX P/N	# OF REAR LEGS PER PORT	WITH RAISED BASE
2031521243	0	NO
2031521244	1	NO

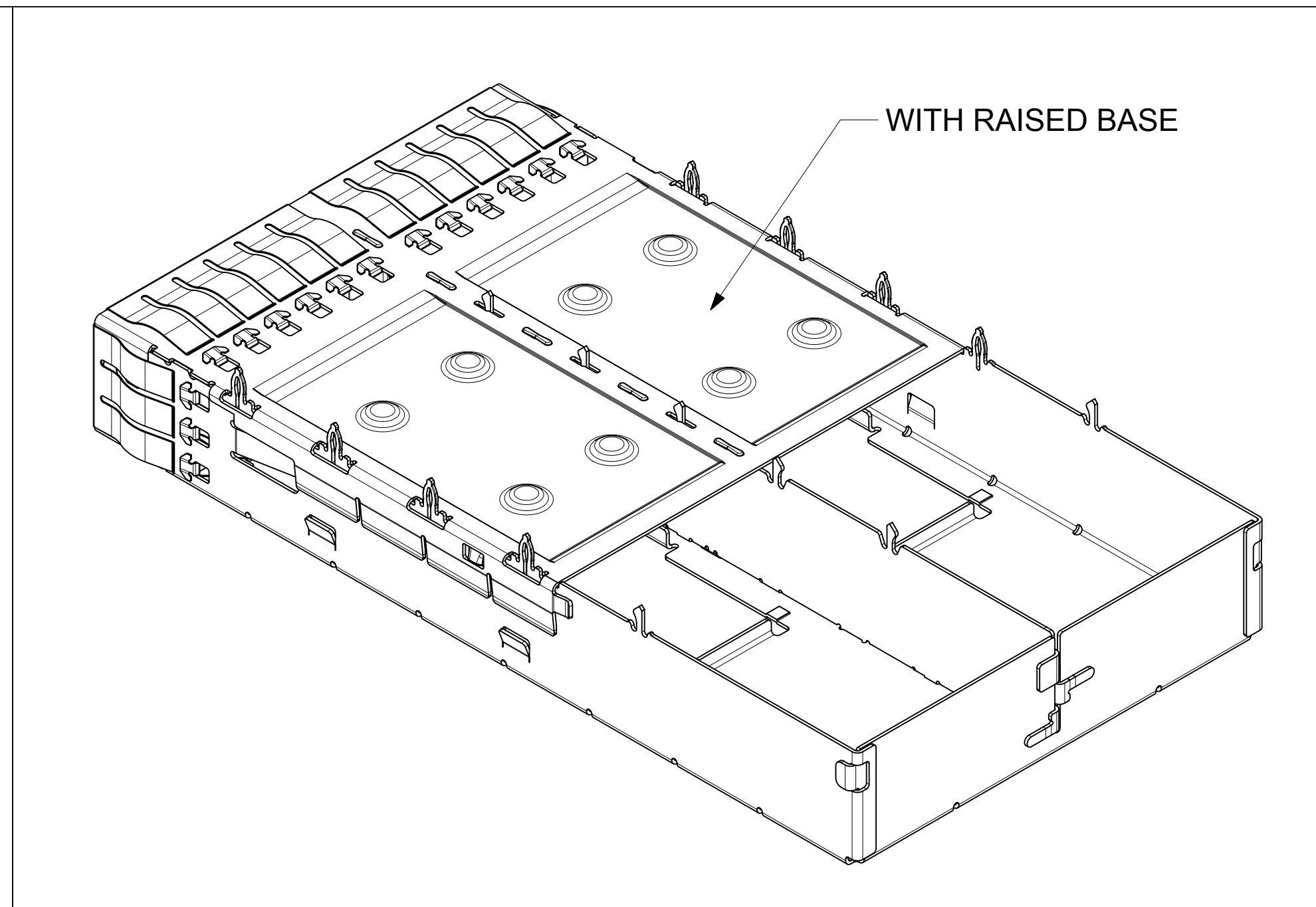
MOLEX P/N	# OF REAR LEGS PER PORT	WITH RAISED BASE
2031521253	0	NO
2031521254	1	NO
2031522253	0	YES
2031522254	1	YES

MOLEX P/N	HEAT SINK	# OF REAR LEGS PER PORT	WITH RAISED BASE
2031521346	PCI	0	NO
2031521347	SAN	0	NO
2031521348	NET	0	NO
2031521349	PCI	1	NO
2031521350	SAN	1	NO
2031521351	NET	1	NO
2031522346	PCI	0	YES
2031522347	SAN	0	YES
2031522348	NET	0	YES
2031522349	PCI	1	YES
2031522350	SAN	1	YES
2031522351	NET	1	YES

RAISED BASE OPTIONS



WITHOUT RAISED BASE



WITH RAISED BASE

THIS DRAWING CONTAINS INFORMATION THAT IS PROPRIETARY TO MOLEX ELECTRONIC TECHNOLOGIES, LLC AND SHOULD NOT BE USED WITHOUT WRITTEN PERMISSION											
DIMENSION UNITS		SCALE		CURRENT REV DESC: SEE REVISION TABLE							
mm		3:1									
GENERAL TOLERANCES (UNLESS SPECIFIED)											
ANGULAR TOL		± 2.0°		EC NO: 629406							
4 PLACES		±		DRWN: JYEN01 2019/12/13							
3 PLACES		±		CHK'D: SCHIEN 2019/12/20							
2 PLACES		± 0.13		APPR: JCHIANG 2019/12/20							
1 PLACE		± 0.25		INITIAL REVISION:							
0 PLACES		±		DRWN: LLU20 2017/07/20							
				APPR: RCHEN08 2017/08/15							
DRAFT WHERE APPLICABLE MUST REMAIN WITHIN DIMENSIONS				THIRD ANGLE PROJECTION		DRAWING		SERIES		MATERIAL NUMBER	
				D-SIZE		203152		SEE P/N TABLE		CUSTOMER	
								GENERAL MARKET		SHEET NUMBER	
										7 OF 7	

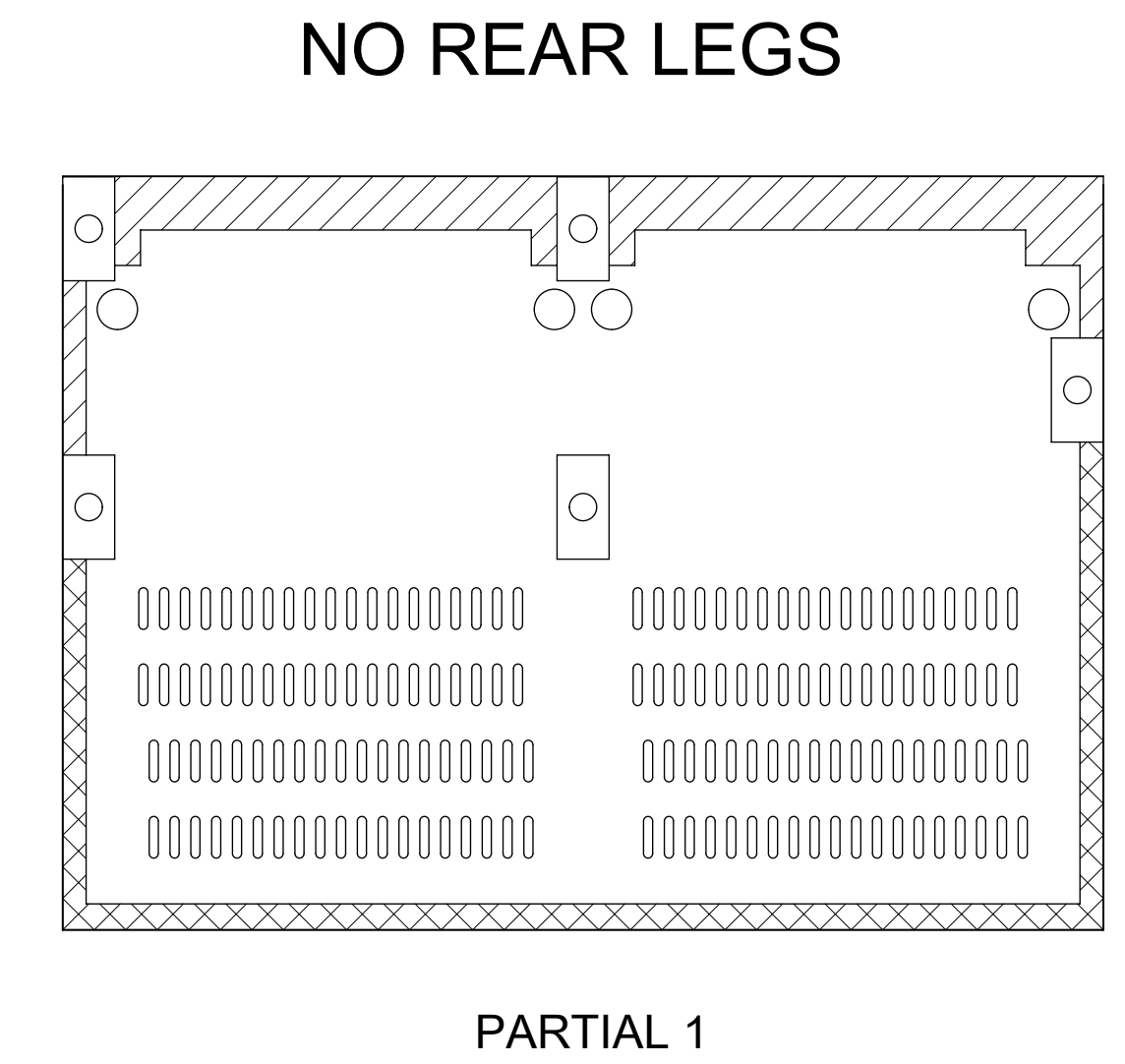
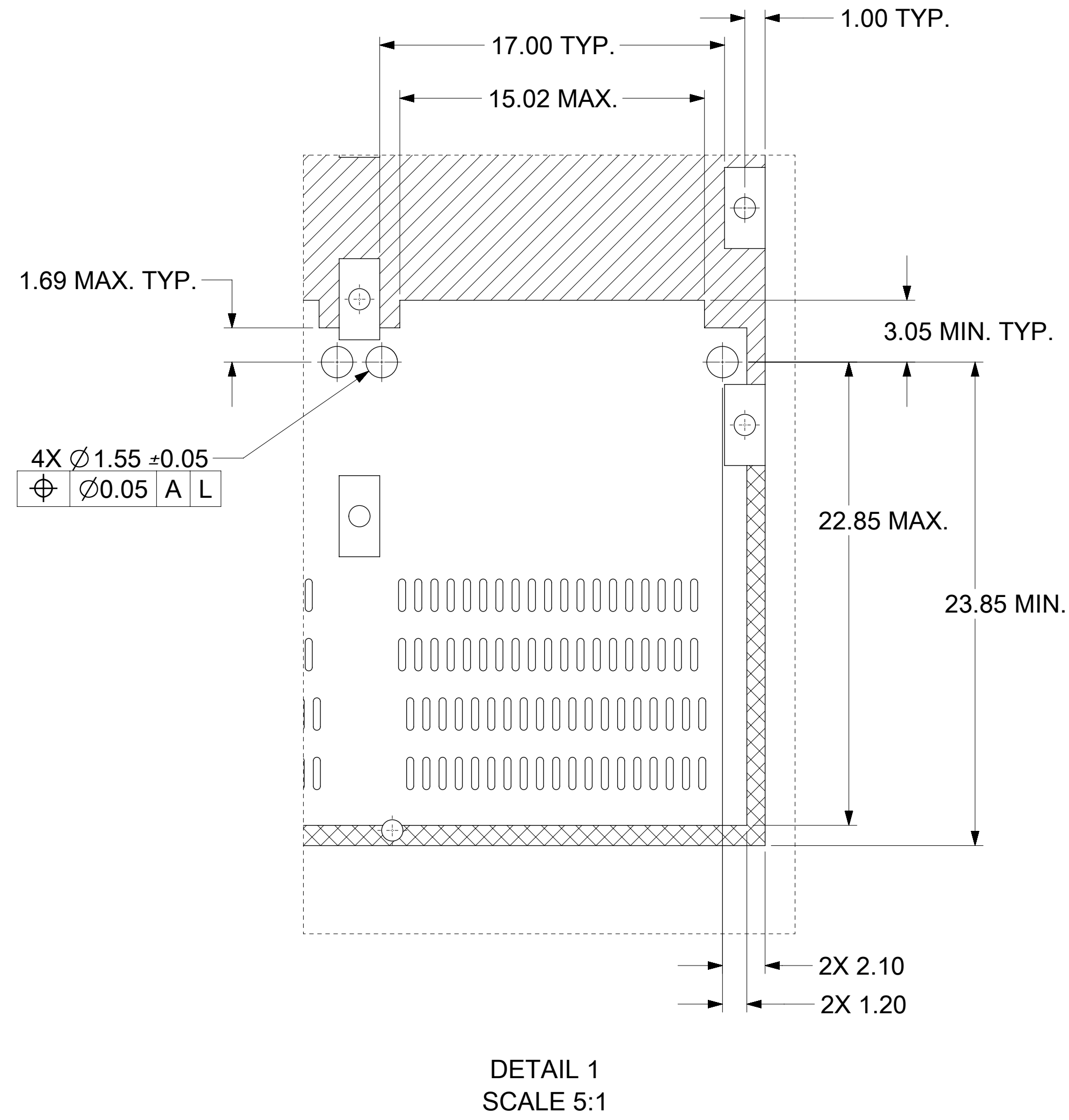
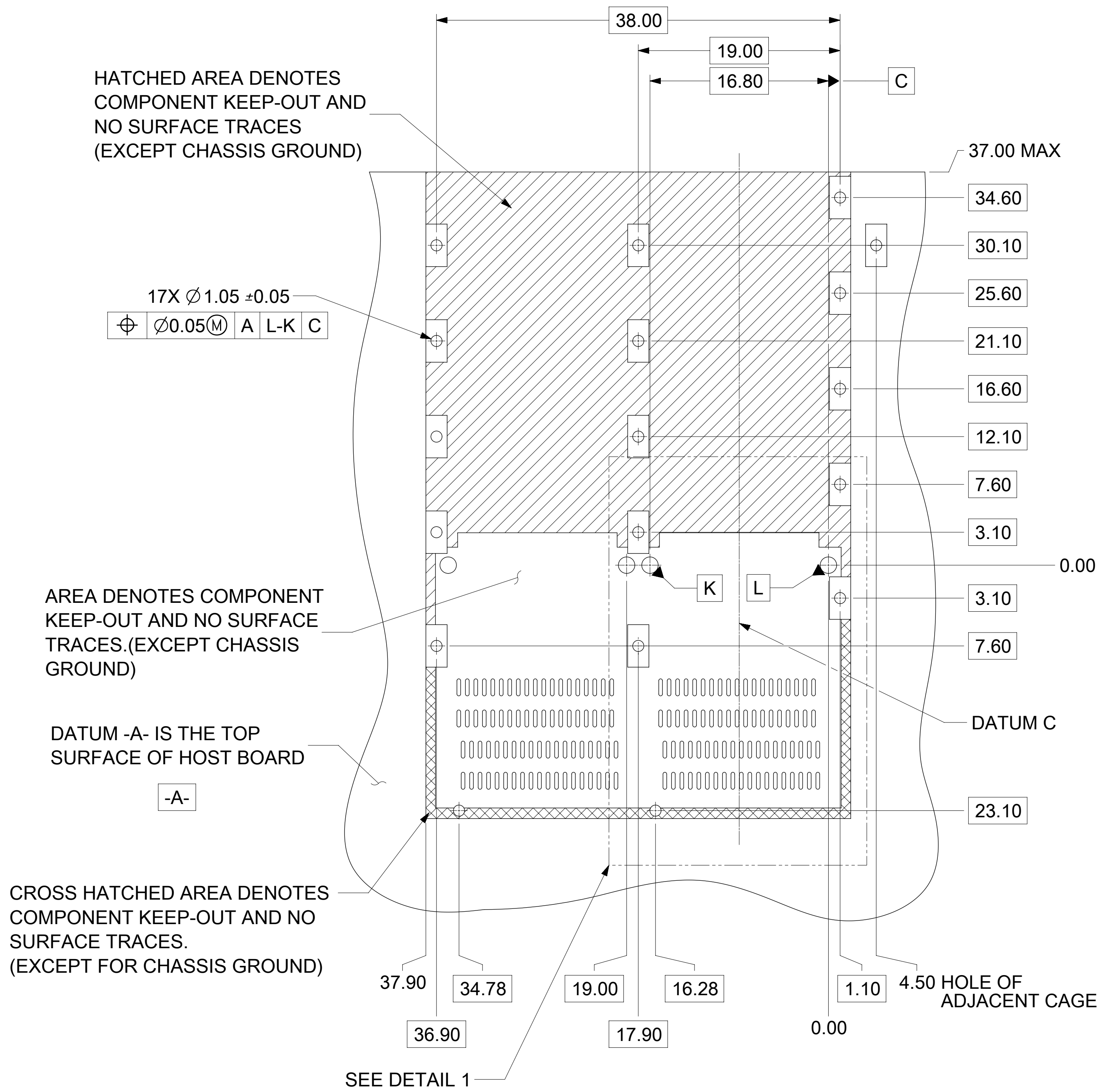
molex

QSFP-DD 1X2 GANGED CAGE ASSY
SF WITH FIN H/S OPTIONS

PRODUCT CUSTOMER DRAWING

DOCUMENT NUMBER	DOC TYPE	DOC PART	REVISION
2031521201	PSD	ASY	D2

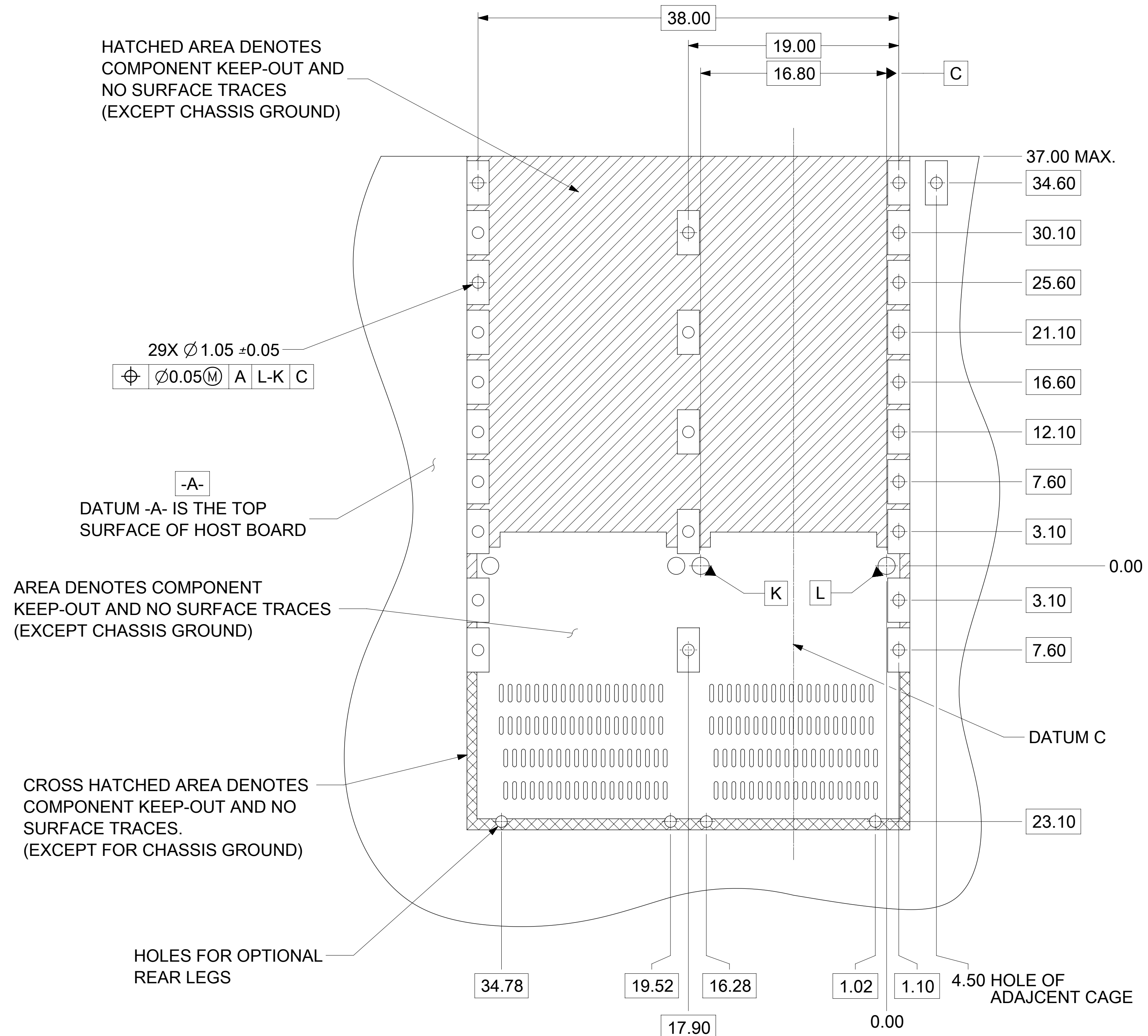
PCB LAYOUT FOR SINGLE SIDED MOUNTING



- NOTES:
- PADS AND VIAS GO TO CHASSIS GROUND. (RECOMMENDED PADS TO BE 2.00X4.00mm RECTANGLE.)
 - RECOMMENDED THRU HOLE PLATING INCLUDES HASL, OSP, OR IMMERSION (GOLD, SILVER, OR TIN).
 - CONNECTOR PAD LAYOUT PER QSFP-DD MSA WILL ACCOMODATE MOLEX CONNECTOR SERIES 202718.

THIS DRAWING CONTAINS INFORMATION THAT IS PROPRIETARY TO MOLEX ELECTRONIC TECHNOLOGIES, LLC AND SHOULD NOT BE USED WITHOUT WRITTEN PERMISSION																																									
DIMENSION UNITS		SCALE		CURRENT REV DESC: SEE REVISION TABLE																																					
mm		3.5:1																																							
GENERAL TOLERANCES (UNLESS SPECIFIED)																																									
ANGULAR TOL		$\pm 2.0^\circ$		EC NO: 629406																																					
4 PLACES		\pm		DRWN: JYEN01				2019/12/13																																	
3 PLACES		\pm		CHK'D: SCHIEN				2019/12/20																																	
2 PLACES		± 0.13		APPR: JCHIANG				2019/12/20																																	
1 PLACE		± 0.25		INITIAL REVISION:																																					
0 PLACES		\pm		DRWN: LLU20				2017/07/20																																	
				APPR: RCHEN08				2017/08/15																																	
DRAFT WHERE APPLICABLE MUST REMAIN WITHIN DIMENSIONS			THIRD ANGLE PROJECTION		DRAWING		SERIES		MATERIAL NUMBER																																
					D-SIZE		203152		SEE P/N TABLE																																
DOCUMENT STATUS			P1		RELEASE DATE		2019/12/20		10:48:45																																
<table border="1"> <tr> <td colspan="4">DOCUMENT NUMBER</td> <td colspan="2">DOC TYPE</td> <td colspan="2">DOC PART</td> <td colspan="2">REVISION</td> </tr> <tr> <td colspan="4">2031521201</td> <td colspan="2">PSD</td> <td colspan="2">ASY</td> <td colspan="2">D2</td> </tr> <tr> <td colspan="4">GENERAL MARKET</td> <td colspan="2">CUSTOMER</td> <td colspan="2">SHEET NUMBER</td> <td colspan="2">3 OF 7</td> </tr> </table>												DOCUMENT NUMBER				DOC TYPE		DOC PART		REVISION		2031521201				PSD		ASY		D2		GENERAL MARKET				CUSTOMER		SHEET NUMBER		3 OF 7	
DOCUMENT NUMBER				DOC TYPE		DOC PART		REVISION																																	
2031521201				PSD		ASY		D2																																	
GENERAL MARKET				CUSTOMER		SHEET NUMBER		3 OF 7																																	

PCB LAYOUT FOR BELLY TO BELLY MOUNTING



NOTE:
SEE SHEET 4 FOR
HOST CONNECTOR DETAIL
AND LED LOCATION DETAILS

- NOTES:
1. PADS AND VIAS GO TO CHASSIS GROUND. (RECOMMENDED PADS TO BE 2.00x4.00mm RECTANGLE.)
 2. RECOMMENDED THRU HOLE PLATING INCLUDES HASL, OSP, OR IMMERSION (GOLD, SILVER, OR TIN).
 3. CONNECTOR PAD LAYOUT PER QSFP-DD WILL ACCOMMODATE MOLEX CONNECTOR SERRIES 202718.

THIS DRAWING CONTAINS INFORMATION THAT IS PROPRIETARY TO MOLEX ELECTRONIC TECHNOLOGIES, LLC AND SHOULD NOT BE USED WITHOUT WRITTEN PERMISSION									
DIMENSION UNITS		SCALE		CURRENT REV DESC: SEE REVISION TABLE					
mm		4:1							
GENERAL TOLERANCES (UNLESS SPECIFIED)									
ANGULAR TOL		± 2.0°		EC NO: 629406					
4 PLACES		±		DRWN: JYEN01 2019/12/13					
3 PLACES		±		CHK'D: SCHIEN 2019/12/20					
2 PLACES		± 0.13		APPR: JCHIANG 2019/12/20					
1 PLACE		± 0.25		INITIAL REVISION:					
0 PLACES		±		DRWN: LLU20 2017/07/20					
				APPR: RCHEN08 2017/08/15					
DRAFT WHERE APPLICABLE MUST REMAIN WITHIN DIMENSIONS				THIRD ANGLE PROJECTION		DRAWING		SERIES	
				D-SIZE		203152		MATERIAL NUMBER	
						SEE P/N TABLE		CUSTOMER	
						GENERAL MARKET		SHEET NUMBER	
						4 OF 7			

molex

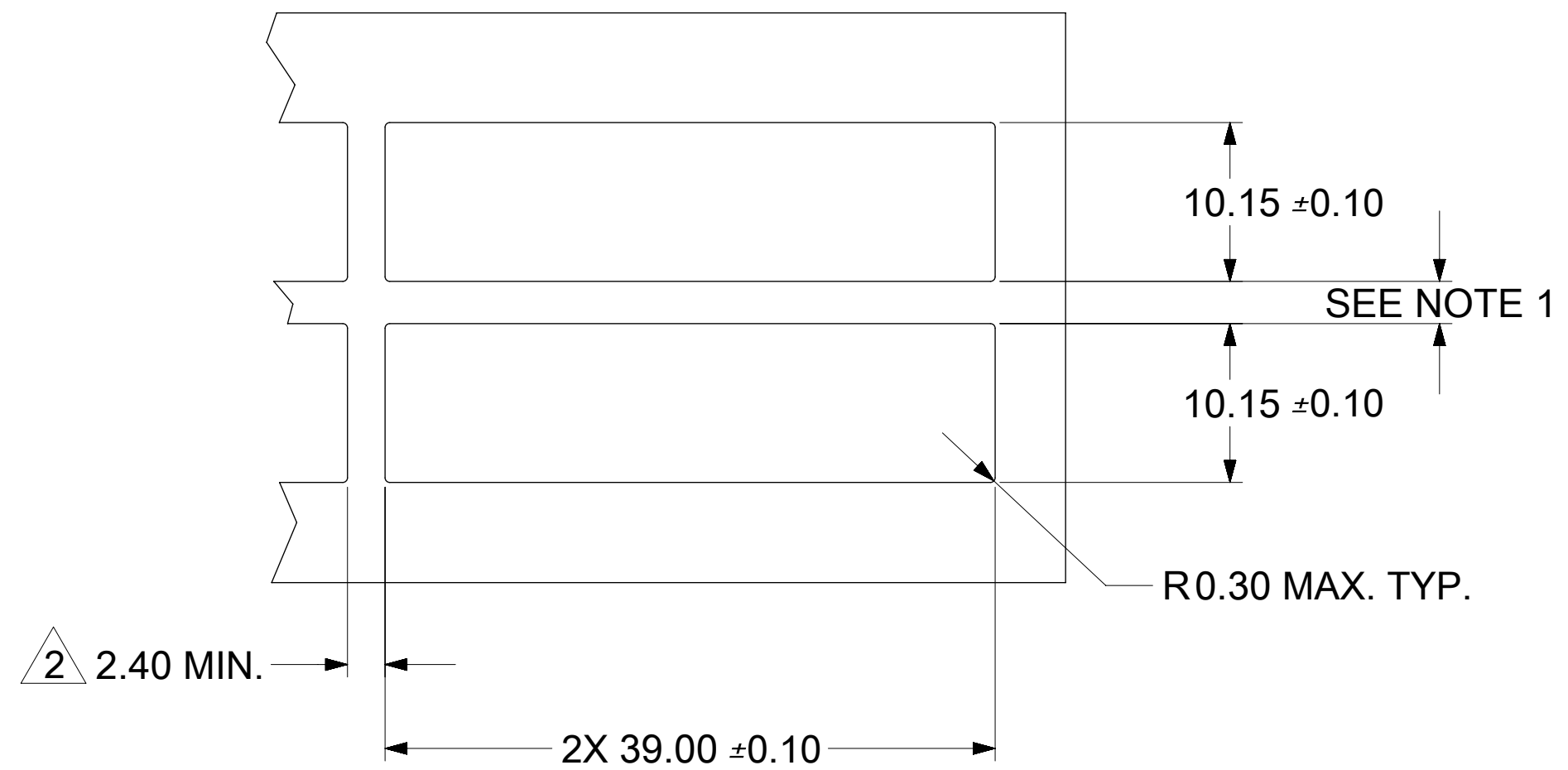
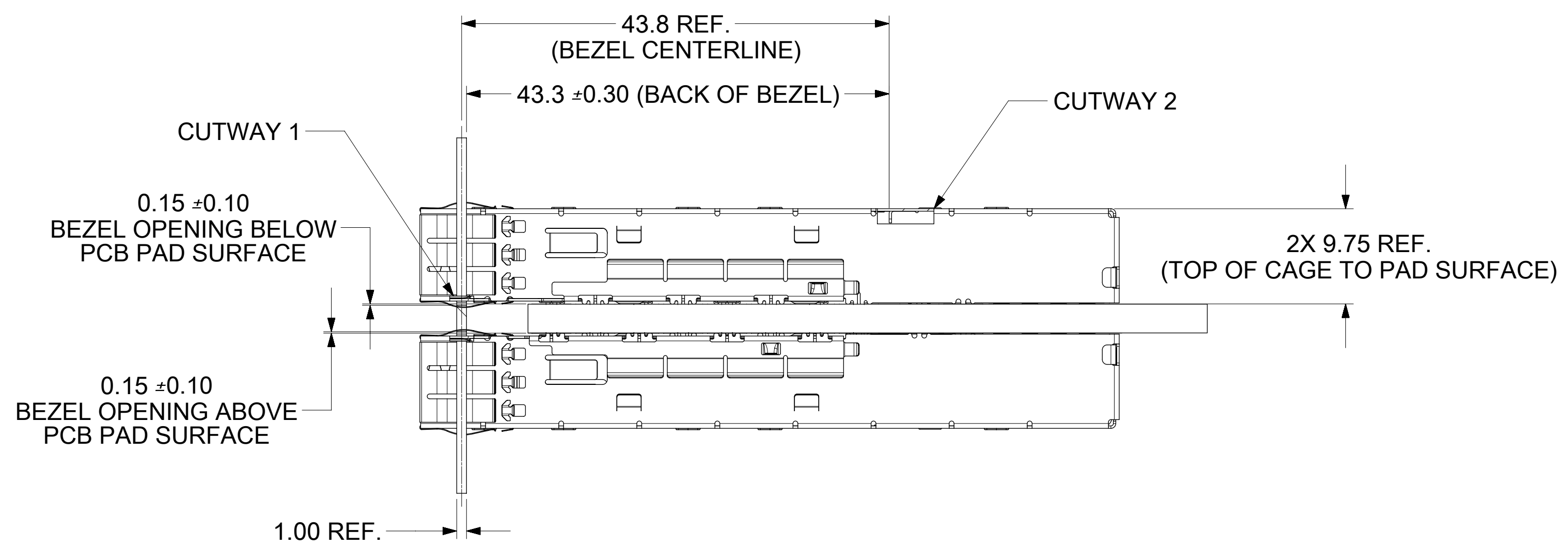
QSFP-DD 1X2 GANGED CAGE ASSY
SF WITH FIN H/S OPTIONS

PRODUCT CUSTOMER DRAWING

DOCUMENT NUMBER	DOC TYPE	DOC PART	REVISION
2031521201	PSD	ASY	D2

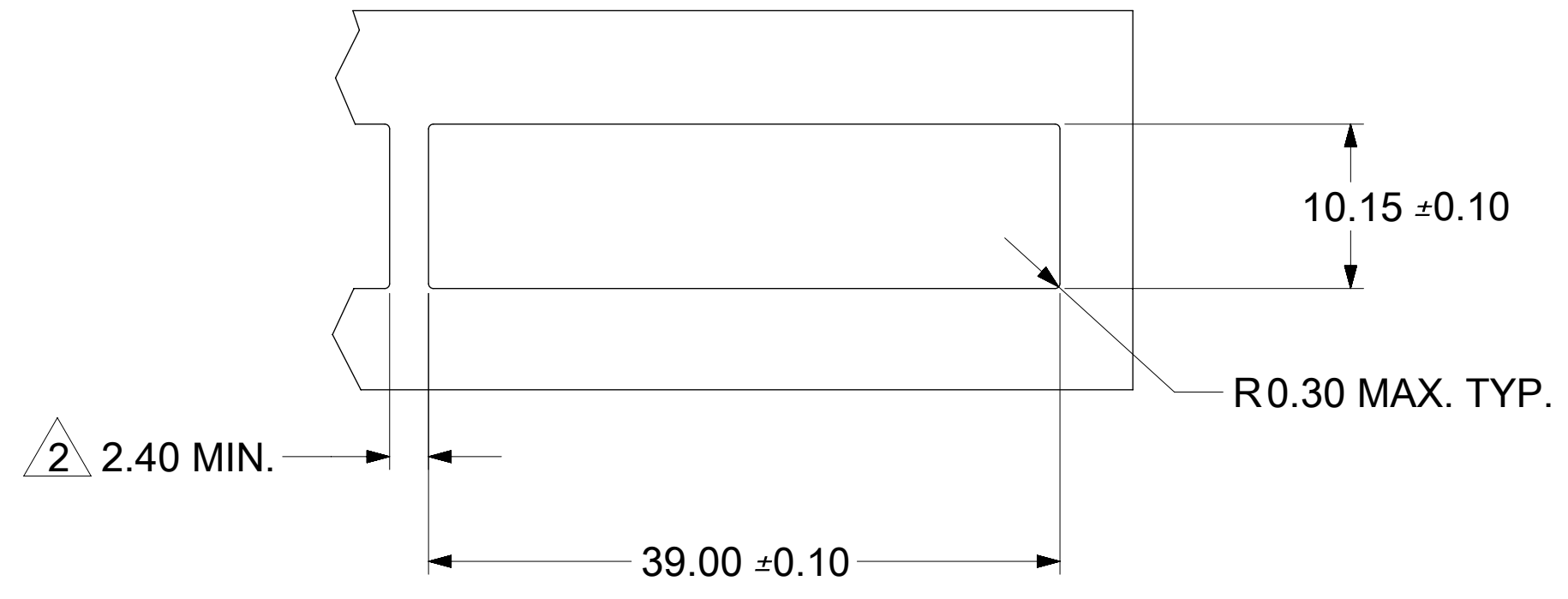
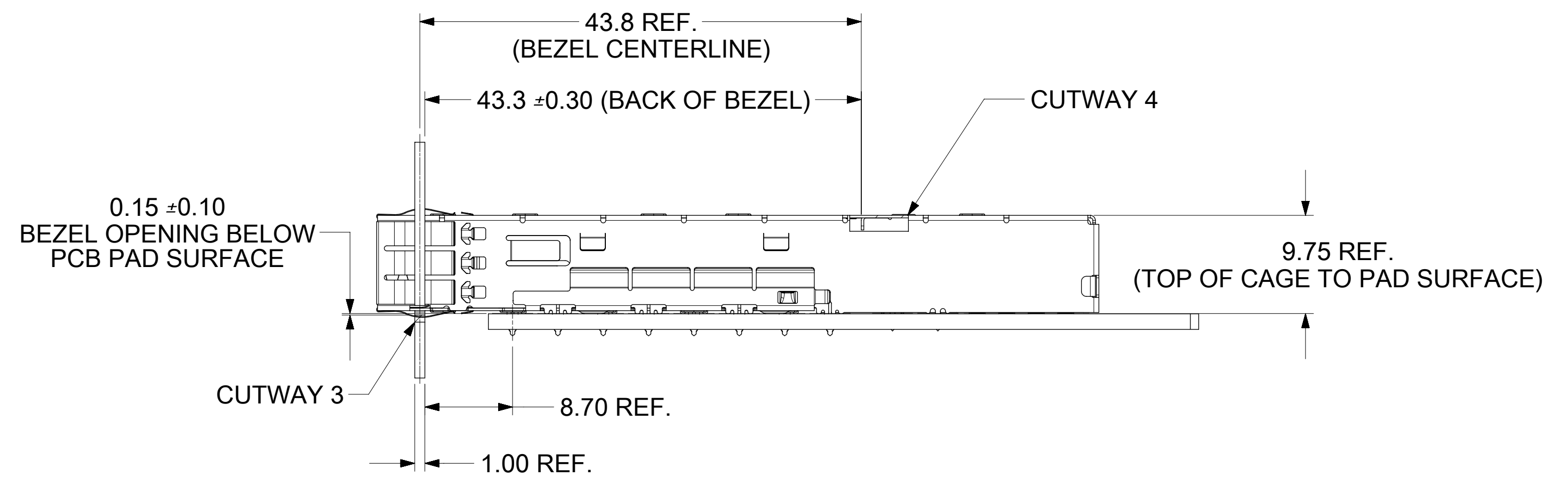
DOCUMENT STATUS	P1	RELEASE DATE	2019/12/20	10:48:45
-----------------	----	--------------	------------	----------

BEZEL AND BOARD POSITION DIMENSIONS FOR BELLY TO BELLY MOUNTING



NOTE:
 1. PCB THICKNESS VARIATION MUST BE CONSIDERED WHEN DETERMINING BEZEL OPENING LOCATION.
 2. THIS DIMENSION IS FOR REFERENCE ONLY. USER CAN MODIFY IT DEPENDS ON APPLICATION. (THIS DIMENSION VARIES BASED ON DISTANCE OF "HOLE OF ADJACENT CAGE" ON PCB LAYOUT.)

BEZEL AND BOARD POSITION DIMENSIONS FOR SINGLE SIDE MOUNTING



THIS DRAWING CONTAINS INFORMATION THAT IS PROPRIETARY TO MOLEX ELECTRONIC TECHNOLOGIES, LLC AND SHOULD NOT BE USED WITHOUT WRITTEN PERMISSION									
DIMENSION UNITS		SCALE		CURRENT REV DESC: SEE REVISION TABLE					
mm		2.5:1							
GENERAL TOLERANCES (UNLESS SPECIFIED)									
ANGULAR TOL		± 2.0°		EC NO: 629406					
4 PLACES		±		DRWN: JYEN01 2019/12/13					
3 PLACES		±		CHK'D: SCHIEN 2019/12/20					
2 PLACES		± 0.13		APPR: JCHIANG 2019/12/20					
1 PLACE		± 0.25		INITIAL REVISION:					
0 PLACES		±		DRWN: LLU20 2017/07/20					
				APPR: RCHEN08 2017/08/15					
DRAFT WHERE APPLICABLE MUST REMAIN WITHIN DIMENSIONS				THIRD ANGLE PROJECTION		DRAWING		SERIES	
						D-SIZE		203152	
				MATERIAL NUMBER		CUSTOMER		SHEET NUMBER	
				SEE P/N TABLE		GENERAL MARKET		5 OF 7	


molex

QSFP-DD 1X2 GANGED CAGE ASSY
SF WITH FIN H/S OPTIONS

PRODUCT CUSTOMER DRAWING

DOCUMENT NUMBER	DOC TYPE	DOC PART	REVISION
2031521201	PSD	ASY	D2

REV	DATE	DESCRIPTION
A	2017/07/25	INITIAL RELEASE
A1	2017/08/25	SHEET 3: G11: UPDATED OPEN TOP ISO VIEW.
A2	2017/09/27	MODIFIED THE DOCUMENT TYPE FROM RSD TO SD
B	2017/11/02	SHEET 4: H18: AS PER THE QSFP-DD MSA TO CORRECTED TP TOLERANCE FROM 0.1 TO 0.05mm. G10: AS PER THE QSFP-DD MSA TO ADDED TP TOLERANCE AS 0.05mm AND CHANGED 1.55REF. TO 1.55±0.05mm. SHEET 5: G17: AS PER THE QSFP-DD MSA TO CORRECTED TP TOLERANCE FROM 0.1 TO 0.05MM.
C	2018/03/21	SHEET 1: M17: ADDED DIMENSION 38.85 REF. SHEET 2: E04: ADDED A BACK VIEW. SHEET 4: J18: ADDED "17X" INTO DIMENSION 1.05mm. H11: CHANGED "TYP." TO "4X" OF DIMENSION 1.55mm. K14: AS PER THE QSFP-DD MSA TO ADDED BASIC DIMENSION 16.80 AND DATUM C. H14: UPDATED TRUE POSITION DATUM FROM A, K AND L TO A, L-K AND C. SHEET 5: H18: CHANGED "TYP." TO "29X" OF DIMENSION 1.05mm. K13: AS PER THE QSFP-DD MSA TO ADDED BASIC DIMENSION 16.80 AND DATUM C. H18: UPDATED TRUE POSITION DATUM FROM A, K AND L TO A, L-K AND C
C1	2018/05/16	SHEET 2: L10: CORRECTED TYPO OF PN FROM 2031431439 TO 2031431349
D	2019/05/02	OPEN TOP SERIES PRODUCT REALLOCATED TO DRAWING NUMBER 203152201; SHEET 3(E18) & SHEET4(E18) : UPDATE RECOMMEND PCB LAYOUT OF SURFACE TRACE KEEP-OUT ZONE.
D1	2019/07/09	SHEET 3: ADDED NEW P/NS(-2XXX, WITH RAISED BASE)
D2	2019/12/13	SHEET 6 : E4 & E13 : CHANGED R0.30 TYP. TO R0.30 MAX. TYP. SHEET 6 : H7 & H17 : CHANGED BEZEL THICKNESS FROM 1.60 REF. TO 1.00 REF. SHEET 6 : K6 & K16 : CHANGED FROM 43.0 ±0.3 TO 43.3 ±0.3 SHEET 6 : H7 : CHANGED FROM 8.40 REF. TO 8.70 REF.

THIS DRAWING CONTAINS INFORMATION THAT IS PROPRIETARY TO MOLEX ELECTRONIC TECHNOLOGIES, LLC AND SHOULD NOT BE USED WITHOUT WRITTEN PERMISSION									
DIMENSION UNITS	SCALE	CURRENT REV DESC: SEE REVISION TABLE							
mm	1:1								
GENERAL TOLERANCES (UNLESS SPECIFIED)									
ANGULAR TOL	± 2.0°	EC NO: 629406		QSFP-DD 1X2 GANGED CAGE ASSY SF WITH FIN H/S OPTIONS					
4 PLACES	±	DRWN: JYEN01 2019/12/13		PRODUCT CUSTOMER DRAWING					
3 PLACES	±	CHK'D: SCHIEN 2019/12/20							
2 PLACES	± 0.13	APPR: JCHIANG 2019/12/20		DOCUMENT NUMBER: 2031521201 DOC TYPE: PSD DOC PART: ASY REVISION: D2					
1 PLACE	± 0.25	INITIAL REVISION: DRWN: LLU20 2017/07/20							
0 PLACES	±	APPR: RCHEN08 2017/08/15		MATERIAL NUMBER: SEE P/N TABLE CUSTOMER: GENERAL MARKET SHEET NUMBER: 6 OF 7					
DRAFT WHERE APPLICABLE MUST REMAIN WITHIN DIMENSIONS		THIRD ANGLE PROJECTION							