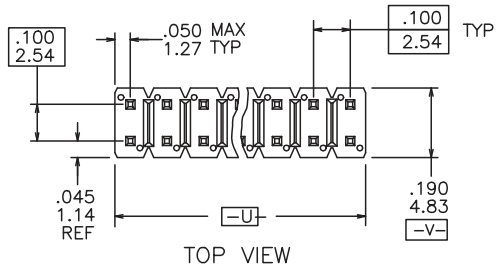


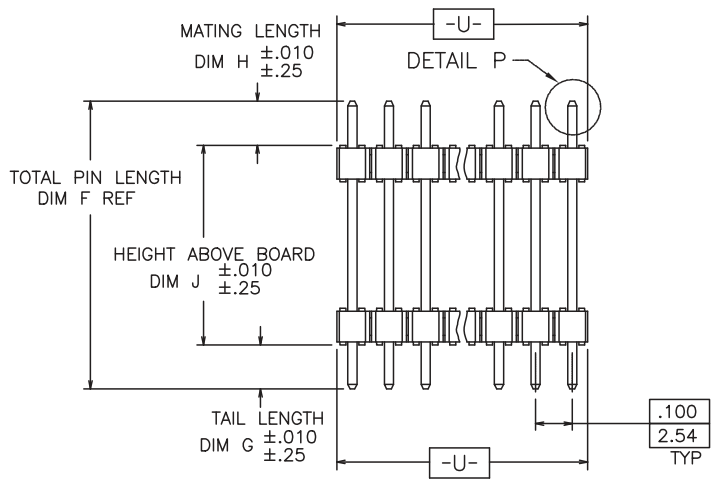
PRODUCT NUMBER

XXXXX-YYY HLF

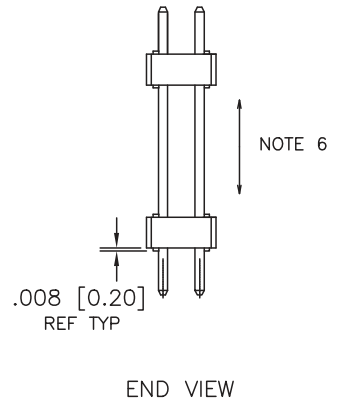
- LEAD FREE OPTION
SEE NOTE 1,7
- HIGH TEMPERATURE PLASTIC
SEE NOTE 1
- NO OF
POSITIONS
SEE NOTE 1
- PIN PLATING
SEE SHEET 2
- BASE PART NO.



TOP VIEW



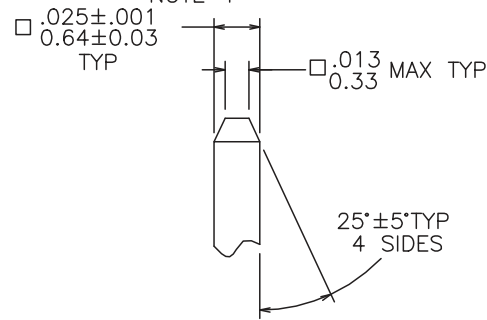
SIDE VIEW



END VIEW

⊕ ⌀.020/0.51 (M) U (M) V (S)

NOTE 4



DETAIL P
TYP BOTH ENDS

rev	ecn no	dr	date
CX	ELX-N-16105	ZK	2013-10-22
CS	N06-0165	MHT	7/04/06
CT	M06-0269	AEA	7/14/06
CU	M06-0307	MHT	8/08/06
CV	M08-0291	MHT	10/08/08
CW	N11-0118	J.Z	2011-04-13

www.fciconnect.com		surface 6.4 ISO 1302	tolerance std ISO 406 ISO 1101	projection A4	INCH/MM ↔
Dr T. BREWBAKER 1/31/95		TOLERANCES UNLESS OTHERWISE SPECIFIED		size A4	Scale 1.000
Eng T. HANNA 1/31/95	Chr T. HANNA 1/31/95	ANGULAR 0° ±2°	LINEAR 0.X ±0.3 0.XX ±0.15 0.XXX ±0.05	ECN	
Appr T. HANNA 1/31/95	Product family BERGSTIK		Spec ref		
title BERGSTIK® II HDR. D/R .100 CTR. R.R. TRACK			dwg no 78563	Rev. CX	
catalog no			CUSTOMER	sheet 1 of 7	



Copyright FCI.

1

2

3

4

PIN PLATING CODES:

XXXXX-1YY	30u"/0.76u MIN (SEE NOTE 8) OVER 50u"/1.27u MIN Ni	
XXXXX-2YY	15u"/0.38u MIN (SEE NOTE 8) OVER 50u"/1.27u MIN Ni	
XXXXX-3YY	50u"/1.27u MIN (SEE NOTE 8) OVER 50u"/1.27u MIN Ni	
XXXXX-4YY	TIN LEAD OPTION	120u"/3.05u MIN 93/7 SnPb OVER 50u"/1.27u MIN Ni
	LF OPTION	100u"/2.54u MIN Sn OVER 50u"/1.27u MIN Ni (SEE NOTE 1,9)
XXXXX-5YY	15u"/0.38u MIN (SEE NOTE 8) OVER 50u"/1.27u MIN Ni	
XXXXX-6YY	30u"/0.76u MIN (SEE NOTE 8) OVER 50u"/1.27u MIN Ni	
XXXXX-7YY	30u"/0.76u MIN (SEE NOTE 8) OVER 50u"/1.27u MIN Ni	
XXXXX-8YY	15u"/0.38u MIN (SEE NOTE 8) OVER 50u"/1.27u MIN Ni	
XXXXX-9YY	15u"/0.38u MIN (SEE NOTE 8) OVER 50u"/1.27u MIN Ni	
XXXXX-0YY	30u"/0.76u MIN (SEE NOTE 8) OVER 50u"/1.27u MIN Ni	

NOTES

① PART NUMBER OPTIONS:

PIN PLATING CODES (SEE ABOVE)

HIGH TEMP. MATERIAL:

FOR HIGH-TEMPERATURE APPLICATIONS, SPECIFY AN 'H' AT THE END OF THE PART NUMBER, AND PCT WILL BE SUPPLIED.

NUMBER OF POSITION:

ANY NUMBER OF POSITIONS FROM 4 (2X2) THRU 72 (2X36).

PACKAGING:

PACKAGED IN POLY BAGS.

LEAD FREE:

ADD 'HLF' SUFFIX AT THE END OF PART NUMBER FOR LEAD FREE OPTION, NOT AVAILABLE FOR -5YY,-5YYH,-6YY & -6YYH.

② BODY MATERIAL:

MANUFACTURER'S OPTION OF NYLON OR PCT, GLASS FIBER REINFORCED, FLAME RETARDENT PER UL-94V-0.

COLOR: BLACK OR

MINERAL FILLED LCP FLAME RETARDENT PER UL-94V-0.

COLOR: BLACK

PART NUMBERS WITH 'H' SUFFIX WILL WITHSTAND EXPOSURE TO 260°C PEAK TEMPERATURE FOR 20 SECONDS IN WAVE SOLDER, INFRA-RED OR VAPOR PHASE SOLDER PROCESS.

PART NUMBERS WITHOUT 'H' SUFFIX WILL WITHSTAND EXPOSURE TO 260°C PEAK TEMPERATURE FOR WAVE SOLDER PROCESS.

③ PIN MATERIAL: PHOS-BRONZE.

④ MEASURED WITH PART IN RESTRAINED CONDITION.

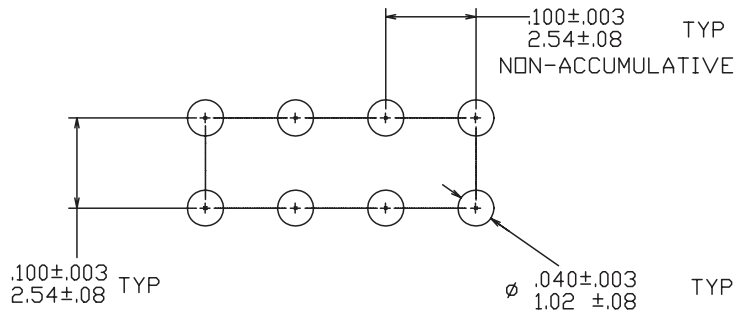
5. TWO SIDES OF PIN TIPS NOT PLATED. TYPICAL BOTH ENDS.

⑥ 2LBS/0.9KG MIN PIN RETENTION IN EITHER DIRECTION.

⑦ THESE PRODUCTS MEETS EUROPEAN UNION DIRECTIVES AND OTHER COUNTRY REGULATION AS DESCRIBED IN GS-22-008.

⑧ PLATING OPTIONS:
PERFORMANCE PLATING WILL BE EITHER GOLD OR GXT ON POST OR TAIL, OPTIONALLY (78~295u"/2~7.5u) TIN ON TAIL.

⑨ THIS PRODUCT HAS 100% TIN PLATING IN THE INTERFACE AND HAS NOT BEEN TESTED FOR WHISKER GROWTH IN ALL INTERCONNECT ENVIRONMENTS.

DOUBLE ROW
RECOMMENDED HOLE PATTERN

www.fciconnect.com		surface ISO 1302 ✓	tolerance std ISO 406 ISO 1101	projection INCH/MM
		TOLERANCES UNLESS OTHERWISE SPECIFIED		← →
Dr	T. BREWBAKER	1/31/95	ANGULAR	size A4
Eng	T. HANNA	1/31/95	LINEAR	Scale 1.000
Chr	T. HANNA	1/31/95	0° ±2°	ECN
Appr	T. HANNA	1/31/95	Product family	Spec ref
FCI title		BERGSTIK® II HDR. D/R .100 CTR. R.R. TRACK		dwg no 78563
catalog no		CUSTOMER		Rev. CX
				sheet 2 of 7

REV F - 2006-04-17

1

2

3

PDS: Rev :CX

STATUS:Released

4

Printed: Oct 29, 2013



Copyright FCI.

D

1

2

3

4

PRODUCT NUMBER	TOTAL PIN LGTH		TAIL LENGTH		MATING LENGTH		HEIGHT ABOVE BOARD		LF OPTION
	DIM F	DIM F	DIM G	DIM G	DIM H	DIM H	DIM J	DIM J	
	ENGLISH	METRIC	ENGLISH	METRIC	ENGLISH	METRIC	ENGLISH	METRIC	
58478-XXXH	0.808	20.52	0.120	3.05	0.268	6.81	0.420	10.67	OB
58479-XXXH	1.030	26.16	0.200	5.08	0.360	9.14	0.470	11.94	OB
60056-XXXH	0.425	10.80	0.150	3.81	0.065	1.65	0.210	5.33	OB
71282-XXXH	0.543	13.79	0.102	2.59	0.213	5.41	0.228	5.79	OB
71284-XXXH	0.920	23.37	0.122	3.10	0.372	9.45	0.426	10.82	OB
71285-XXXH	1.075	27.31	0.110	2.79	0.350	8.89	0.615	15.62	OB
71704-XXXH	1.145	29.08	0.354	8.99	0.354	8.99	0.437	11.10	OB
71725-XXXH	1.110	28.19	0.110	2.79	0.370	9.40	0.630	16.00	OB
71726-XXXH	1.380	35.05	0.315	8.00	0.315	8.00	0.750	19.05	OB
71728-XXXH	1.200	30.48	0.100	2.54	0.254	6.45	0.846	21.49	OB
71739-XXXH	0.945	24.00	0.110	2.79	0.110	2.79	0.725	18.42	OB
71741-XXXH	1.340	34.04	0.110	2.79	0.330	8.38	0.900	22.86	OB
71758-XXXH	1.123	28.52	0.394	10.01	0.394	10.01	0.335	8.51	OB
71797-XXXH	0.705	17.91	0.125	3.18	0.240	6.10	0.340	8.64	OB
72302-XXXH	1.176	29.87	0.100	2.54	0.230	5.84	0.846	21.49	OB
72307-XXXH	0.880	22.35	0.250	6.35	0.330	8.38	0.300	7.62	NOTE 1,7
72334-XXXH	0.775	19.69	0.120	3.05	0.230	5.84	0.425	10.80	OB
72335-XXXH	1.250	31.75	0.120	3.05	0.230	5.84	0.900	22.86	OB
72345-XXXH	0.630	16.00	0.100	2.54	0.230	5.84	0.300	7.62	OB
72320-XXXH	1.158	29.41	0.100	2.54	0.290	7.37	0.768	19.51	OB
72431-XXXH	1.150	29.21	0.262	6.65	0.262	6.65	0.626	15.90	OB
72461-XXXH	1.190	30.23	0.090	2.29	0.350	8.89	0.750	19.05	OB
72471-XXXH	1.286	32.66	0.130	3.30	0.406	10.31	0.750	19.05	OB
72509-XXXH	1.370	34.80	0.235	5.97	0.235	5.97	0.900	22.86	OB
72514-XXXH	1.220	30.99	0.120	3.05	0.350	8.89	0.750	19.05	OB
72521-XXXH	0.900	22.86	0.200	5.08	0.300	7.62	0.400	10.16	OB
73428-XXXH	1.330	33.78	0.330	8.38	0.727	18.47	0.273	6.93	OB
73500-XXXH	0.870	22.10	0.300	7.62	0.300	7.62	0.270	6.86	OB

A

B

C

D

A

B

C

D



Copyright FCI.

www.fciconnect.com		surface ISO 1302 <input checked="" type="checkbox"/>	tolerance std ISO 406 ISO 1101	projection 	INCH/MM ← →
		TOLERANCES UNLESS OTHERWISE SPECIFIED		size A4	Scale 1.000
Dr	T. BREWBAKER	1/31/95	ANGULAR		
Eng	T. HANNA	1/31/95	LINEAR	0.XX	±0.15
Chr	T. HANNA	1/31/95	0° ±2°	0.XXX	±0.05
Appr	T. HANNA	1/31/95	Product family	BERGSTIK	Spec ref
	title	BERGSTIK® II HDR. D/R .100 CTR. R.R. TRACK		no dwg no	78563
	catalog no			CUSTOMER	sheet 3 of 7

REV F - 2006-04-17

1

2

3

4

PDS: Rev :CX

STATUS:Released

Printed: Oct 29, 2013

1

2

3

4

PRODUCT NUMBER	TOTAL PIN LGTH		TAIL LENGTH		MATING LENGTH		HEIGHT ABOVE BOARD		LF OPTION
	DIM F	DIM F	DIM G	DIM G	DIM H	DIM H	DIM J	DIM J	
	ENGLISH	METRIC	ENGLISH	METRIC	ENGLISH	METRIC	ENGLISH	METRIC	
73501-XYH	0.668	16.97	0.098	2.49	0.157	3.99	0.413	10.49	OB
73697-XYH	1.435	36.45	0.300	7.62	0.525	13.34	0.610	15.49	OB
73699-XYH	0.952	24.18	0.122	3.10	0.228	5.79	0.602	15.29	OB
74381-XYH	0.975	24.77	0.360	9.14	0.360	9.14	0.255	6.48	OB
74455-XYH	1.050	26.67	0.230	5.84	0.320	8.13	0.500	12.70	OB
74465-XYH	0.945	24.00	0.110	2.79	0.285	7.24	0.550	13.97	OB
74466-XYH	0.930	23.62	0.355	9.02	0.360	9.14	0.215	5.46	OB
74467-XYH	0.930	23.62	0.365	9.27	0.365	9.27	0.200	5.08	OB
74928-XYH	1.164	29.56	0.200	5.08	0.200	5.08	0.764	19.41	OB
74997-XYH	1.208	30.68	0.150	3.81	0.290	7.37	0.768	19.51	OB
78563-XY	0.930	23.62	0.340	8.64	0.340	8.64	0.250	6.35	OB
78564-XY	1.230	31.24	0.390	9.91	0.390	9.91	0.450	11.43	OB
78936-XY	0.785	19.94	0.120	3.05	0.120	3.05	0.545	13.84	OB
78937-XY	0.490	12.45	0.120	3.05	0.120	3.05	0.250	6.35	OB
84693-XYH	0.975	24.77	0.380	9.65	0.380	9.65	0.215	5.46	OB
84819-XYH	0.730	18.54	0.110	2.79	0.170	4.32	0.450	11.43	OB
84950-XYH	1.250	31.75	0.120	3.05	0.350	8.89	0.780	19.81	OB
86816-XY	0.925	23.50	0.120	3.05	0.120	3.05	0.685	17.40	OB
86824-XY	0.760	19.30	0.120	3.05	0.250	6.35	0.390	9.91	OB
86826-XY	0.700	17.78	0.120	3.05	0.330	8.38	0.250	6.35	OB
86831-XY	0.525	13.34	0.100	2.54	0.225	5.72	0.200	5.08	OB
86869-XY	1.020	25.91	0.120	3.05	0.230	5.84	0.670	17.02	OB
87039-XY	1.240	31.50	0.120	3.05	0.120	3.05	1.000	25.40	OB
87053-XY	0.990	25.15	0.120	3.05	0.120	3.05	0.750	19.05	OB
87323-XY	1.375	34.93	0.219	5.56	0.406	10.31	0.750	19.05	OB

A

B

C

D

A

B

C

D



Copyright FCI.

www.fciconnect.com		surface ISO 1302 <input checked="" type="checkbox"/>	tolerance std ISO 406 ISO 1101	projection 	INCH/MM ←→
		TOLERANCES UNLESS OTHERWISE SPECIFIED			Scale 1.000
Dr	T. BREWBAKER	1/31/95	ANGULAR	0.X ±0.3	size A4
Eng	T. HANNA	1/31/95	LINEAR	0.XX ±0.15	
Chr	T. HANNA	1/31/95	0° ±2°	0.XXX ±0.05	ECN
Appr	T. HANNA	1/31/95	Product family	BERGSTIK	Spec ref
	title	BERGSTIK® II HDR. D/R .100 CTR. R.R. TRACK		no dwg no	78563
	catalog no			CUSTOMER	Rev. CX
				sheet 4 of 7	

REV F - 2006-04-17

1

2

3

4

PDS: Rev :CX

STATUS:Released

Printed: Oct 29, 2013

	1		2		3		4		LF OPTION		
	PRODUCT NUMBER		TOTAL PIN LGTH		TAIL LENGTH		MATING LENGTH			HEIGHT ABOVE BOARD	
	DIM F	DIM F	DIM G	DIM G	DIM H	DIM H	DIM J	DIM J			
	ENGLISH	METRIC	ENGLISH	METRIC	ENGLISH	METRIC	ENGLISH	METRIC			
A	87324 -XY	1.218	30.94	0.406	10.31	0.406	10.31	0.406	10.31	OB	
	87346 -XY	0.930	23.62	0.100	2.54	0.330	8.38	0.500	12.70	OB	
	87347 -XY	0.890	22.61	0.110	2.79	0.280	7.11	0.500	12.70	OB	
	87501 -XYH	1.230	31.24	0.330	8.38	0.100	2.54	0.800	20.32	OB	
	87511 -XYH	1.130	28.70	0.105	2.67	0.325	8.26	0.700	17.78	OB	
	87512 -XYH	1.030	26.16	0.120	3.05	0.410	10.41	0.500	12.70	OB	
	87571 -XYH	0.930	23.62	0.250	6.35	0.250	6.35	0.430	10.92	OB	
	87594 -XY	1.190	30.23	0.200	5.08	0.120	3.05	0.870	22.10	OB	
	87887 -XY	0.940	23.88	0.120	3.05	0.395	10.03	0.425	10.80	OB	
	87899 -XY	1.040	26.42	0.120	3.05	0.370	9.40	0.550	13.97	OB	
B	89444 -XY	0.930	23.62	0.120	3.05	0.310	7.87	0.500	12.70	OB	
	89637 -XY	1.260	32.00	0.118	3.00	0.315	8.00	0.827	21.01	OB	
	89638 -XY	1.040	26.42	0.120	3.05	0.270	6.86	0.650	16.51	OB	
	90237 -XY	0.813	20.65	0.120	3.05	0.318	8.08	0.375	9.53	OB	
	90608 -XY	0.595	15.11	0.120	3.05	0.255	6.48	0.220	5.59	OB	
	90806 -XY	1.400	35.56	0.360	9.14	0.200	5.08	0.840	21.34	OB	
	91507 -XYH	0.610	15.49	0.120	3.05	0.240	6.10	0.250	6.35	OB	
	91508 -XYH	0.888	22.56	0.120	3.05	0.500	12.70	0.268	6.81	OB	
	91509 -XYH	1.260	32.00	0.120	3.05	0.500	12.70	0.640	16.26	OB	
	91510 -XYH	0.960	24.38	0.120	3.05	0.500	12.70	0.340	8.64	OB	
C	91862 -XYH	0.767	19.48	0.120	3.05	0.297	7.54	0.350	8.89	OB	
	91863 -XYH	0.792	20.12	0.120	3.05	0.297	7.54	0.375	9.53	OB	



Copyright FCI.

www.fciconnect.com		surface ISO 1302 <input checked="" type="checkbox"/>	tolerance std ISO 406 ISO 1101	projection 	INCH/MM ←→
		TOLERANCES UNLESS OTHERWISE SPECIFIED			Scale 1.000
Dr	T. BREWBAKER	1/31/95	ANGULAR	0.X	±0.3
Eng	T. HANNA	1/31/95	LINEAR	0.XX	±0.15
Chr	T. HANNA	1/31/95	0* #2*	0.XXX	±0.05
Appr	T. HANNA	1/31/95	Product family	BERGSTIK	Spec ref
	title	BERGSTIK® II HDR. D/R .100 CTR. R.R. TRACK		no	78563
	catalog no	CUSTOMER		Rev.	CX
				sheet 5 of 7	

REV F - 2006-04-17

1

2

3

4

PRODUCT NUMBER	TOTAL PIN LGTH		TAIL LENGTH		MATING LENGTH		HEIGHT ABOVE BOARD		LF OPTION
	DIM F	DIM F	DIM G	DIM G	DIM H	DIM H	DIM J	DIM J	
	ENGLISH	METRIC	ENGLISH	METRIC	ENGLISH	METRIC	ENGLISH	METRIC	
92002 -XYFH	0.980	24.89	0.120	3.05	0.410	10.41	0.450	11.43	OB
92012 -XYFH	0.940	23.88	0.090	2.29	0.350	8.89	0.500	12.70	OB
92013 -XYFH	1.450	36.83	0.120	3.05	0.330	8.38	1.000	25.40	OB
92094 -XYFH	1.030	26.16	0.180	4.57	0.180	4.57	0.670	17.02	OB
92628 -XYFH	1.160	29.46	0.120	3.05	0.230	5.84	0.810	20.57	OB
92900 -XYFH	0.470	11.94	0.110	2.79	0.110	2.79	0.250	6.35	OB
93223 -XYFH	0.635	16.13	0.090	2.29	0.230	5.84	0.315	8.00	OB
94046 -XYFH	0.620	15.75	0.120	3.05	0.250	6.35	0.250	6.35	OB
94082 -XYFH	0.838	21.29	0.120	3.05	0.318	8.08	0.400	10.16	OB
94083 -XYFH	1.398	35.51	0.120	3.05	0.318	8.08	0.960	24.38	OB
94084 -XYFH	0.775	19.69	0.130	3.30	0.265	6.73	0.380	9.65	OB
94085 -XYFH	0.825	20.96	0.130	3.30	0.265	6.73	0.430	10.92	OB
94550 -XYFH	1.110	28.19	0.125	3.18	0.300	7.62	0.685	17.40	OB
94551 -XYFH	1.120	28.45	0.415	10.54	0.415	10.54	0.290	7.37	OB
94552 -XYFH	1.230	31.24	0.110	2.79	0.205	5.21	0.915	23.24	OB
94553 -XYFH	1.230	31.24	0.120	3.05	0.310	7.87	0.800	20.32	OB
94554 -XYFH	1.250	31.75	0.120	3.05	0.330	8.38	0.800	20.32	OB
94555 -XYFH	1.270	32.26	0.385	9.78	0.385	9.78	0.500	12.70	OB
94605 -XYFH	0.830	21.08	0.110	2.79	0.270	6.86	0.450	11.43	OB
94620 -XYFH	1.002	25.45	0.120	3.05	0.382	9.70	0.500	12.70	OB
94621 -XYFH	0.590	14.99	0.100	2.54	0.260	6.60	0.230	5.84	OB
94632 -XYFH	1.040	26.42	0.110	2.79	0.305	7.75	0.625	15.88	OB
94672 -XYFH	0.750	19.05	0.120	3.05	0.335	8.51	0.295	7.49	OB
95036 -XYFH	1.304	33.12	0.290	7.37	0.290	7.37	0.724	18.39	OB
95063 -XYFH	0.902	22.91	0.135	3.43	0.330	8.38	0.437	11.10	OB
95064 -XYFH	0.630	16.00	0.220	5.59	0.120	3.05	0.290	7.37	OB
95088 -XYFH	1.100	27.94	0.300	7.62	0.300	7.62	0.500	12.70	OB

A

B

C

D

A

B

C

D



Copyright FCI.

www.fciconnect.com		surface ISO 1302 <input checked="" type="checkbox"/>	tolerance std ISO 406 ISO 1101	projection 	INCH/MM ←→
TOLERANCES UNLESS OTHERWISE SPECIFIED		ANGULAR	LINEAR	size A4	Scale 1.000
Dr T. BREWBAKER	1/31/95	0°	±2°	0.X	±0.3
Eng T. HANNA	1/31/95	0.XX	±0.15	0.XXX	±0.05
Chr T. HANNA	1/31/95	Product family BERGSTIK		ECN Spec ref	
Appr T. HANNA	1/31/95	Product family BERGSTIK		Spec ref	
	title	BERGSTIK® II HDR. D/R .100 CTR. R.R. TRACK		dwg no	78563
	catalog no	CUSTOMER		Rev.	CX
				sheet 6 of 7	

REV F - 2006-04-17

1

2

3

4

PDS: Rev :CX

STATUS:Released

Printed: Oct 29, 2013