

THIS DRAWING IS UNPUBLISHED. RELEASED FOR PUBLICATION
 © COPYRIGHT 19 BY AMP INCORPORATED. ALL INTERNATIONAL RIGHTS RESERVED.

| LOC | DIST | P | F | REVISIONS | | | | |
|-----|------|---|---|-----------|-----|----------------------------|-----------|------|
| | | | | ZONE | LTR | DESCRIPTION | DATE | APPD |
| BD | 48 | | | | H | REV PER ECN BD4814 | 05/31/91 | - |
| | | | | | J | REVISED PER ECN BD6133 | 04/02/92 | TMS |
| | | | | | K | ADDED -4 PER NPR 4258 | 07/09/92 | SB |
| | | | | | L | ADDED -5 PER EC 0020-40-95 | 01/18/95 | JS |
| | | | | | M | REV PER EC 0020-373-95 | 04/25/95 | JS |
| | | | | | N | REV PER EC 0020-602-95 | 06/13/95 | JS |
| | | | | | P | OBS -2 PER EC 0020-524-96 | 23 AUG 96 | LF |
| | | | | | R | OBS -5 PER EC 0420-145-96 | 18 SEP 97 | SB |

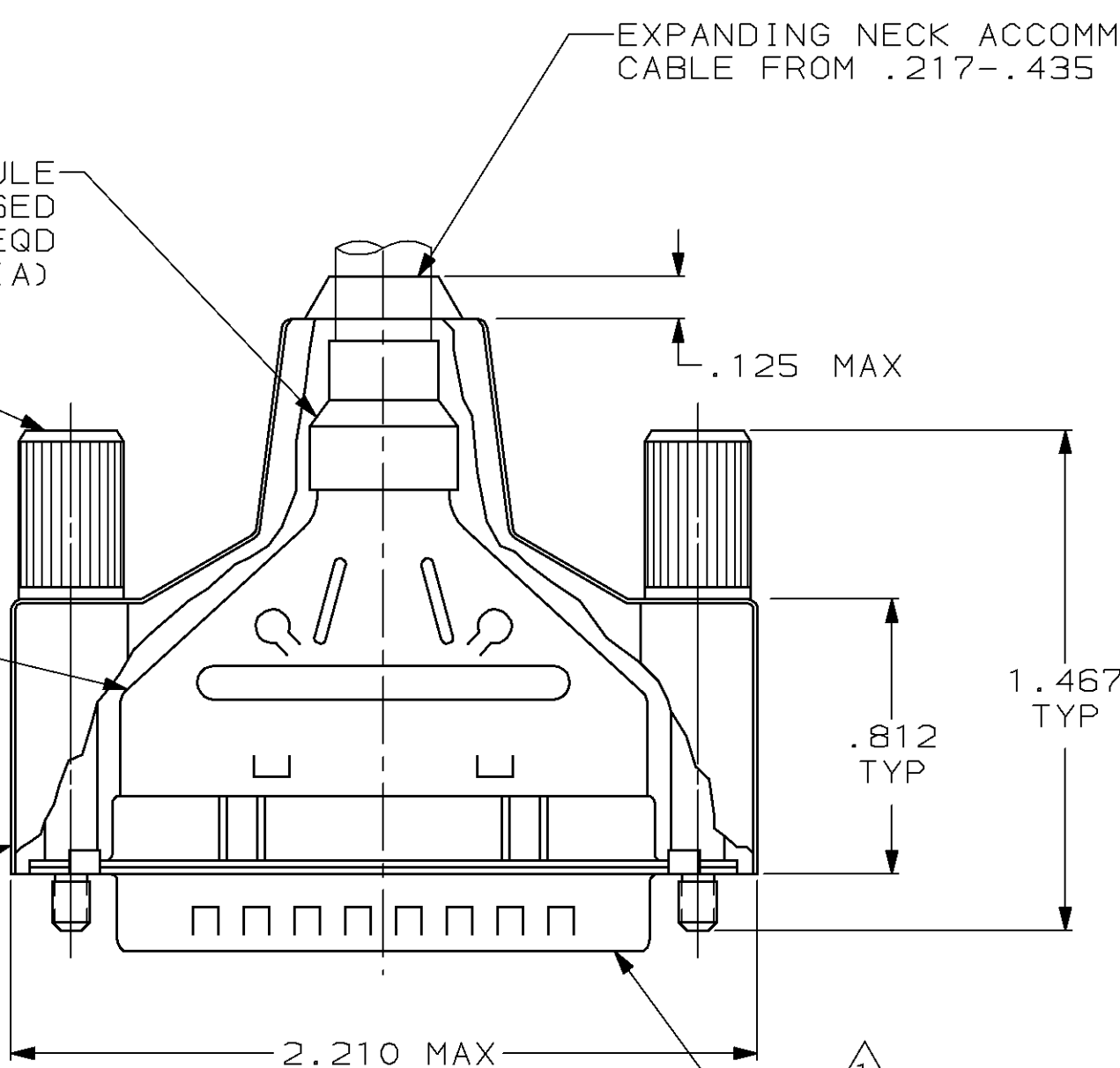
EXPANDING NECK ACCOMMODATES
CABLE FROM .217-.435 DIA

FERRULE
(MUST BE PURCHASED
SEPARATELY AS REQD
BY CABLE DIA)

JACKSCREW
QTY:2

SHIELD
QTY:2

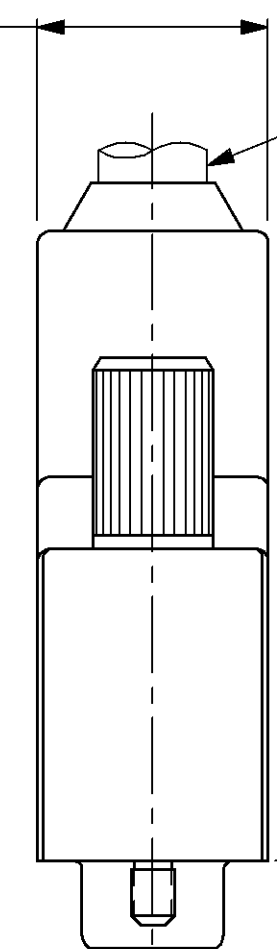
ENCLOSURE



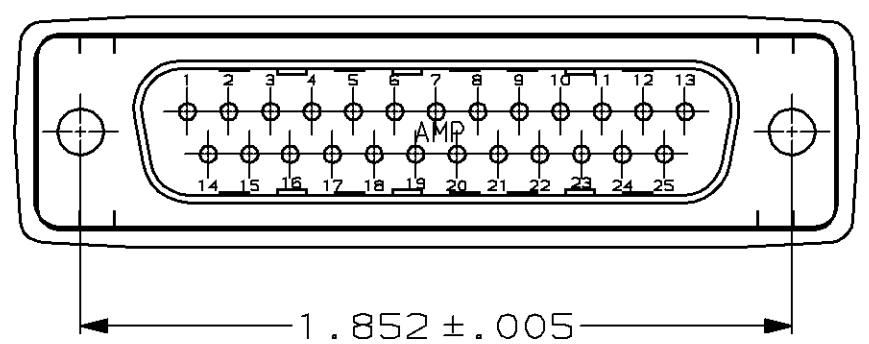
.630 MAX

CABLE
REF

1.660 MAX



HDP-20 PLUG CONNECTOR



- 1 PLUG ACCEPTS SIZE 20 DF PIN CONTACTS. CONTACTS MUST BE PURCHASED SEPARATELY.
- 2. ALL PARTS SHIPPED UNASSEMBLED.
- 3 FLAME RETARDANT 94V-0 RATED, STYRENE POLYOLEFIN OR PVC, BLACK.
- 4 FLAME RETARDANT 94V-0 RATED GLASS FILLED, NYLON OR POLYESTER, BLACK.
- 5 STEEL PER ASTM A109.
- 6 TIN PLATING PER MIL-T-10727.
- 7 BODY: BLACK ELECTROLESS NICKEL PER QQ-N-290.
- 8 COMPONENTS INDIVIDUALLY BULK PACKED.
- 9 INDIVIDUAL KIT PACKAGING OF COMPONENTS.
- 10 SEE RESTRICTED CUSTOMER DRAWING 747956-4.
- 11 ZINC ALLOY.
- 12 BODY: CARBON STEEL PER ASTM A 108. HEAD: PVC 94V-0 RATED, BLACK.
- 13 PHOS-E COATING, BLACK.

| | | | | | |
|-----------|---------|-------------------|---------------------|-------------|----------|
| OBSOLETE | 8 | W/LOGO | 7 | 12 | 747956-5 |
| OBSOLETE | 9 | W/LOGO | 13 | 11 | 747956-3 |
| OBSOLETE | 8 | W/OUT LOGO | 13 | 11 | 747956-2 |
| | 8 | W/LOGO | 13 | 11 | 747956-1 |
| PACKAGING | REMARKS | JACKSCREWS FINISH | JACKSCREWS MATERIAL | PART NUMBER | |

| | | |
|--|--|---|
| DO NOT SCALE PRINT. UNLESS SPECIFIED DIMENSIONS IN INCHES TOLERANCES ON : 2 PLC DEC ± - 3 PLC DEC ± .020 ANGLES ± - | DR 6-4-90 J GALLUCCI BG CHK 8-31-90 J.McCLINTON APPD 9-4-90 BOB TAYLOR APPD 9-4-90 J.ASSINI PRODUCT SPEC - APPLICATION SPEC - WEIGHT - | AMP INCORPORATED Harrisburg, Pa. 17105 NAME BULK KIT, PLUG, AMPLIMIT™, SHIELDING ENCLOSURE, 25 POSN, SIZE 3, HDP-20 SIZE C FSCM NO 00779 DRAWING NO 747956 SCALE 2:1 SHEET 1 OF 1 |
|--|--|---|