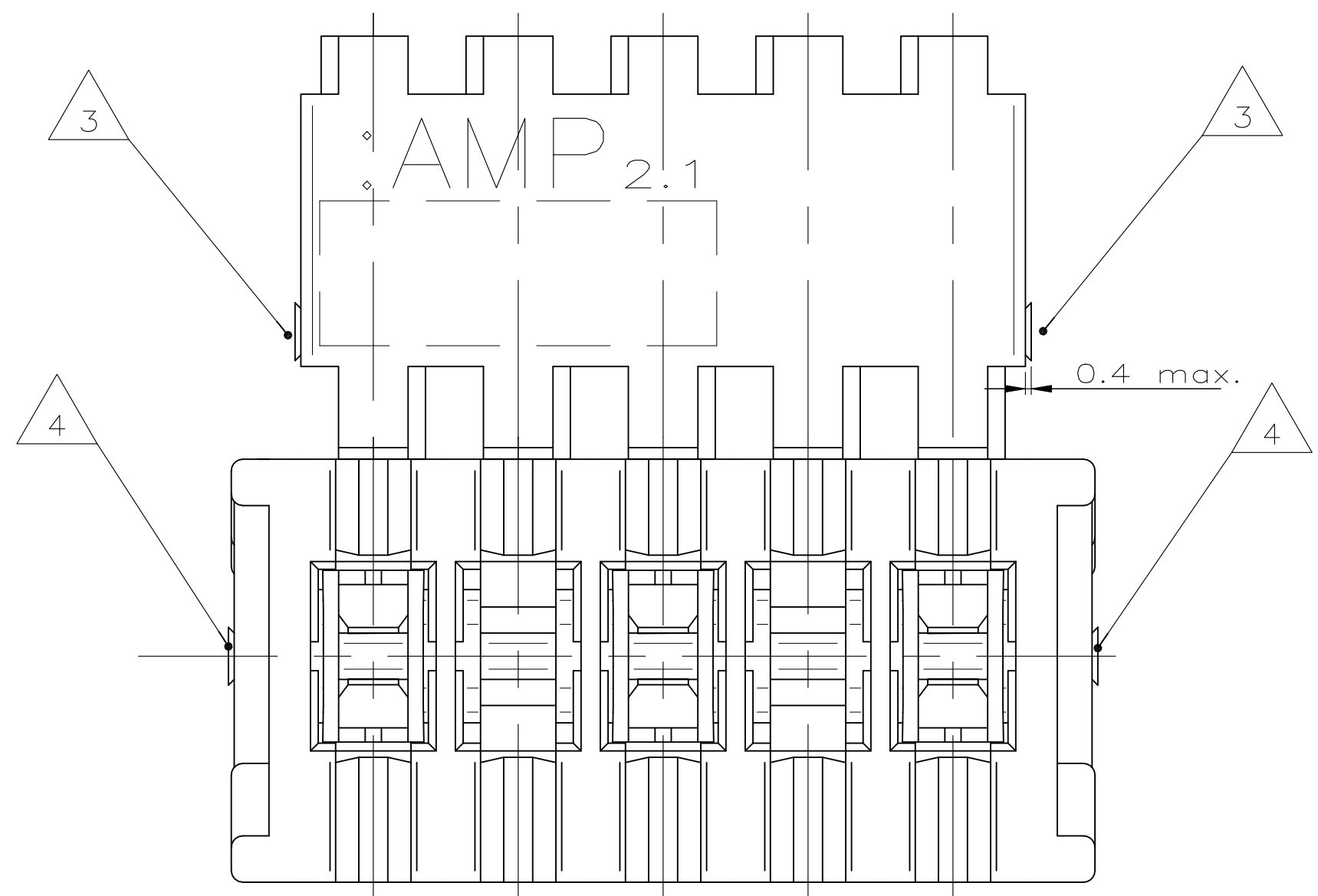
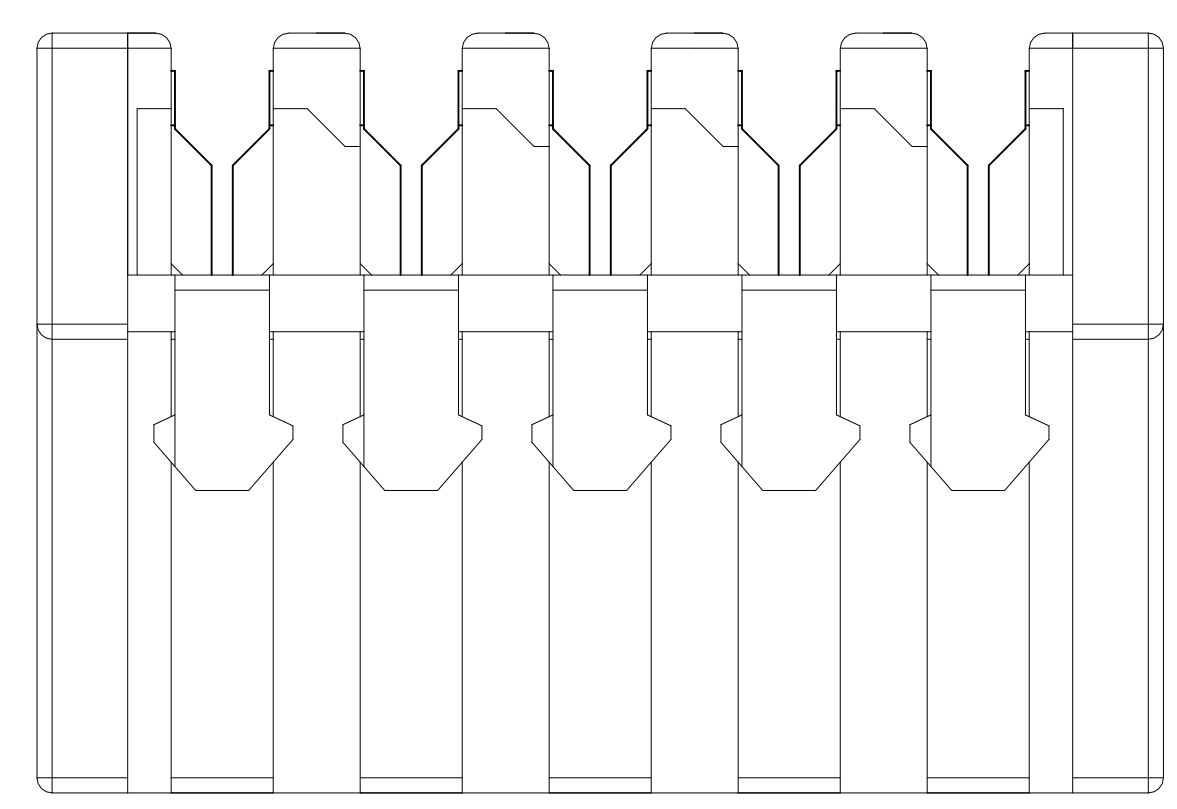
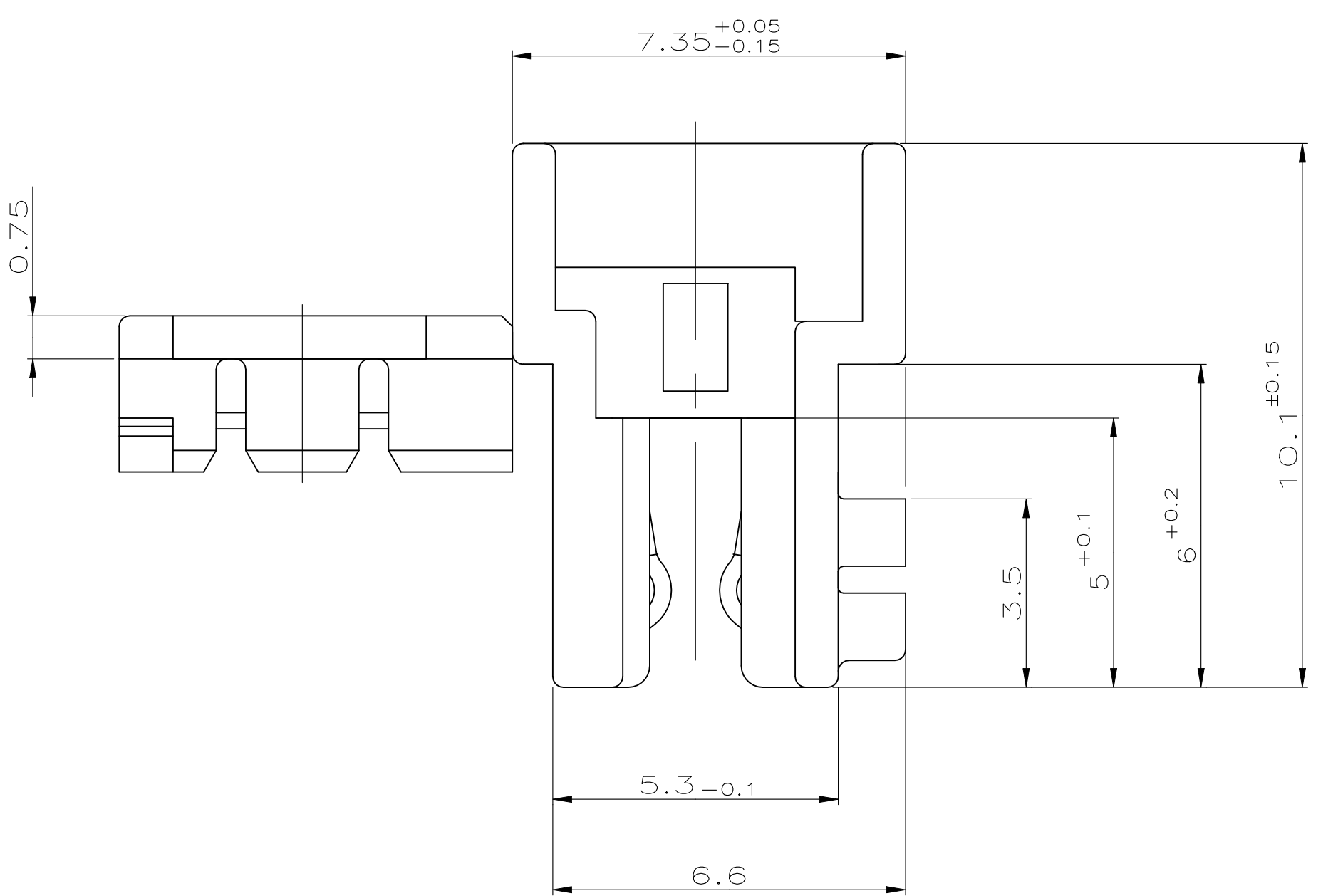
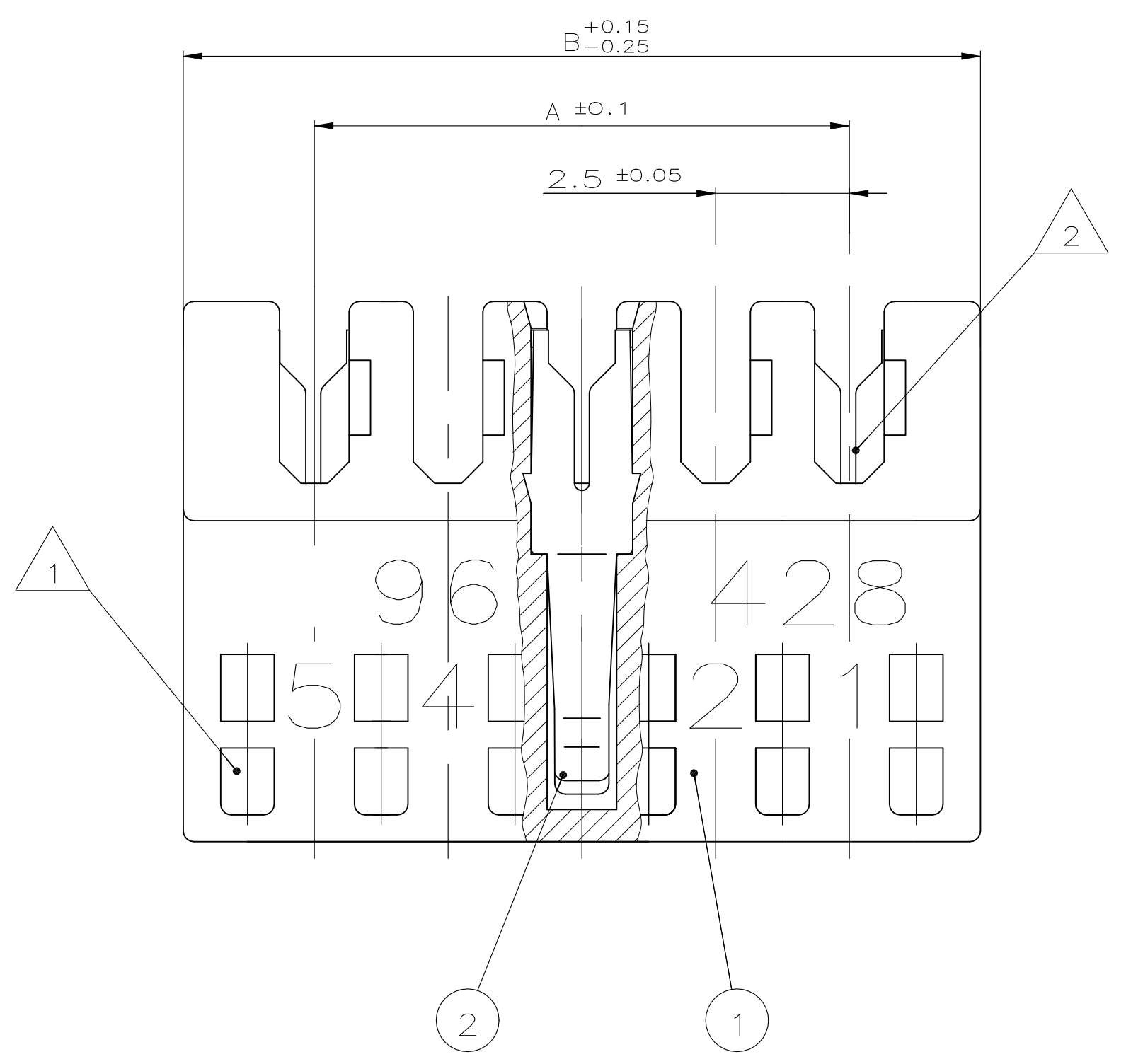


NICHT VERMASSTE KANTEN SIND NICHT MASSSTÄBLICH
 ÄNDERUNGEN DIE DEM TECHNISCHEM FORTSCHRITT DIENEN, BEHALTEN WIR UNS VOR

REVISIONS					
NO.	DATE	DESCRIPTION	BY	CHK	APPV
E	14APR2022	REVISED PER ECR-22-135817	PJ		FL
E1	20FEB2022	REVISED PER ECR-22-154590	SM		FL



- 11 PART RELEASED WITH PARTIAL VALIDATION AND PENDING AGENCY APPROVALS.
- 10 PRELIMINARY PART NOT YET RELEASED FOR PRODUCTION
- 9 PA GF, UL94-V0 & GWEPT 750 NO-FLAME, NATURAL
- 8 PBT GF
- 7 OBSOLETE PARTS: OBSOLETE CIS STREAMLINING PER D.RENAUD/D.SINISI
- 6 MATING PARTS:
 -TAB HEADER SEE DRAWING NO. 1971921 AND EQUIVALENTS.
 -PCB APPLICATION WITH FRAME SEE DRAWING 964 575
 -PCB APPLICATION WITHOUT FRAME SEE SPECIFICATION 108-18056
- 5 X ... CAVITY LOADED WITH CONTACT
 O ... CAVITY WITHOUT CONTACT
- 4 CUTTING AREA FROM PRODUCING PROCESS
- 3 -
- 2 WIRE RANGE DGB II (7xØ0.25=0.35mm²)
 SEE APPLICATION SPECIFICATION 114-18049-1
- 1 KEYING RIBS; CUTTING WITH THE TERMINATION MACHINE POSSIBLE

POS.	DIM A	DIM B	TE P/N	TE P/N
20	47.5	52.4	-	-
19	45.0	49.9	1-966-843-9	-
18	42.5	47.4	-	-
17	40.0	44.9	1-966-843-7	-
16	37.5	42.4	-	-
15	35.0	39.9	1-966-843-5	2319801-5
14	32.5	37.4	-	-
13	30.0	34.9	1-966-843-3	-
12	27.5	32.4	-	-
11	25.0	29.9	1-966-843-1	-
10	22.5	27.4	-	-
9	20.0	24.9	1-966-842-9	1-2311514-9
8	17.5	22.4	-	-
7	15.0	19.9	2-966-842-7	-
6	12.5	17.4	1-966-842-6	2311514-7
5	10.0	14.9	3-966-842-6	2311514-6
4	7.5	12.4	2-966-842-6	-
3	5.0	9.9	1-966-842-5	-
2	2.5	7.4	1-966-842-3	2-2311514-3
1	0.0	4.9	-	-

THIS DRAWING IS A CONTROLLED DOCUMENT.					DIMENSIONS: mm		TOLERANCES UNLESS OTHERWISE SPECIFIED:		DIN 9.11.95		ATZMANN 9.11.95	
SIEHE TABELLE	2	-	KONTAKT	CuSn	VORVERZINNT	0 PLC	±	-	0.1	ATZMANN	9.11.95	TE Connectivity
SEE TABLE	1	-	FEDERLEISTENGEHÄUSE	PBTP	NATUR	1 PLC	±	0.2	0.1	CHK	9.11.95	AMP DUOPLUG 2.5™ FEMALE CONNECTOR
BESTELL-NR.	POS.	STÜCK	BENENNUNG EINZELTEIL	WERKSTOFF	OBERFLÄCHE FARBE	2 PLC	±	-	0.1	APVD	-	3-20 POSITION, DGBII, SELECTIV LOADED
						3 PLC	±	-	0.1	PRODUCT SPEC	-	114-18049-1
						4 PLC	±	-	0.1	APPLICATION SPEC	-	SIZE A1
						ANGLES	±	1°	0	WEIGHT	0	CAGE CODE 00779
										DRAWING NO	966842	DRAWING NO 966842
										CUSTOMER DRAWING		SCALE 10:1
												SHEET 1 of 1
												REV E1