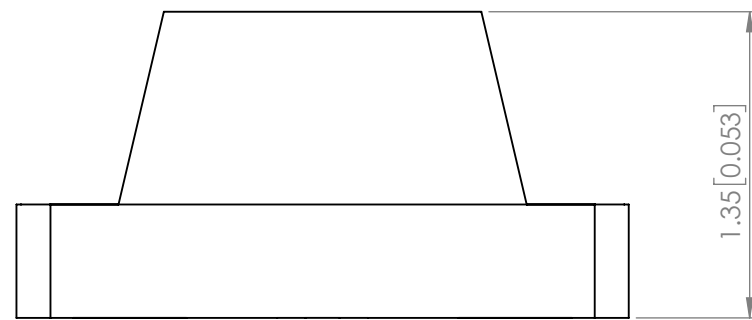
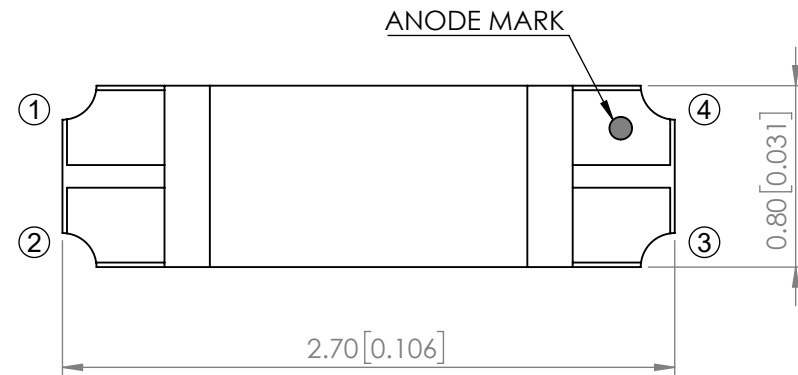
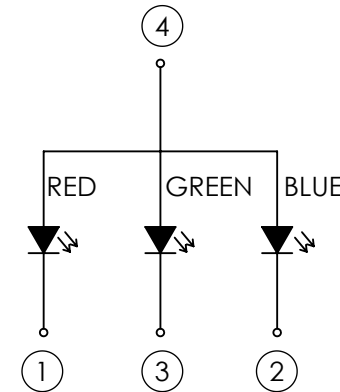


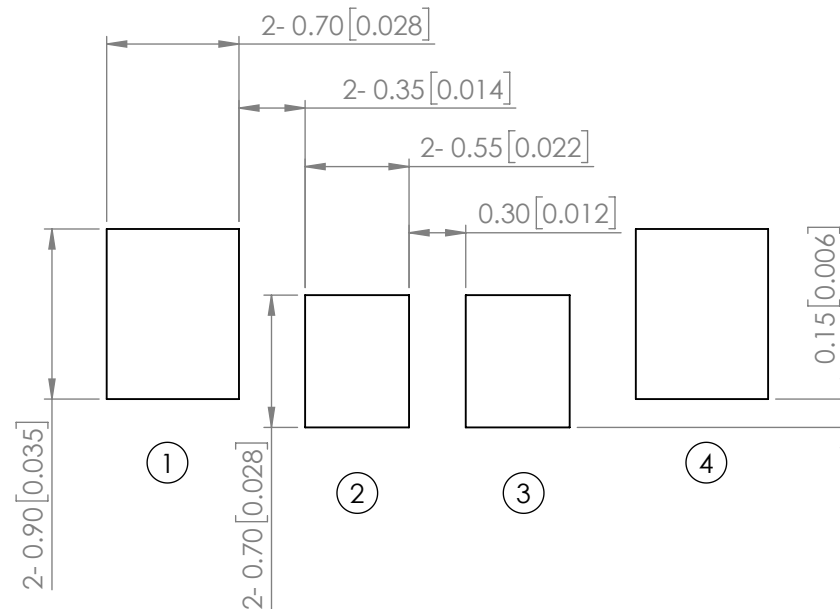
PART NUMBER		SML-LXR1003RGB-05	REV	B
REV	E.C.N. NUMBER AND REVISION COMMENTS			DATE
A	ECN-Lumex201900072			05.27.19
B	ECN-Lumex202000025			04.20.20



POLARITY



RECOMMENDED SOLDER PAD LAYOUT



ELECTRO-OPTICAL CHARACTERISTIC TA=25°C

PARAMETER		MIN	TYP	MAX	UNITS	TEST COND
PEAK WAVELENGTH	R	-	630	-	nm	If=5mA
	G	-	520	-		
	B	-	470	-		
FORWARD VOLTAGE	R	-	2.0	2.4	Vf	If=5mA
	G	-	2.8	3.2		
	B	-	2.8	3.2		
REVERSE CURRENT	R	-	-	10	uA	VR=5V
	G	-	-	10		
	B	-	-	10		
LUMINOUS INTENSITY	R	-	36	-	mcd	If=5mA
	G	-	127	-		
	B	-	36	-		
VIEWING ANGLE		-	130	-	2x theta1/2	-
EMITTED COLOR	RED / GREEN / BLUE					
EPOXY LENS FINISH	WATER CLEAR					

ABSOLUTE MAXIMUM RATINGS TA=25°C

PARAMETER	MAX	UNITS
PEAK FORWARD CURRENT (R/G/B)*	40 / 60 / 60	mA
FORWARD CURRENT (R/G/B)	20 / 20 / 20	mA
REVERSE VOLTAGE	5	V
POWER DISSIPATION (R/G/B)	48 / 64 / 64	mW
STORAGE TEMPERATURE	-40 TO +100	°C
OPERATING TEMPERATURE	-40 TO +85	°C
SOLDERING TEMPERATURE	3 SEC. MAX @ 260	°C

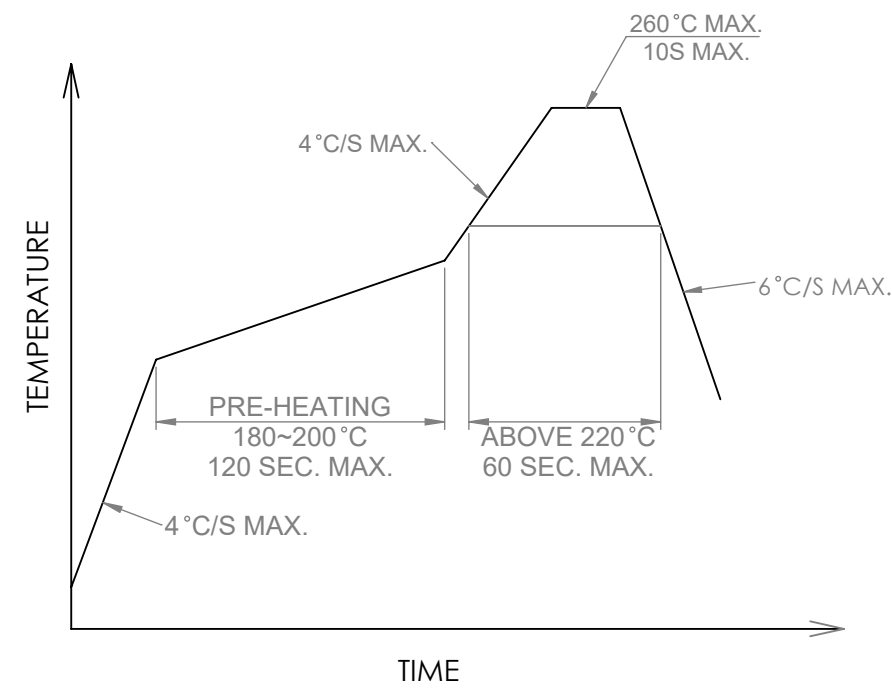
*t<10us

MOISTURE SENSITIVE DEVICE
PER JEDEC LEVEL 4 STANDARDS

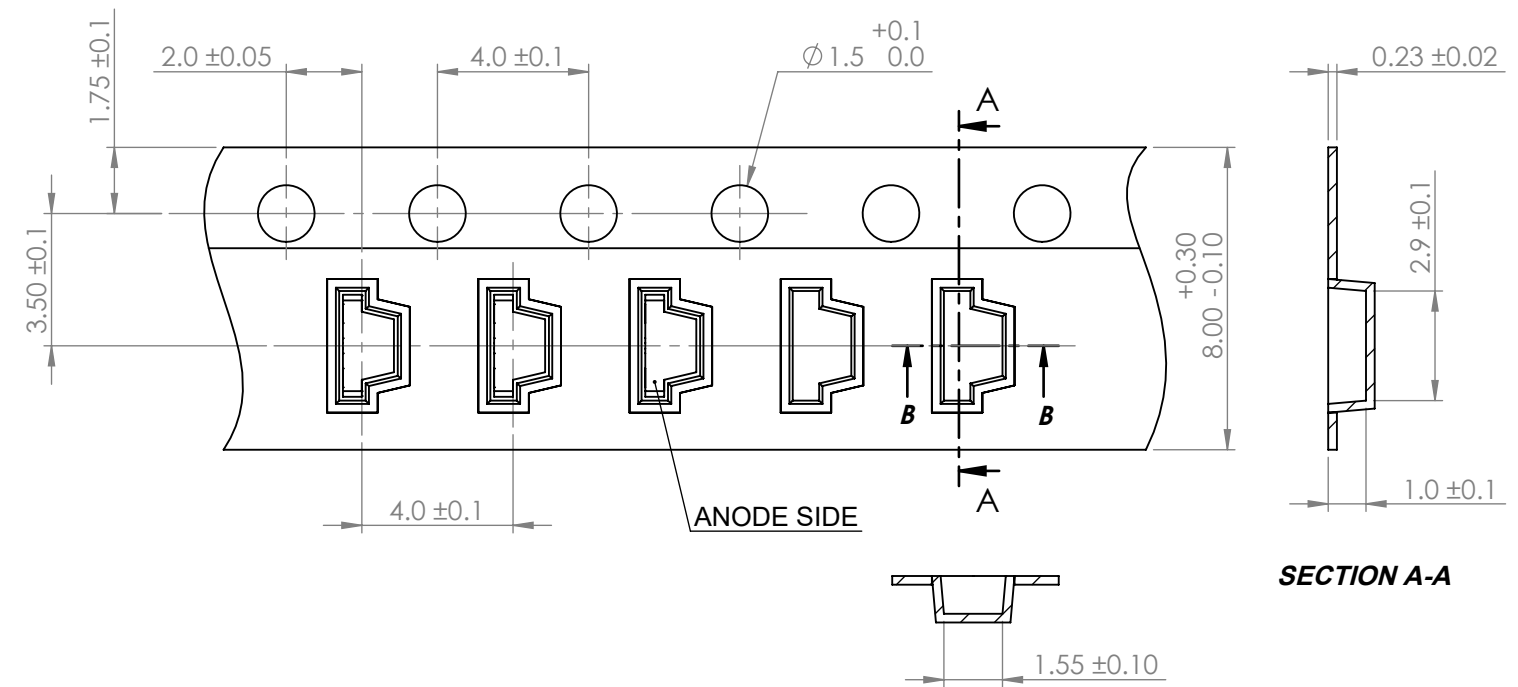
STATIC DEVICE FOLLOW PROPER
E.S.D. HANDLING PROCEDURES
WHEN WORKING WITH THIS PART

*UNLESS OTHERWISE SPECIFIED TOLERANCES PER DECIMAL PRECISION ARE: X=±1 (±0.039), X.X=±0.5 (±0.020), X.XX=±0.25 (±0.010), X.XXX=±0.127 (±0.005). LEAD SIZE=±0.05 (±0.002), LEAD LENGTH=±0.75 (±0.030). MIN= +DECIMAL PRECISION / -0.00, MAX= +0.00 / -DECIMAL PRECISION

PROFILE



CARRIER TAPE DIMENSION




SECTION A-A

SECTION B-B

NOTE:
1. 3000 PCS/REEL

*UNLESS OTHERWISE SPECIFIED TOLERANCES PER DECIMAL PRECISION ARE: X=±1 (±0.039), X.X=±0.5 (±0.020), X.XX=±0.25 (±0.010), X.XXX=±0.127 (±0.005). LEAD SIZE=±0.05 (±0.002), LEAD LENGTH=±0.75 (±0.030). MIN= ^{+DECIMAL PRECISION} / _{-0.00} MAX. = ^{+0.00} / _{-DECIMAL PRECISION}

 <p>425 N. GARY AVE. CAROL STREAM, IL 60188 PHONE : 800-278-5666 FAX : 630-315-2150 WEB : WWW.LUMEX.COM</p>	2.7(L)*0.8(W)*1.35(H)mm, SURFACE MOUNT LED, 630nm RED / 520nm GREEN / 470nm BLUE LED, WATER CLEAR LENS, TAPE & REEL, COMMON ANODE.	DATE : 2019.05.27	DRAWN BY : C.S.	
	THE SPECIFICATIONS MAY CHANGE AT ANY TIME WITHOUT NOTICE.	PAGE : 2 OF 2	CHKD BY : E.C.	
	CONFIDENTIAL INFORMATION THE INFORMATION CONTAINED IN THIS DOCUMENT IS THE PROPERTY OF LUMEX INC. EXCEPT AS SPECIFICALLY AUTHORIZED IN WRITING BY LUMEX INC., THE HOLDER OF THIS DOCUMENT SHALL KEEP ALL INFORMATION CONTAINED HEREIN CONFIDENTIAL AND SHALL PROTECT SAME IN WHOLE OR IN PART FROM DISCLOSURE AND DISSEMINATION TO ALL THIRD PARTIES.	SCALE : NTF	APRVD BY : G.Y.	
		UNIT : mm [INCH]		