

KJ Series

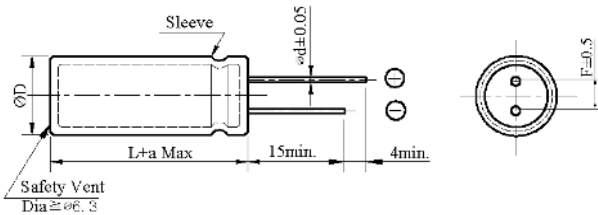
- Downsize and high ripple current
- Load life: 10,000 to 12,000 hours at 105°C
- For electronic ballast circuits and other long life applications



SPECIFICATIONS

Item	Performance Characteristics				
Category Temperature Range	-25 ~ +105°C				
Working Voltage Range	160 ~ 450Vdc				
Capacitance Range	6.8 ~ 560 µF				
Capacitance Tolerance	±20% (at 25°C and 120Hz)				
Dissipation Factor (tanδ) (at 25°C, 120Hz)	Rated Voltage (V)	160 ~ 250	350 ~ 450		
	tanδ(Max)	0.20	0.24		
Leakage Current	I=0.03CV + 10uA I : Leakage current (µA) C : Rated capacitance (µF) V : Rated voltage (V) Impress the rated voltage for 2 minutes				
Low Temperature Characteristics Impedance Ratio(MAX)	Rated voltage (V)	160~250	350	400	450
	Z(-25°C)/Z(+20°C)	4	4	4	6
Endurance	The following specifications shall be satisfied when the capacitors are restored to 25°C after subjected to DC voltage with the rated ripple current is applied for 12,000 (10,000 hours for Φ 10) hours at 105°C.				
	Capacitance change	≒ ±20% of the initial value			
	Dissipation factor(tanδ)	≒ 200% of the specified value			
	Leakage current	≒ specified value			
Shelf Life	The following requirements shall be satisfied when the capacitor are restored to 25°C after the rated voltage applied for 1,000 hours at 105°C without voltage applied.				
	Capacitance change	≒ ±20% of the initial value			
	Dissipation factor(tanδ)	≒ 200% of the specified value			
	Leakage current	≒ 500% of the specified value			
Others	Conforms to JIS-C-5101-4 (1998), characteristic W				

DIMENSIONS (mm)



ΦD	10	12.5	16	18
ΦD	ΦD + 0.5 Max			
Φd	0.6	0.6	0.8	0.8
F	5.0	5.0	7.5	7.5
a	L + 1.5 Max	≒ 35 L+1.5Max ≒ 40 L+2.0 Max		L + 1.5 Max

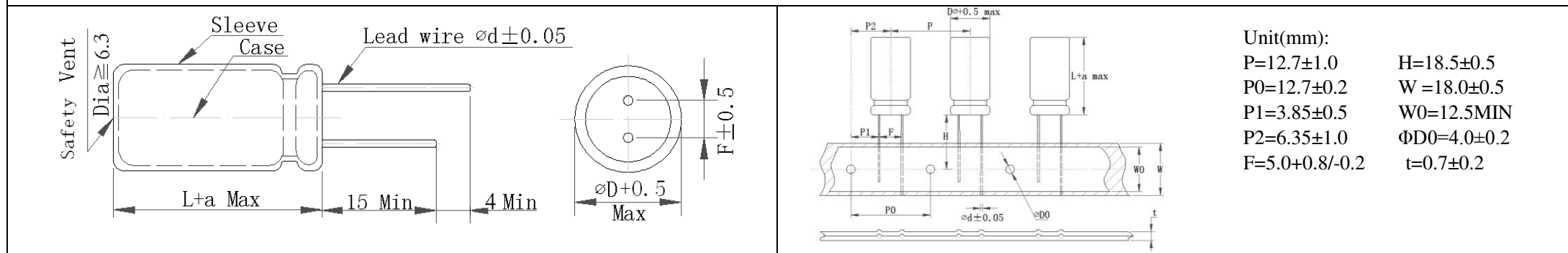
PART NUMBER SYSTEM(Example : 200V 82µF)

K	J	2	D	8	2	0	M	N	N	1	2	3	0				
---	---	---	---	---	---	---	---	---	---	---	---	---	---	--	--	--	--

Special Request
Size code(1230 : 12.5×30)
Lead length code
Lead forming Type code
Capacitance tolerance code(M: ±20%)
Capacitance code (82µF)
Voltage code (200V)
Series code (KJ)

Aluminum Electrolytic Capacitor

Customer	Digi-Key	SERIES	KJ	NO.:	PUBLISH DATE	2022-03-25
-----------------	-----------------	---------------	-----------	-------------	---------------------	-------------------



Unit(mm):
P=12.7±1.0 H=18.5±0.5
P0=12.7±0.2 W =18.0±0.5
P1=3.85±0.5 W0=12.5MIN
P2=6.35±1.0 ΦD0=4.0±0.2
F=5.0+0.8/-0.2 t=0.7±0.2

Original

FIG-1

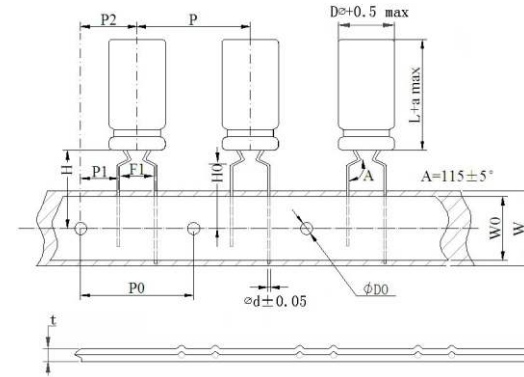
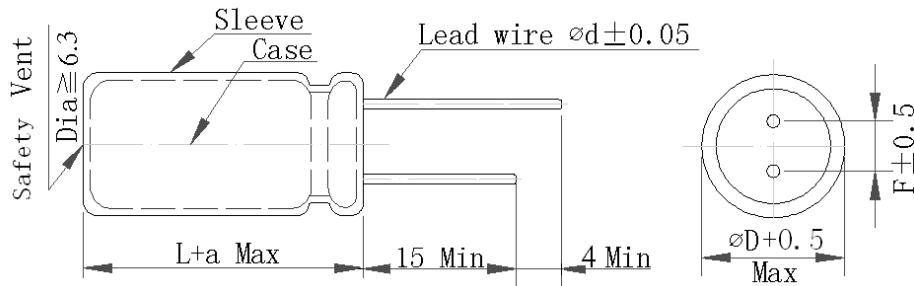
No.	CHINSAN Part No.	Customer Part No.	Capacitance (uF)	Tolerance On rated Capacitance (%)	Working Voltage (Vdc)	Surge Voltage (Vdc)	Category Temp Range (°C)	Tanδ @ 25°C (120Hz) (Max)	Leakage Current (uA) (2 min.)	Rated Ripple Current (mA rms) @ 105°C 120Hz	Rated Ripple Current (mA rms) @ 105°C 100kHz	ESR @25°C (mΩ max/ 120Hz)	Impedance @20°C (mΩ max/ 100kHz)	Endurance @ 105°C (Hours)	Dimensions (mm)					Appearance Drawing No
															DΦ	L	a	d	F	
1	KJ2W100MP51016	/	10 μF	±20%	450 V	/	-25~+105	/	/	/	330	/	/	10000	10	16	/	/	5	FIG-1
2	KJ2G100MNN1016	/	10 μF	±20%	400 V	/	-25~+105	/	/	125	/	/	/	10000	10	16	/	/	5	Original
3	KJ2G101MNN18N3	/	100 μF	±20%	400 V	/	-25~+105	/	/	770	/	/	/	12000	18	31.5	/	/	7.5	Original
4	KJ2W150MNN1020R	/	15 μF	±20%	450 V	/	-40~+105	/	/	190	475	/	/	10000	10	20	/	/	5	Original
5	KJ2D220MP51020	/	22 μF	±20%	200 V	/	-25~+105	/	/	/	470	/	/	10000	10	20	/	/	5	FIG-1

※Test leakage current before testing dissipation factor and capacitance during the electric characteristic test.

REMARKS:	APPROVED BY	CHECKED BY	PREPARED BY
Sleeve Color: Black.	张洪斌	曾爱娥	梁慧妍

Aluminum Electrolytic Capacitor

Customer	Digi-Key	SERIES	KJ	NO.:	PUBLISH DATE	2022-03-25
-----------------	-----------------	---------------	-----------	-------------	---------------------	-------------------



Unit(mm):

P=12.7±1.0	H0=16.0±0.5
P0=12.7±0.2	W=18.0±0.5
P1=3.85±0.5	W0=12.5MIN
P2=6.35±1.0	ΦD0=4.0±0.2
F1=5.0+0.8/-0.2	H=18.5±0.5
t=0.7±0.2	

Original

FIG-1

No.	CHINSAN Part No.	Customer Part No.	Capacitance (uF)	Tolerance On rated Capacitance (%)	Working Voltage (Vdc)	Surge Voltage (Vdc)	Category Temp Range (°C)	Tanδ @ 25°C (120Hz) (Max)	Leakage Current (uA) (2 min.)	Rated Ripple Current (mA rms) @ 105°C 120Hz	Rated Ripple Current (mA rms) @ 105°C 100kHz	ESR @25°C (mΩ max/ 120Hz)	Impedance @20°C (mΩ max/ 100kHz)	Endurance @ 105°C (Hours)	Dimensions (mm)					Appearance Drawing No
															DΦ	L	a	d	F1	
1	KJ2G6R8MP50815D	/	6.8 μF	±20%	400 V	/	-25~+105	/	/	90	/	860	/	8000	8	15	/	/	5	FIG-1

※Test leakage current before testing dissipation factor and capacitance during the electric characteristic test.

REMARKS:	APPROVED BY	CHECKED BY	PREPARED BY
Sleeve Color: Black.	张洪斌	曾爱娥	梁慧妍